

Internal Blower

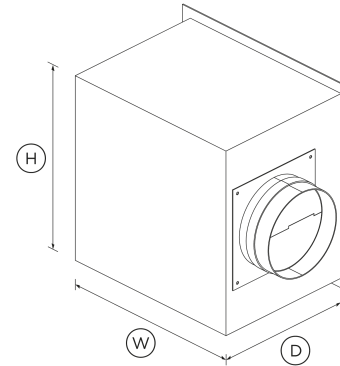
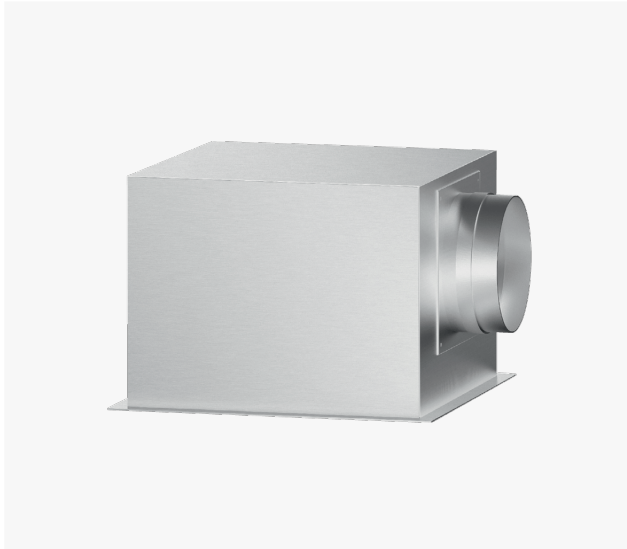
Depth

13 "

Width

10 "

Professional



SKU

50046

The product dimensions and specifications in this page apply to the specific product and model. Under our policy of continuous improvement, these dimensions and specifications may change at any time. You should therefore check with Fisher & Paykel's Customer Care Centre to ensure this page correctly describes the model currently available. © Fisher & Paykel Appliances Ltd 2020

Other product downloads available at fisherpaykel.com

- [↓ Archicad](#)
- [↓ Revit](#)
- [↓ Rhino](#)
- [↓ Right To Repair Declaration \(English, Canadian French\)](#)
- [↓ SketchUp](#)
- [↓ Installation & User Guide \(English, Canadian French\)](#)

This remote internal blower can be placed anywhere, working with one of our downdraft range hoods for faster and more efficient extraction.

- Can be paired with our downdraft range hoods, such as models HD36 and HD30
- Powerful 600CFM maximum airflow

DIMENSIONS

Height	13 "
Width	10 "

SPECIFICATIONS

Installation and cleaning

Air outlet size **10" "**

Power Requirements

Rated current **15 A**
 Supply frequency **60 Hz**
 Supply voltage **120 V**

Product Dimensions

Depth **13 "**
 Height **13 "**

Where applicable:

All appliances use energy, and energy usage typically generates carbon emissions. **Fisher & Paykel Appliances' In-use Energy Carbon Emissions Estimate** indicates carbon emissions from a product's in-use energy. This is calculated either annually or per cycle, using the product's market-specific energy label energy consumption data multiplied by the carbon emissions factor for energy in your country or region.

Our In-use Energy Carbon Emissions Estimate is designed to assist customers in making informed purchasing decisions when comparing different Fisher & Paykel products. For example, a heat pump dryer typically has a lower In-use Energy Carbon Emissions Estimate than a vented dryer.



A PEACE OF MIND SALE
24 Hours 7 Days a Week Customer Support
T 1.888.936.7872 W www.fisherpaykel.com