

# Oven, 60cm, 11 Function, Self-cleaning

Series 9 | Contemporary

Stainless Steel

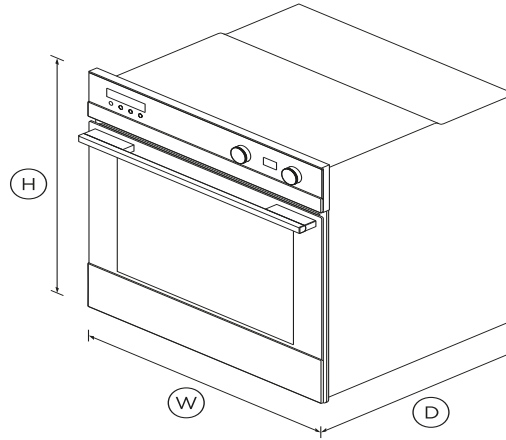


A highlight of the Fisher & Paykel collection, this Series 9 oven ensures that every dish you create is cooked to perfection.

- 85L total capacity with 11 oven functions including Roast and Pastry Bake
- Moisture level control with ActiveVent™ technology
- Pyrolytic self-cleaning function breaks down food residue for an easy clean
- Non-tip, full-extension shelves for safe removal of hot dishes

## DIMENSIONS

Height	598 mm
Width	596 mm
Depth	565 mm



## FEATURES & BENEFITS

### Multi-function Flexibility

11 functions including Roast, Pastry Bake and Fan Grill mean no matter what you're cooking, you've got the right heat to match.

### Generous capacity

With a generous sized internal cavity, you can create several dishes at once using multiple shelves.

### ActiveVent Technology

With ActiveVent technology for optimised moisture levels and AeroTech™ for even heat distribution, you'll get perfect results even when using multiple shelves.

### Cleaning is simple

Pyrolytic self-clean breaks down food residue at a very high temperature, leaving a light ash that's easily removed with a damp cloth.

### Seamless Fit

Designed to fit seamlessly in your kitchen, this built-in oven fits flush with cabinetry to minimise gaps and add to a cohesive aesthetic.

### Safe and sound

The CoolTouch door features triple glazing and a cooling system that ensures it's safe to touch from the outside – protecting both your hands and the surrounding cabinetry.

## SPECIFICATIONS

### Accessories

Contemporary round handle	81645 (optional)
Flat brushed baking tray	•
Flat wire shelf	•
Food probe	•
Full extension sliding shelves	2 sets
Grill rack	•
Pyrolytic proof shelf runners	1 set
Roasting dish	•
Smokeless grill tray	•
Step down wire shelf	•

### Capacity

Shelf positions	6
Total capacity	85L
Usable capacity	72L

**Cleaning**

- Acid resistant graphite enamel •
- Pyrolytic proof shelf runners •
- Pyrolytic self-clean •
- Removable oven door •
- Removable oven door inner •
- Removable shelf runners •

**Controls**

- Audio feedback •
- Automatic cooking/minute •
- Automatic pre-set •
- Behind glass capacitive touch •
- Celsius/Fahrenheit •
- Electronic clock •
- Electronic oven control •
- Interior light **2 x 25W halogen**
- Precise electronic temperature •
- Sabbath mode •

**Functions**

- Bake •
- Classic bake •
- Fan bake •
- Fan forced •
- Fan grill •
- Grill •
- Number of functions **11**
- Pastry Bake •
- Pyrolytic self-clean •

- Roast •
- Vent bake •
- Warm •

**Performance**

- ActiveVent™ system •
- AeroTech™ technology •
- Automatic rapid pre-heat •
- Grill power **3000W**
- Whisper quiet cooking •

**Power requirements**

- Amperage **12.8 - 13.8A**
- Supply frequency **50Hz**
- Supply voltage **220 - 240V**

**Product dimensions**

- Depth **565 mm**
- Height **598 mm**
- Width **596 mm**

**Safety**

- Advanced cooling system •
- Balanced oven door •
- Catalytic venting system •
- Control panel key lock •
- CoolTouch door •
- Full extension sliding shelves •
- Non-tip shelves •

**Warranty**

Parts and labour **2 years**

SKU 81572

TEST The product dimensions and specifications in this page apply to the specific product and model. Under our policy of continuous improvement, these dimensions and specifications may change at any time. You should therefore check with Fisher & Paykel's Customer Care Centre to ensure this page correctly describes the model currently available. ? Fisher & Paykel Appliances Ltd 2020

---

Other product downloads available at [fisherpaykel.com](http://fisherpaykel.com)



User Guide



Service & Warranty Booklet



Installation Guide



Resources (zip)



**A PEACE OF MIND SALE**

24 Hours 7 Days a Week Customer Support

T 1300 650 590 **W**[www.fisherpaykel.com](http://www.fisherpaykel.com)