

Vented Dryer, 7kg

Series 7 | Vented

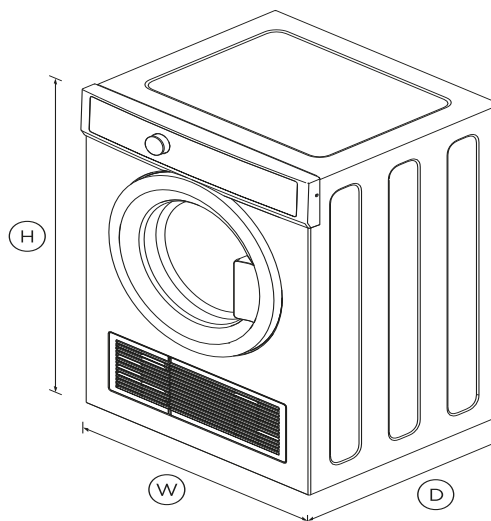
White



Dry your clothes efficiently without over drying, with multiple ways to install and vent.

DIMENSIONS

Height	830
Width	600
Depth	600



SPECIFICATIONS

Capacity	7kg
----------	-----

Dry Cycles

Air Dry	•
Air dry/Air fluff cycle	•
Bulky	•
Easy Iron	•

Everyday	•
Freshen	•
Heavy	•
Rack dry	•
Sports	•
Wrinkle Free	•

Features

Child/Keylock	•
Drying rack	•
Easy access lint filter	•
Easy invert panel	•
End of cycle signal	•
Progress indicator	•
Safety restart switch	•
SmartTouch™ control dial	•
Stainless steel drum	•
Wrinkle free option	•

Performance

Auto sensing	•
Choice of front or rear venting	•
Dryness settings	5
Reverse tumbling	•
Temperature settings	4





Product dimensions

Depth	600
Height	830
Width	600

SKU 92270

The product dimensions and specifications in this page apply to the specific product and model. Under our policy of continuous improvement, these dimensions and specifications may change at any time. You should therefore check with Fisher & Paykel's Customer Care Centre to ensure this page correctly describes the model currently available. ? Fisher & Paykel Appliances Ltd 2020

Other product downloads available at fisherpaykel.com

-  [User Guide](#)
-  [Service & Warranty Booklet](#)
-  [Installation Guide](#)
-  [Installation Guide \(Cavity Sizes\)](#)



A PEACE OF MIND SALE

24 Hours 7 Days a Week Customer Support

T 1300 650 590 W www.fisherpaykel.com