

# Integrated Column Refrigerator, 30"

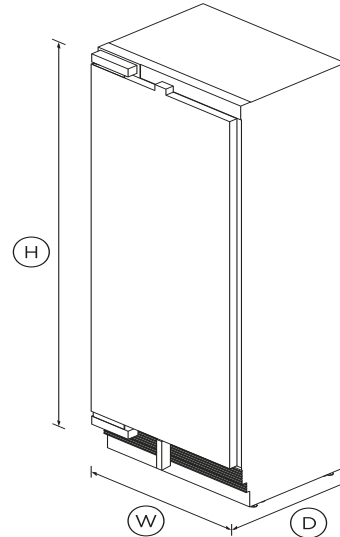
Series 9 | Integrated



Install it separately or pair with another Column for seamless kitchen integration - this model is left hinge with white interior.

## DIMENSIONS

Height	84
Width	29 <sup>3</sup> / <sub>4</sub>
Depth	24



## SPECIFICATIONS

### Accessories (sold separately)

Door panel stainless steel	24972
Joiner kit	24985
Toe kick stainless steel 30"	25392
Toe kick stainless steel 48"	25396
Toe kick stainless steel 54"	25398
Toe kick stainless steel 60"	25400

## Capacity

Volume refrigerator	16.3 cu ft
---------------------	------------

## Consumption

Energy usage	247kWh/year
--------------	-------------

## Features

Adjustable door shelves	4
Adjustable glass cantilevered	•
Covered door shelves	1
Door alarm	•
Gallon door shelves	1
LED bin lighting	•
LED ceiling lighting	•
LED side lighting	•
Soft-close fruit and vegetable	4
Stackable bottle holders	4 x clip in 4 x flexible

## Freezer Features

SmartTouch interface at	•
-------------------------	---

## Performance

ActiveSmart™ Foodcare	•
ActiveSmart™ technology	•
Adaptive defrost	•
Dual evaporator	•
Frost free	•
Frost free freezer	•
Humidity control system	•
Inverter controlled compressor	•

Sabbath mode	•
Variable food modes	Pantry; Fridge; Chill

---

**A PEACE OF MIND SALE**

24 Hours 7 Days a Week Customer Support

T 1.888.936.7872 W [www.fisherpaykel.com](http://www.fisherpaykel.com)**Power requirements**

Rated current	10A
Supply frequency	60Hz
Supply voltage	115V

---

**Product dimensions**

Depth	24
Depth (less door)	24"
Height	84
Width	29 <sup>3</sup> / <sub>4</sub>

---

**Product information**

Packaged weight	309lbs
Unpackaged weight	294lbs

---

**Warranty**

Parts and labour	2 years
Sealed system parts and labor	additional 3 years

---

SKU	24964
-----	-------

---

The product dimensions and specifications in this page apply to the specific product and model. Under our policy of continuous improvement, these dimensions and specifications may change at any time. You should therefore check with Fisher & Paykel's Customer Care Centre to ensure this page correctly describes the model currently available. ? Fisher & Paykel Appliances Ltd 2020