

# Freestanding French Door Refrigerator Freezer, 36", 20.1 cu ft, Ice & Water

Series 7 | Professional

Stainless Steel | French hinge

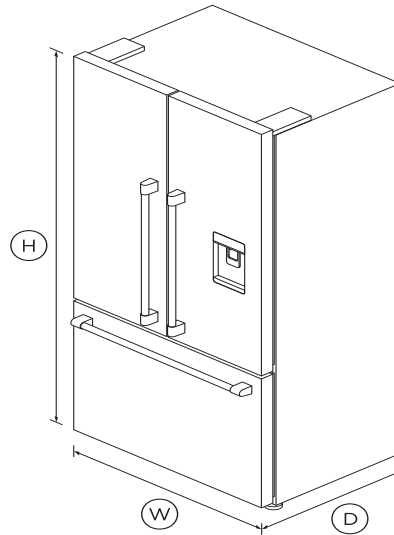


Styled like a refrigerator found in a professional kitchen, with serious storage capacity and stylish stainless steel finish.

- ActiveSmart™ technology helps keep food fresher for longer by constantly maintaining the ideal temperature
- Door water dispenser and internal ice maker
- Spacious bottom freezer with full extension drawer gives easy access to frozen goods

## DIMENSIONS

Height	70 3/4"
Width	35 7/16"
Depth	27 3/8"



## FEATURES & BENEFITS

### ACTIVESMART™ FOODCARE

ActiveSmart™ Foodcare learns how you live. It's technology which understands how you use your refrigerator and adjusts temperature, airflow and humidity inside to help keep food fresher for longer.

### DESIGN QUALITY

Our refrigerators are designed and built using quality materials. We use real stainless steel on our refrigerators, hidden hinges and solid glass for shelving.

### CLEVER ENERGY

Your refrigerator adapts to daily use by cooling and defrosting only when needed. This means your refrigerator uses the energy it needs without compromising on food care.

### WATER ON TAP

The slimline dispenser makes it easy to fill almost any sized jug or vessel with cool filtered water and doesn't take up any storage space in your fridge.

### HUMIDITY CONTROL

Your fruit and veges need different environments. The humidity control slides in each storage bin create a microclimate that helps keep food fresher for longer.

### ICE MAKER

Fresh ice is always available for you in a dedicated freezer bin. Simply turn it off to free up freezer space or during busy times, you can boost ice production by up to 30%.

### EASY CLEANING

Spill-safe secure glass shelves easily capture any drips or leaks.

## SPECIFICATIONS

### Accessories

Contemporary round handle	25377
Matching Replacement Water	FWC3

### Capacity

Total gross capacity	20.1cu ft
Volume freezer	5.5cu ft
Volume refrigerator	14.6cu ft

### Consumption

Energy rating	Energy star
---------------	-------------

Energy usage **532kWh/year**

**Features**

Adjustable door shelves	<b>6</b>
Adjustable glass shelves	<b>3</b>
Covered door shelves	<b>2</b>
Deli storage bins	<b>2</b>
Door alarm	<b>•</b>
Fruit and vegetable bins	<b>2</b>
LED lighting	<b>•</b>
SmartTouch control panel	<b>•</b>
Soft close doors	<b>•</b>
Stackable bottle holders	<b>4</b>
Ultra slim water dispenser	<b>•</b>
Water Filter	<b>836848</b>
Wi-Fi connectivity	<b>•</b>

**Freezer Features**

Automatic ice maker	<b>•</b>
Bottle chill	<b>•</b>
Door alarm	<b>•</b>
Fast freeze	<b>•</b>
Ice Boost	<b>•</b>
Ice bin and scoop	<b>•</b>
LED lighting	<b>•</b>

**Performance**

ActiveSmart™ Foodcare	<b>•</b>
Adaptive defrost	<b>•</b>
Frost free freezer	<b>•</b>

Humidity control system	<b>•</b>
Sabbath mode	<b>•</b>

**Power requirements**

Rated current	<b>10A</b>
Supply frequency	<b>60Hz</b>
Supply voltage	<b>115V</b>

**Product dimensions**

Depth	<b>27 3/8"</b>
Height	<b>70 3/4"</b>
Width	<b>35 7/16"</b>

**Warranty**

Parts and labor	<b>2 years</b>
Sealed system parts and labor	<b>additional 3 years</b>

SKU	<b>26305</b>
-----	--------------

The product dimensions and specifications in this page apply to the specific product and model. Under our policy of continuous improvement, these dimensions and specifications may change at any time. You should therefore check with Fisher & Paykel's Customer Care Centre to ensure this page correctly describes the model currently available. ? Fisher & Paykel Appliances Ltd 2020

**Other product downloads available at fisherpaykel.com**

- [↓](#) User Guide
- [↓](#) Service & Warranty
- [↓](#) Energy Label Freestanding French Door Refrigerator Freezer
- [↓](#) Installation Guide
- [↓](#) Installation Guide - Quick Reference
- [↓](#) Data Sheet Freestanding French Door Fridge Freezer



**A PEACE OF MIND SALE**

**24 Hours 7 Days a Week Customer Support**

**T 1.888.936.7872 Wwww.fisherpaykel.com**