

16.8 cu ft Series 7 French Door Refrigerator Freezer, Ice & Water

Contemporary

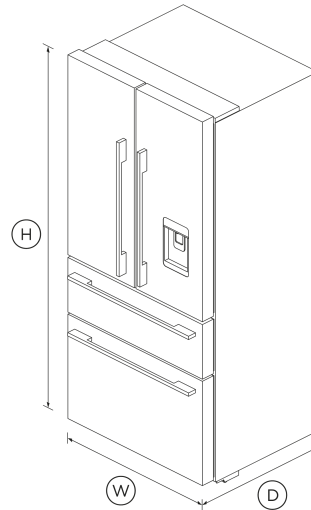


Designed for those who need plenty of flexible space. Counter-depth design, with a stylish stainless steel finish for a seamless look.

- ActiveSmart™ technology helps keep food fresher for longer by constantly maintaining the ideal temperature.
- Door water dispenser and internal ice maker with boost function
- Spacious bottom freezer with easy-slide internal drawers to separate storage
- With SmartTouch control panel for ease of use

DIMENSIONS

Height	70 1/2 "
Width	31 1/8 "
Depth	27 1/16 "



FEATURES & BENEFITS

Activesmart™ Foodcare

ActiveSmart™ Foodcare learns how you live. It is technology which understands how you use your refrigerator and adjusts temperature, airflow and humidity inside to help keep food fresher for longer.

Easy Slide Drawers

With two independent freezer drawers and adjustable internal shelving and storage options, this refrigerator can be configured to suit your constantly changing needs.

Ultra Slim Water Dispenser

The slimline water dispenser is easy to use. The angled water delivery means that almost any size or shape of vessel can be filled, while taking up no storage space in the door.

Ice Maker

The internal ice maker delivers fresh ice to a dedicated freezer bin. Simply turn it off to free up freezer space or during busy times boost ice production by up to 30%.

Design Quality

Our refrigerators are designed and built using quality materials. We use real stainless steel, brilliant LED lighting, and solid glass for the interior shelving.

Easy To Organize

There are multiple storage options for you to choose from. Different sized adjustable shelves and door storage give you plenty of room to stack and pack all your groceries. Full extension runners make it easy to remove storage bins and clean them out.

SPECIFICATIONS

Accessories (sold separately)

Water filter replacement	847201 - FWC4
--------------------------	---------------

Capacity

Total gross capacity	16.8 cu ft
Volume freezer	6.2 cu ft
Volume refrigerator	10.6 cu ft

Consumption

Energy rating	Energy Star	Frost free freezer	•
<hr/>		Humidity control system	•
Features		Internal replacable water filter	•
Adjustable door shelves	8	Inverter controlled compressor	•
Cantilevered glass shelves	4	R600a refrigerant	•
cantileveredGlassShelves	4	Sabbath mode	•
Covered door shelves	2	<hr/>	
Door alarm	•	Product dimensions	
Front levelling feet	•	Depth	27 1/16 "
Fruit and vegetable bins	2	Height	70 1/2 "
Full extension runners	•	Minimum air clearance at rear	1 3/16 "
LED lighting	•	Minimum air clearance each side	1 3/16 "
Rear rollers	•	Minimum air clearance on top	1 3/16 "
SmartTouch control panel	•	Width	31 1/8 "
Stackable bottle holders	4	<hr/>	
Ultra slim water dispenser	•	SKU	24885

Freezer Features

Automatic ice maker	•
Bottle chill	•
Door alarm	•
Fast freeze	•
Ice bin and scoop	•
Ice Boost	•
LED Lighting	•

Performance

ActiveSmart™ Foodcare	•
-----------------------	---

The product dimensions and specifications in this page apply to the specific product and model. Under our policy of continuous improvement, these dimensions and specifications may change at any time. You should therefore check with Fisher & Paykel's Customer Care Centre to ensure this page correctly describes the model currently available. © Fisher & Paykel Appliances Ltd 2020

Other product downloads available at fisherpaykel.com

- [↓](#) DWG
- [↓](#) DXF
- [↓](#) Data Sheet (English)
- [↓](#) Energy Label (English, Canadian French)

- [↓](#) Water Filter Replacement Instructions - Parts 847200 and 847201 (English)
- [↓](#) Water Filter Replacement Instructions - Parts 847200 and 847201 (French)
- [↓](#) Right To Repair Declaration (English, Canadian French)
- [↓](#) Installation & User Guide (English)
- [↓](#) Installation & User Guide (Canadian French)

Where applicable:

All appliances use energy, and energy usage typically generates carbon emissions. **Fisher & Paykel Appliances' In-use Energy Carbon Emissions Estimate** indicates carbon emissions from a product's in-use energy. This is calculated either annually or per cycle, using the product's market-specific energy label energy consumption data multiplied by the carbon emissions factor for energy in your country or region.

Our In-use Energy Carbon Emissions Estimate is designed to assist customers in making informed purchasing decisions when comparing different Fisher & Paykel products. For example, a heat pump dryer typically has a lower In-use Energy Carbon Emissions Estimate than a vented dryer.



A PEACE OF MIND SALE
24 Hours 7 Days a Week Customer Support
 T 1.888.936.7872 Wwww.fisherpaykel.com