

FISHER & PAYKEL

DATA SHEET DishDrawer™ Dishwasher 600mm Single Integrated - Tall

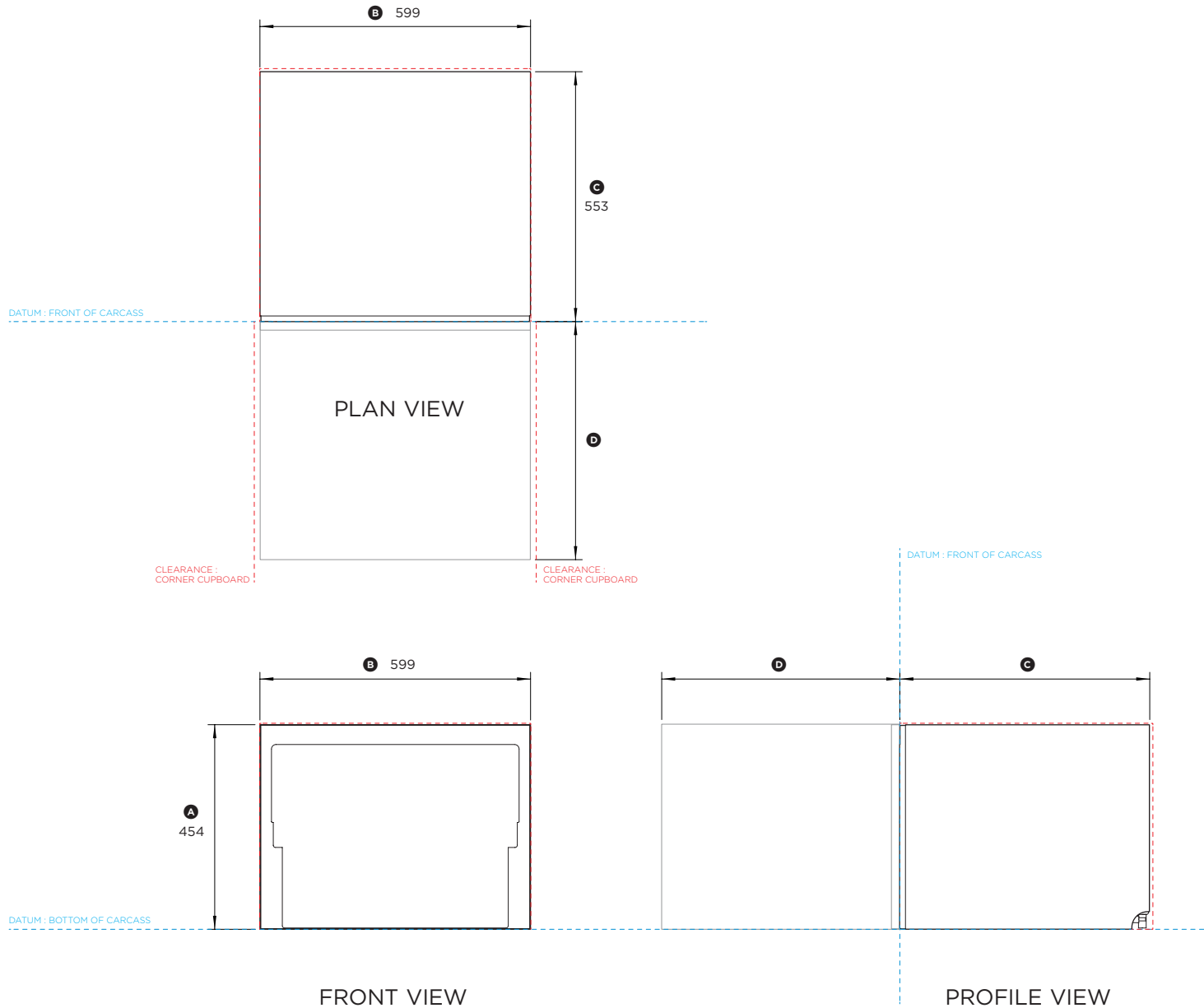
Model no:
DD60STX6I, DD60STX6HI

Product Dimensions	mm
Ⓐ Overall height*	454
Ⓑ Overall width*	599
Ⓒ Depth of chassis	553
Ⓓ Depth of drawer opening*	527

* Does not include the custom drawer panel or handle to be manufactured and fitted by cabinetmaker.

Note: Service outlet at rear extends both sides, hoses and cords can be routed to either or both.

Minimum Clearances	mm
Minimum inside height of cavity from bottom datum**	456
Minimum inside width of cavity	600
Minimum inside depth of cavity from front datum	560
Minimum height of ventilation gap under custom drawer panel with external venting kit installed	2
Minimum gap from top of custom drawer panel to bottom of benchtop	2
Minimum clearance from a corner cupboard	13



INDICATES CABINETRY / PRODUCT DATUM -----
INDICATES CABINETRY CLEARANCES - - - - -

DATE: **08.03.2021**

IMPORTANT NOTE: Throughout this guide, dimensions may vary by $\pm 2\text{mm}$ (1/16"). Please read the installation manual for detailed information on installing the product. For full installation instructions & specifications visit fisherpaykel.com

FISHER & PAYKEL

CUSTOM PANEL PREPARATION DishDrawer™ Dishwasher 600mm Single Integrated - Tall

Model no:
DD60STX6I, DD60STX6HI

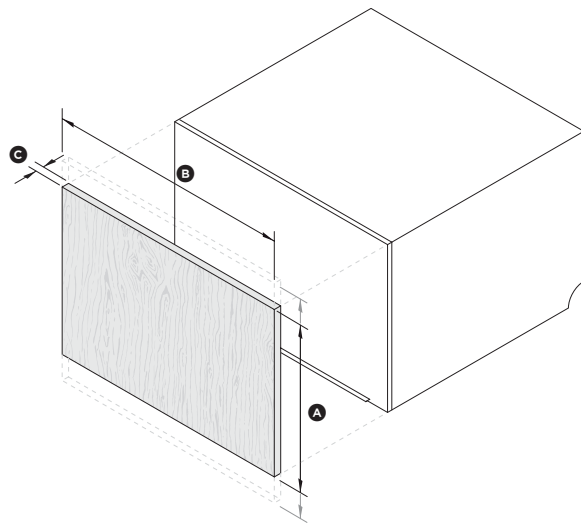
Custom Panel Dimensions	mm
Ⓐ Minimum height of panel*	452
Ⓑ Minimum width of panel	596
Ⓒ Depth of panel	16-20
Ⓓ Minimum height of gap above & below panel	2
Maximum weight of panel (including handle)	9 kg

* For 456mm cavity height and 2mm cabinetry gap below drawer panel.

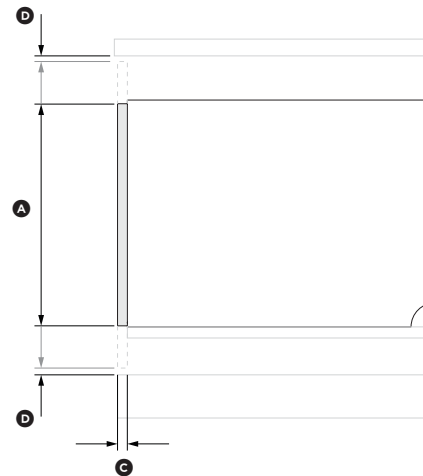
Drawer panel may be extended up and/or down to fit taller cavity.
See installation instructions for full clearance details.

NOTE: If venting to the toe kick area, a minimum toe kick height of 100mm is required to prevent pooling of condensation.

NOTE: There is no minimum toe kick height for venting the DishDrawer™ Dishwasher through the floor below the cabinetry, the space below the floor however, must be a sub-area of the house and have adequate airflow.



ISO VIEW



PROFILE VIEW

INDICATES CABINETRY / PRODUCT DATUM -----

INDICATES CABINETRY CLEARANCES -----

DATE: **08.03.2021**

IMPORTANT NOTE: Throughout this guide, dimensions may vary by $\pm 2\text{mm}$ (1/16"). Please read the installation manual for detailed information on installing the product. For full installation instructions & specifications visit fisherpaykel.com