

Combination Steam Oven, 60cm, 23 Function

Series 11 | Contemporary

Stainless Steel



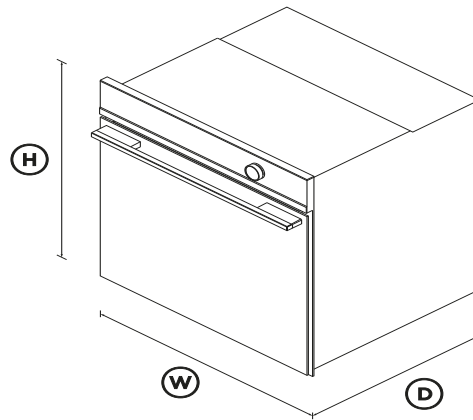
This Contemporary style oven has 23 functions with additional oven accessories, to effortlessly create healthy and delicious dishes.

- With steam-only cooking functions, convection-only, or a combination of both
- 23 oven functions including Steam, Sous Vide, Air Fry and Vent Bake
- Designed to match companion products such as Vacuum Seal Drawers

- Guided touchscreen cooking makes it simple to cook by food, function or recipe

DIMENSIONS

Height	598mm
Width	596mm
Depth	565mm



FEATURES & BENEFITS

From steam to sous vide

Fine amounts of steam are released with accuracy and precision at a range of temperatures to ensure food is cooked gently and evenly. Perfect for entertaining, you can sous vide proteins such as steak and salmon before guests arrive, and simply sear when ready to serve. The flexibility of timing and accuracy of

temperature control ensure perfect, predictable results every time.

Gentle and healthy

Steam functions allow you to cook food in its own juices to retain nutrients, moisture and flavour. With five steam-only cooking functions including Sous Vide, plus four combi-steam functions, this oven lets you enjoy the benefits of flavourful and healthy restaurant-quality meals at home.

Multi-Function Flexibility

A true multi-function oven, where the advantages of steam and convection cooking can be explored in full. You have the freedom to choose – whether it's dry heat, moist heat, or a combination of the two, each cooking method creates a unique result. Purchase our Wireless Temperature Sensor accessory and precisely monitor cooking in real time (accessory sold separately).

Multi-Function Flexibility

Each function has been tailored, tested and perfected to ensure that no matter what you're cooking, you've got the right heat to match. Purchase our Wireless Temperature Sensor accessory and precisely monitor cooking in real time (accessory sold separately).

Reheat And Restore

Reduce household food waste by reheating foods with steam, which helps to regenerate moisture levels and ensure meals come out fresh and delicious. Use Steam Regenerate to reheat leftover meals such as roasts and risotto, while Crisp Regenerate is perfect for refreshing pastries, breads and pizza.

Complementary design

Every detail has been carefully crafted from the finest materials to support a considered kitchen design. This Contemporary style oven has a stylish black finish with stainless steel contrasts, designed to help you achieve a kitchen aesthetic that suits your design style. Pair with a Vacuum Seal Drawer for the ultimate kitchen solution.

Exceptional convection performance

AeroTech™ circulates heat evenly for a consistent temperature throughout the cavity, while ActiveVent technology ensures optimised moisture levels when using convection functions. Achieve perfect results even when you're using multiple shelves.

SPECIFICATIONS

Accessories

Chromed shelf runners	•
Descalc solution	2 sachets, Part 580925
Flat brushed baking tray	1
Full extension sliding shelves	2 sets
Grill rack	1 set
Large solid dish	1
Perforated large dish	1
Perforated small dish	1
Roasting dish	1
Smokeless grill tray	1
Step down wire shelf	1
Wired temperature sensor	1

Capacity

Shelf positions	6
Total capacity	85L
Usable capacity	72L
Water tank capacity	1.5L

Cleaning

Acid resistant graphite enamel	•
Descalc cycle	•
Drying cycle	•

Removable oven door	•
Removable oven door inner	•
Removable shelf runners	•
Removable water tank	•
Steam clean (oven)	•

Controls

Adjustable audio and display	•
Audio feedback	•
Automatic cooking/minute	•
Automatic pre-set	•
Celsius/Fahrenheit	•
Certified Sabbath mode	•
Delay start	•
Electronic clock	•
Electronic oven control	•
Food probe	•
Guided cooking by food type	•
Halogen lights	•
Intuitive touchscreen display	•
Multi-language display	UK English, US English,
Soft close doors	•
Turned stainless steel dials	•

Functions

Air fry	•
Bake	•
Classic bake	•
Crisp regenerate	•
Fan bake	•

Fan forced	•
Fan forced + High steam	•
Fan forced + Low steam	•
Fan forced + Medium steam	•
Fan grill	•
Grill	•
Number of functions	23
Pastry Bake	•
Pizza bake	•
Roast	•
Slow cook	•
Sous vide	•
Steam	•
Steam clean (oven)	•
Steam defrost	•
Steam proof	•
Steam regenerate	•
Vent bake	•
Warm	•

Performance

ActiveVent System	•
AeroTech Technology	•
Automatic rapid pre-heat	•
Grill power	3000W
SteamTechnology	•
Temperature range	35°C - 230°C
Whisper quiet cooking	•

Power requirements

Amperage	15A
Supply frequency	50Hz
Supply voltage	220 - 240V

**A PEACE OF MIND SALE**

24 Hours 7 Days a Week Customer Support

T 400 640 8777 W www.fisherpaykel.com**Product dimensions**

Depth	565mm
Height	598mm
Width	596mm

Safety

Balanced oven door	•
Catalytic venting system	•
Control panel key lock	•
CoolTouch door	•
Non-tip shelves	•
Safety thermostat	•

Warranty

Parts and labour	1 year
------------------	--------

SKU	82873
-----	-------

The product dimensions and specifications in this page apply to the specific product and model. Under our policy of continuous improvement, these dimensions and specifications may change at any time. You should therefore check with Fisher & Paykel's Customer Care Centre to ensure this page correctly describes the model currently available. ? Fisher & Paykel Appliances Ltd 2020