

**76CM BUILT-IN OVENS AND COMPANIONS  
CONTEMPORARY STAINLESS STEEL**

---

# PLANNING GUIDE

---

**SERIES 9**

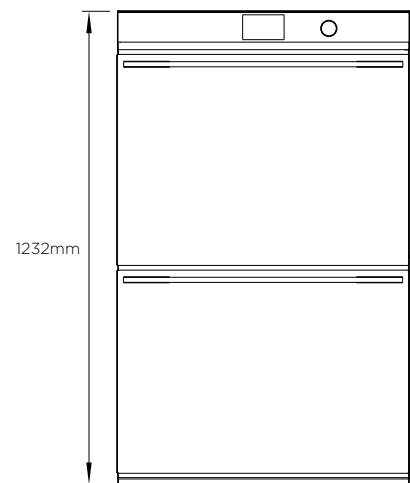
OB76DDPTDX2 | OB76SDPTDX2 | OS76NDTDX1 | OM76NDTDX1 |  
EB60DSX1 | TK7630NDX1

**FISHER & PAYKEL**

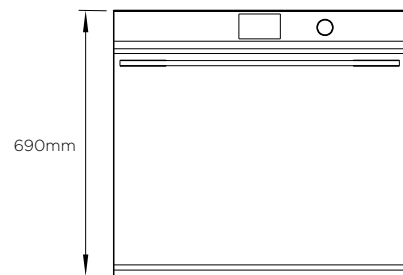
This comprehensive Planning Guide provides you with the framework and tools to achieve your desired design outcome with Fisher & Paykel appliances. In this guide, you will find a range of conceptual, detailed, and dimensional product information to bring your ideas to life and create spaces that truly reflect your vision.

CONCEPT DESIGN	PAGE	DEVELOPED AND DETAILED DESIGN	PAGE	DEVELOPED AND DETAILED DESIGN	PAGE
<b>Design Choices</b>	<b>4</b>				
<b>Specification Guides Oven</b>		Planning Guide information for Developed and Detailed Design available in <b>Q3 2024</b>			
Built-In Double Oven	<b>6</b>				
Built-In Oven	<b>8</b>				
<b>Specification Guides Steam &amp; Microwave Ovens</b>					
Combination Steam Oven	<b>10</b>				
Combination Microwave Oven	<b>11</b>				
<b>Specification Guides Coffee Maker</b>					
Built-In Coffee Maker with Trim Kit	<b>13</b>				

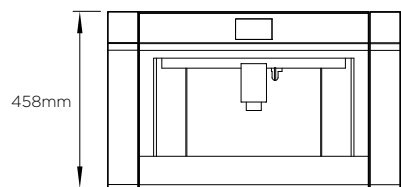
## DESIGN CHOICES



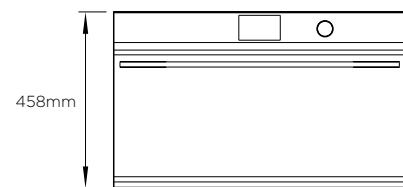
①



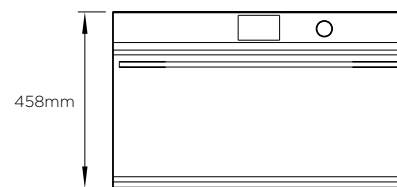
②



③



④



⑤

### PRODUCT OVERVIEW

① **OB76DDPTDX2**

Built-In Double Oven, 5" Touchscreen, Dial Control

② **OB76SDPTDX2**

Built-In Oven, 5" Touchscreen, Dial Control

③ **OS76NDTDX1** (AVAILABLE Q3, 2024)

Combination Steam Oven, 5" Touchscreen, Dial Control

④ **OM76NDTDX1** (AVAILABLE Q3, 2024)

Combination Microwave Oven, 5" Touchscreen, Dial Control

⑤ **EB60DSX1 (Trim Kit TK763ONDX1)**

Built-in Coffee Maker, 4.3" Touchscreen

### CONSIDERATION

Different configurations possible, consider product heights for side-by-side installation.

# **SPECIFICATION GUIDE**

## SERIES 9



### OVERVIEW

Enhance your kitchen design with the refined styling of the 76cm Double Oven. Complementing the other products in our Contemporary Stainless Steel collection, you can create a coherent, considered look with ease. Intuitive controls and the performance to deliver perfect results make this double oven beautiful to use.

### PRODUCTS

#### OB76DDPTDX2

Double Oven, 76cm, 17 Function, Self-cleaning, 115L + 115L, Touchscreen, Dial Controls, Stainless Steel

### SERIES & STYLE

Series 9  
Contemporary Stainless Steel

### FEATURES

- ① Designed to fit flush with cabinetry
- ② Styled to perfectly match our Contemporary Stainless Steel kitchen appliances
- ③ Generous 115L total capacity per oven, 230L total capacity
- ④ Intuitive, large 5" touchscreen display with illuminated dial
- ⑤ Guided cooking and recipes
- ⑥ Perfect results from a variety of oven functions
- ⑦ Even heat distribution throughout with AeroTech™ technology
- ⑧ Self-cleaning
- ⑨ CoolTouch door
- ⑩ Wi-Fi/Connected capability through the SmartHQ™ app

### ACCESSORIES

- ① Full-extension sliding shelves\*
- ② Self-cleaning-proof side racks\*
- ③ Roasting dish, tray and rack\*
- ④ Wired Temperature Sensor\*

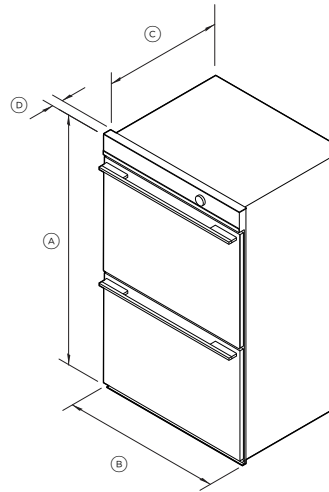
\*Included with product



**SPECIFICATIONS**

<b>Model No.</b>	OB76DDPTDX2
<b>Dimensions</b>	<b>H</b> 1232mm <b>W</b> 760mm <b>D</b> 609mm
<b>Total Oven Capacity</b>	115L per oven
<b>Weight</b>	
Packaged	184kg
<b>Electrical</b>	
Supply	220-240 V, 50 Hz
Service	40 A

**PRODUCT DIMENSIONS**

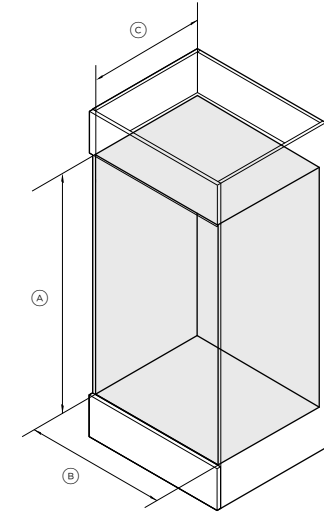


ISO VIEW

	mm
(A) Overall height	1232
(B) Overall width	760
(C) Depth of chassis	569
(D) Thickness of oven front and control panel (excl. handle and dials)	40
Depth of upper door when fully open (measured from front of control panel)	550
Depth of lower door when fully open (measured from front of control panel)	530

Note: If installing with other Contemporary Stainless Steel products, consider trim front thickness.

**CAVITY DIMENSIONS: STANDARD INSTALLATION**



ISO VIEW

	mm
(A) Minimum inside height of cavity	1224
(B) Minimum inside width of cavity	724
(C) Minimum inside depth of cavity for flush installation	615



**OVERVIEW**

Enhance your kitchen design with the refined styling. Complementing the other products in our Contemporary Stainless Steel collection, you can create a coherent, considered look with ease. Intuitive controls and the performance to deliver perfect results make this oven beautiful to use.

**PRODUCTS**

**OB76SDPTDX2**  
Oven, 76cm, 17 Function, 15L, Touchscreen, Dial Controls, Stainless Steel

**SERIES & STYLE**

Series 9  
Contemporary Stainless Steel

**FEATURES**

- ① Designed to fit flush with cabinetry
- ② Styled to perfectly match our Contemporary Stainless Steel kitchen appliances
- ③ Generous 115L total capacity
- ④ Intuitive, large 5" touchscreen display with illuminated dial
- ⑤ Guided cooking and recipes
- ⑥ Perfect results from a variety of oven functions
- ⑦ Even heat distribution throughout with AeroTech™ technology
- ⑧ Self-cleaning
- ⑨ Wireless temperature sensor precisely monitors cooking in real time
- ⑩ Wi-Fi/Connected capability through the SmartHQ™ app

**ACCESSORIES**

- ① Full-extension sliding shelves\*
- ② Self-cleaning-proof side racks\*
- ③ Roasting dish, tray and rack\*
- ④ Wired Temperature Sensor\*
- ⑤ Wireless Temperature Sensor - Part WTSC1

\*Included with product

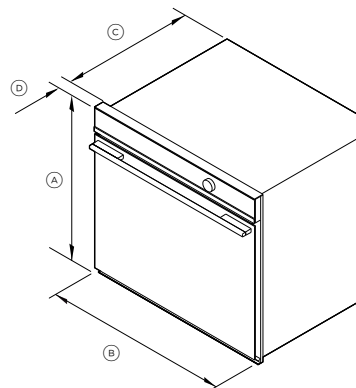
The models shown in this Planning Guide may not be available in all markets and are subject to change at any time. Product specifications may vary from those shown. This Planning Guide should not be used as installation guidance for any product. Further information is required to safely and correctly install the products featured here. Specific installation guidance will be available on our website [fisherpaykel.com](http://fisherpaykel.com)



**SPECIFICATIONS**

<b>Model No.</b>	OB76SDPTDX2
<b>Dimensions</b>	<b>H</b> 690mm <b>W</b> 760mm <b>D</b> 609mm
<b>Total Oven Capacity</b>	115L
<b>Weight</b>	
Packaged	110kg
<b>Electrical</b>	
Supply	220-240 V, 50 Hz
Service	20 A

**PRODUCT DIMENSIONS**

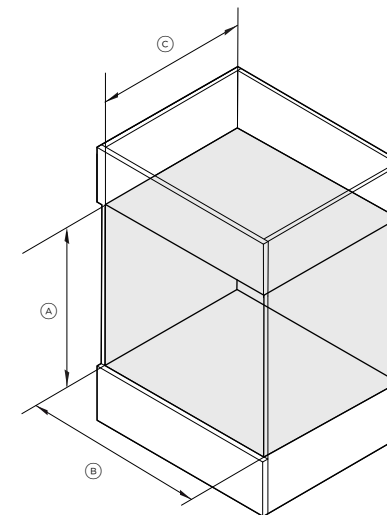


ISO VIEW

	mm
Ⓐ Overall height	690
Ⓑ Overall width	760
Ⓒ Depth of chassis	569
Ⓓ Thickness of oven front and control panel (excl. handle and dials)	40
Depth of door when fully open (measured from front of control panel)	550

Note: If installing with other Contemporary Stainless Steel products, consider trim front thickness.

**CAVITY DIMENSIONS: STANDARD INSTALLATION**



ISO VIEW

	mm
Ⓐ Minimum inside height of cavity	681
Ⓑ Minimum inside width of cavity	724
Ⓒ Minimum inside depth of cavity for flush installation	615



## OVERVIEW

With timeless Contemporary Stainless Steel styling, the Combination Steam Oven fits seamlessly into any kitchen. As a companion product, this oven is designed to install easily and fit perfectly with other companion products such as the Vacuum Seal Drawer. It features 23 functions, including steam-only, convection-only, or a combination of both. Reduce the need for oils and fats with six standalone steam functions, perfect for creating flavourful and healthy restaurant-quality meals at home. Beautiful to use, the large 5" touchscreen interface has simple and intuitive guided cooking, helping to ensure perfect results.

## PRODUCTS

### OS76NDTDX1

Convection Speed Oven, 76cm, 23 Function

## SERIES & STYLE

Series 9  
Contemporary Stainless Steel

## FEATURES

- ① Contemporary Stainless Steel style, designed to fit flush with cabinetry
- ② With 55L total capacity
- ③ Intuitive, large 5" touchscreen display with illuminated dial
- ④ 23 oven functions, including six steam-only functions
- ⑤ Guided touchscreen cooking makes it simple to cook by food, function or recipe
- ⑥ Moisture control and even heat distribution thanks to ActiveVent and AeroTech™ technology
- ⑦ Motorised control panel reveals large 1.5L water tank
- ⑧ Wi-Fi/Connected capability through the SmartHQ™ app
- ⑨ Wireless Temperature Sensor precisely monitors cooking in real time
- ⑩ Soft open and close door

## ACCESSORIES

- ① Full-extension sliding shelves\*
- ② Step down wire shelf\*
- ③ Roasting dish, tray and rack\*
- ④ Wireless Temperature Sensor - WTSC1
- ⑤ Descale solution - 2 sachets, Part 580925

\*Included with product

The models shown in this Planning Guide may not be available in all markets and are subject to change at any time. Product specifications may vary from those shown. This Planning Guide should not be used as installation guidance for any product. Further information is required to safely and correctly install the products featured here. Specific installation guidance will be available on our website [fisherpaykel.com](https://fisherpaykel.com)



### OVERVIEW

With timeless Contemporary Stainless Steel styling, the Combination Microwave Oven fits seamlessly into any kitchen. As a companion product, this Microwave Oven is designed to install easily and fit perfectly with other companion products such as the Combination Steam Oven, or Vacuum Seal Drawer. A flexible appliance that pairs the speed of microwave cooking with oven technology, which can crisp and brown as it cooks. Featuring 22 cooking functions on an intuitive touch display for easy programming of desired cooking mode and duration.

### PRODUCTS

#### OM76NDTDX1

Combination Microwave Oven, 76cm, 22 Function

### SERIES & STYLE

Series 9  
Contemporary Stainless Steel

### FEATURES

- ① Contemporary Stainless Steel style, designed to fit flush with cabinetry
- ② With 49L total capacity
- ③ Intuitive, large 5" touchscreen display with illuminated dial
- ④ With 22 functions: four microwave, 14 oven and four combination
- ⑤ A Wired Temperature Sensor precisely monitors cooking in real time
- ⑥ Guided cooking, with the option to access additional functionality via the SmartHQ™ app\*
- ⑦ Wi-Fi/Connected capability through the SmartHQ™ app
- ⑧ Soft open and close door

### ACCESSORIES

- ① Chromed shelf runners\*
- ② Glass tray\*
- ③ Wire shelf\*
- ④ Wired Temperature Sensor\*

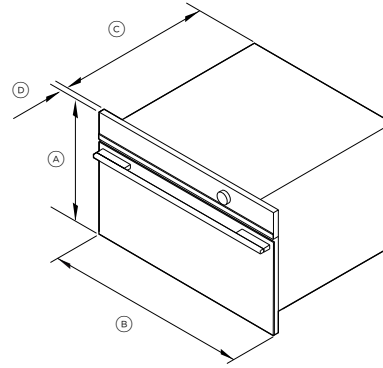
\*Included with product

The models shown in this Planning Guide may not be available in all markets and are subject to change at any time. Product specifications may vary from those shown. This Planning Guide should not be used as installation guidance for any product. Further information is required to safely and correctly install the products featured here. Specific installation guidance will be available on our website [fisherpaykel.com](http://fisherpaykel.com)

**SPECIFICATIONS**

<b>Model No.</b>	OS76NDTDX1, Combination Steam Oven OM76NDTDX1, Combination Microwave Oven
<b>Dimensions</b>	<b>H</b> 458mm <b>W</b> 760mm <b>D</b> 565mm
<b>Total Oven Capacity</b>	
OS76NDTDX1	55L
OM76NDTDX1	49L
<b>Weight</b>	
Packaged	55kg
Unpackaged	46kg
<b>Electrical</b>	
Supply	220-240 V, 50 Hz
Service	20 A

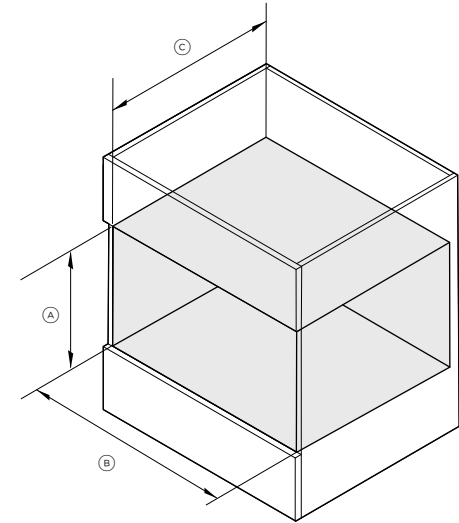
**PRODUCT DIMENSIONS**



ISO VIEW

	mm
(A) Overall height	458
(B) Overall width	760
(C) Depth of chassis	545
(D) Thickness of oven front and control panel (excl. handle and dials)	20
Depth of door when fully open (measured from front of control panel)	320

**CAVITY DIMENSIONS: STANDARD INSTALLATION**



ISO VIEW

	mm
(A) Minimum inside height of cavity	440
(B) Minimum inside width of cavity	724
(C) Minimum inside depth of cavity for flush installation	570

Note: Combination Microwave Oven requires ventilation at the rear of the cavity.



### OVERVIEW

The Built-in Coffee Maker features a stylish stainless steel finish and can be installed in multiple configurations to suit kitchen design and preference. With 13 beverage options, our Coffee Maker is designed to consistently pour delicious coffee – from Flat White to Latte or Americano. Favourite coffee can be memorised and set to start at the same time each day, while the conical burr grinder delivers a consistent grind for the perfect coffee.

### PRODUCTS

#### EB60DSX1

Built-in Coffee Maker, 60cm, Touchscreen, Stainless Steel

#### TK7630NDX1

Companion Trim Kit, 76cm, Stainless Steel

Note: Trim Kit purchased separately

### SERIES & STYLE

Series 9  
Contemporary Stainless Steel

### FEATURES

- ① Designed to pair perfectly with 76cm ovens and companion products
- ② Stylish stainless steel finish
- ③ Install in multiple configurations to suit your kitchen design
- ④ Intuitive touch display
- ⑤ 13 functions to suit any taste and selection – from Espresso to Latte
- ⑥ Personalised coffee and smart self-learning menu preferences
- ⑦ Stainless steel conical burr grinder with 13 coarseness positions
- ⑧ 15 bar pump pressure
- ⑨ Self-cleaning function and easy to empty coffee grounds container and drip tray
- ⑩ 2.5L water tank capacity

### ACCESSORIES

- ① Thermal milk jug 0.5L\*
- ② Water filter\*
- ③ Coffee spoon\*
- ④ Extractable steam outlet\*
- ⑤ Descaling agent bottle\*

\*Included with product

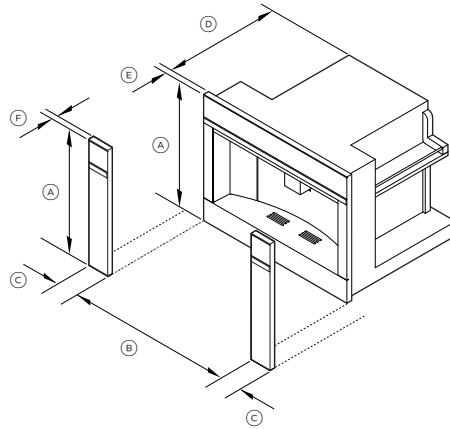


The models shown in this Planning Guide may not be available in all markets and are subject to change at any time. Product specifications may vary from those shown. This Planning Guide should not be used as installation guidance for any product. Further information is required to safely and correctly install the products featured here. Specific installation guidance will be available on our website [fisherpaykel.com](https://fisherpaykel.com)

**SPECIFICATIONS**

<b>Model No.</b>	EB60DSX1, Coffee Maker TK7630NDX1, Trim Kit
<b>Dimensions with Trim Kit</b>	<b>H</b> 458mm <b>W</b> 760mm <b>D</b> 480mm
<b>Weight - EB24DSX1</b>	
Packaged	33kg
Unpackaged	24kg
<b>Electrical</b>	
Supply	220-240 V, 50 Hz
Service	10 A

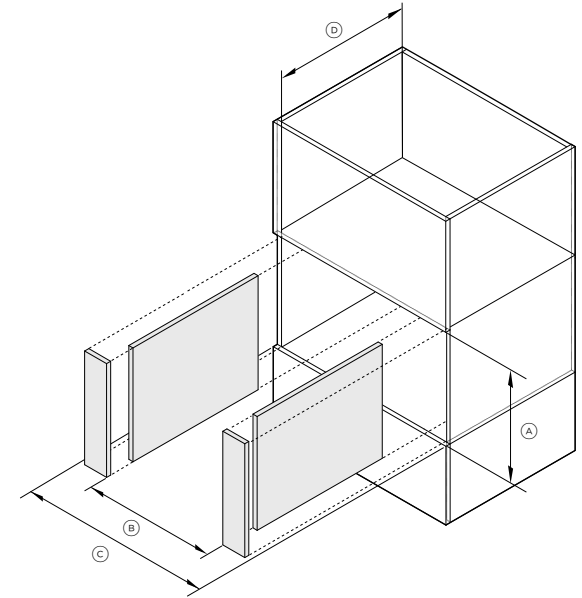
**PRODUCT DIMENSIONS**



ISO VIEW

	mm
(A) Overall height of coffee maker and trim kit	458
(B) Overall width of coffee maker	596
(C) Width of trim kit	79
(D) Depth of coffee maker chassis	460
(E) Thickness of coffee maker front and control panel	20
(F) Thickness of trim kit front	20

**CAVITY DIMENSIONS: STANDARD INSTALLATION**



ISO VIEW

	mm
(A) Minimum inside height of cavity	440
(B) Minimum inside width of cavity*	560
(C) Width needed to include trim within cabinetry	760
(D) Minimum inside depth of cavity with trim for flush installation	580

\*Cabinetry requires additional vertical sidewalls to secure the product

Note: Ventilation required at the rear of the cavity.

