

Oven, 60cm, 7 Function, Self-cleaning

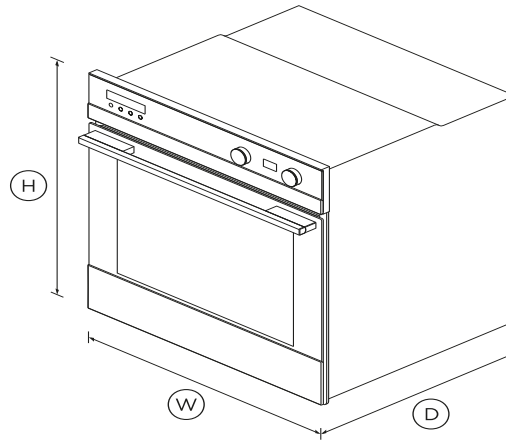
Series 5 | Contemporary



With generous capacity and beautiful contemporary styling, this built-in oven will complement your kitchen design perfectly.

DIMENSIONS

| | |
|--------|-----|
| Height | 598 |
| Width | 596 |
| Depth | 565 |



SPECIFICATIONS

Accessories

| | |
|--------------------------------|------------------------|
| Chromed shelf runners | • |
| Full extension sliding shelves | Optional (part 565048) |
| Grill rack | • |
| Roasting dish | • |

Accessories (sold separately)

| | |
|-----------------------|------------|
| Optional round handle | Part 81645 |
|-----------------------|------------|

Capacity

| | |
|-----------------|---|
| Shelf positions | 6 |
|-----------------|---|

Cleaning

| | |
|--------------------------------|-------|
| Acid resistant graphite enamel | • |
| Pyrolytic proof shelf runners | 1 set |
| Pyrolytic self-clean | • |
| Removable oven door | • |
| Removable oven door inner | • |
| Removable shelf runners | • |

Controls

| | |
|--------------------------|---|
| Audio feedback | • |
| Automatic cooking/minute | • |
| Automatic pre-set | • |
| Celsius/Fahrenheit | • |
| Electronic clock | • |
| Electronic oven control | • |

Functions

| | |
|---------------------|---|
| Bake | • |
| Classic bake | • |
| Fan bake | • |
| Fan forced | • |
| Fan grill | • |
| Grill | • |
| Number of functions | 7 |
| Pastry Bake | • |

| | |
|-----------------------------|---|
| Pastry Bake with Pizza mode | • |
| Roast | • |

SKU 81875



A PEACE OF MIND SALE

24 Hours 7 Days a Week Customer Support

T 08000 886 605 Wwww.fisherpaykel.com

Performance

| | |
|--------------------------|--------------|
| ActiveVent™ system | • |
| AeroTech™ technology | • |
| Automatic rapid pre-heat | • |
| Grill power | 3000W |
| Whisper quiet cooking | • |

The product dimensions and specifications in this page apply to the specific product and model. Under our policy of continuous improvement, these dimensions and specifications may change at any time. You should therefore check with Fisher & Paykel's Customer Care Centre to ensure this page correctly describes the model currently available. ? Fisher & Paykel Appliances Ltd 2020

Power requirements

| | |
|------------------|---------------------|
| Amperage | 12.8 - 13.8A |
| Supply frequency | 50Hz |
| Supply voltage | 220 - 240V |

Product dimensions

| | |
|--------|------------|
| Depth | 565 |
| Height | 598 |
| Width | 596 |

Safety

| | |
|--------------------------|---|
| Balanced oven door | • |
| Catalytic venting system | • |
| Control panel key lock | • |
| CoolTouch door | • |
| Non-tip shelves | • |

Warranty

| | |
|------------------|----------------|
| Parts and labour | 5 years |
|------------------|----------------|