

FISHER & PAYKEL

COFFEE MAKER

EB60DSX1, EB60MSG1 & EB60MSB1 models

INSTALLATION GUIDE

NZ AU GB IE SG

CONTENTS

Safety and warnings	4
Parts supplied	5
Prior to installation	5
After installation	5
Product dimensions	6
Cabinetry dimensions (460mm high cavity)	7
Cabinetry dimensions (480mm cavity trim kit)	8
Installation instructions	9
Connect the coffee maker to the mains supply	10
Final checklist	11

IMPORTANT SAFETY INSTRUCTIONS!

Installation

⚠ WARNING!	
	<p>Cut Hazard Take care - some edges are sharp. Failure to use caution could result in injury or cuts.</p>

Checking for transport damage

After removing the packaging, make sure the product is complete and undamaged and that all accessories are present. Do not use the appliance if it is visibly damaged. Contact Customer Care.

IMPORTANT!

- Installation must be performed by a qualified professional in compliance with legislation in force in the country of installation.
- The packing elements (plastic bags, polystyrene foam, etc.) should be kept out of reach of children.
- Never install the appliance in rooms where the temperature may drop to 0°C or lower.
- Customise the water hardness as soon as possible following the instructions in your user guide.
- This appliance can be installed over a built-in oven if the latter is fitted with a cooling fan at the rear (maximum microwave power: 3 kW).
- Connecting the appliance
- Danger! Check that the mains power supply voltage corresponds to the value indicated on the rating plate on the bottom of the appliance.
- Connect the appliance to an efficiently earthed and correctly installed socket with a minimum current rating of 10A only.
- Do not allow children and animals to stop or linger near the appliance when it is pulled out of the cabinet.
- If the power socket does not match the plug on the appliance, have the socket replaced with a suitable type by a qualified professional. To comply with safety directives, an omnipolar switch with a minimum contact distance of 3 mm must be installed.
- Do not use multiple sockets or extensions.

- If the power socket does not match the plug on the appliance, have the socket replaced with a suitable type by a qualified professional. To comply with safety directives, an omnipolar switch with a minimum contact distance of 3 mm must be installed.
- Do not use multiple sockets or extensions.
- Safety cutout devices must be included in the mains power supply in compliance with the installation regulations in the country concerned.
- This appliance conforms to EC Regulation 1935/2004 on materials and articles intended to come into contact with food.
- Do not allow children and animals to stop or linger near the appliance when it is pulled out of the cabinet-.
- Do not leave the machine pulled out of the cabinet when it is being used.
- Do not leave the machine pulled out of the cabinet when it is not needed.
- Install the machine according to the instructions in the handbook to guarantee there are no spills when it is pulled out from the cabinet.
- The rails fixing panel must have a thickness suited to the fixing screws supplied standard.
- The panel material must be suited to the machine weight of approximately 25kg.

DISPOSAL

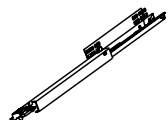
- The appliance must not be disposed of with household waste, but taken to an authorised waste separation and recycling centre.

PARTS SUPPLIED

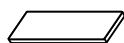


Screws
(28)

Rails (2)



Clip (1)

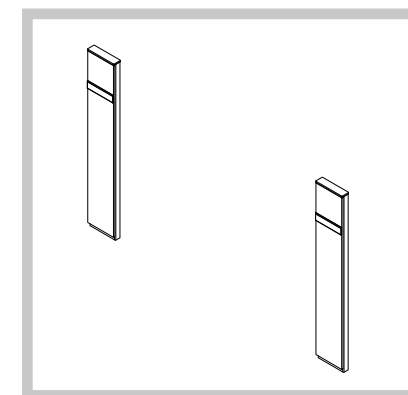


Spacers
(4) for side
(4) for bottom

PRIOR TO INSTALLATION

- The countertop and coffee maker cavity are square and level, and are the required dimensions.
- The installation will comply with all clearance requirements and applicable standards and regulations.
- The isolating switch will be easily accessible to the customer with the coffee maker installed.
- The electrician provides sufficient free length of power supply cable to reach from the bottom rear of the cavity to at least 1.5m in front of the bottom edge of the opening.
- The cable may enter the cavity from the side, top or bottom, but top entry must be at the rear of the cavity.
- The coffee maker connection socket (if fitted) is outside the cavity if the oven is flush to the rear wall.
- The coffee maker will rest on a surface that can support its weight.
- The height from the floor suits the customer.
- You consult local building authorities and by-laws if in doubt regarding installation.

Some environmental factors and cooking habits can cause condensation in and around the coffee maker during use. To protect surrounding cabinetry from possible damage caused by frequent or excessive condensation, we recommend moisture-proofing the cavity.



Optional Trim kit installation
If you are using a 762mm trim kit, refer to the separate Trim Kit Installation Guide.

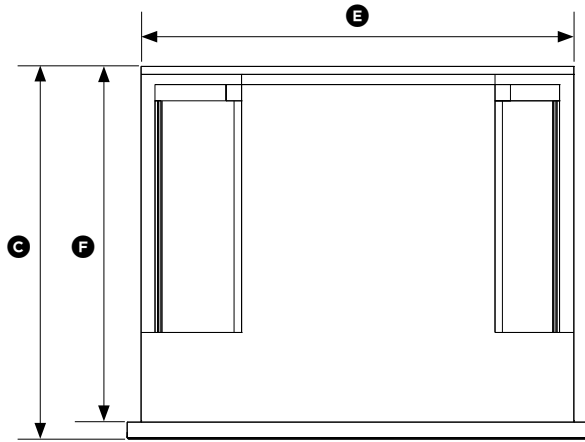
AFTER INSTALLATION

IMPORTANT!

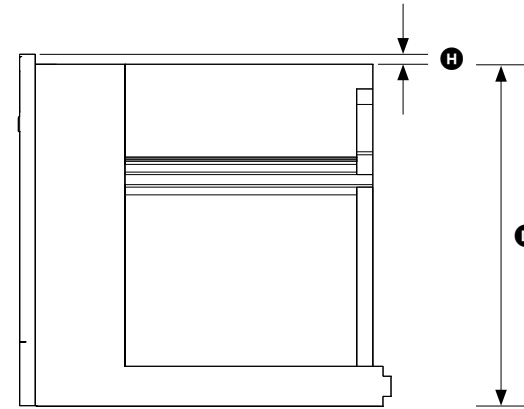
Take extra care not to damage the lower trim of the coffee maker during installation. The trim is important for correct air circulation and allows the door to open and close without obstruction. The manufacturer does not accept any responsibility for damage resulting from incorrect installation.

- The coffee maker can be used fully without obstruction.
- The power supply cable does not touch any hot metal parts.
- The isolating switch is easily accessible to the customer with the coffee maker installed.
- You complete the 'Final checklist' at the end of the installation.
- If, after following the instructions given, correct performance cannot be achieved, please contact your nearest Fisher & Paykel Authorised Service Center, Customer Care, or contact us through our local website listed at the end of this document.

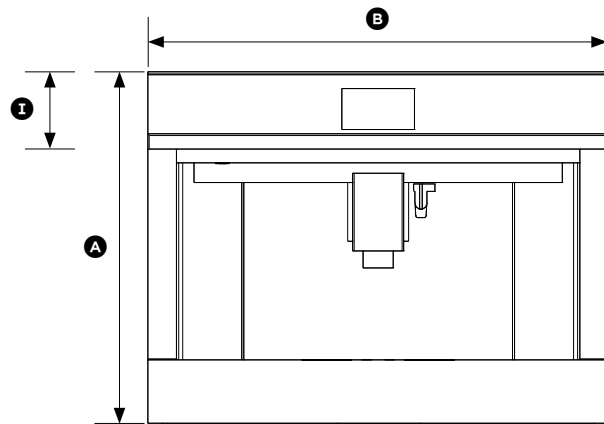
PRODUCT DIMENSIONS



TOP



SIDE



FRONT

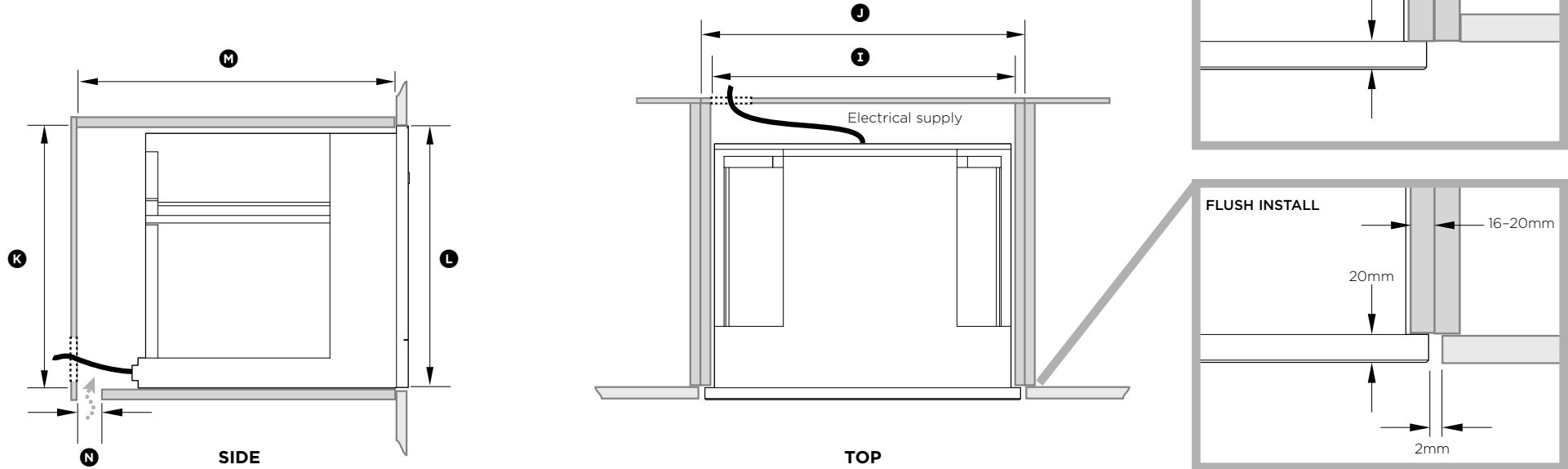
PRODUCT DIMENSIONS	EB60 MODELS
	mm
(A) Overall height of product	458
(B) Overall width of product	596
(C) Overall depth of product	480
(D) Height of chassis	445
(E) Width of chassis	560
(F) Depth of chassis	460
(G) Depth of coffee maker frame and control panel	20
(H) Stepdown control panel to chassis	13
(I) Height of control panel	100

CABINETY DIMENSIONS (460mm HIGH CAVITY)

Verify the minimum measurements required for correct installation of the appliance. The coffee maker must be installed in a column and the column must be firmly fixed to the wall with commercially available brackets.

IMPORTANT!

- All installation or maintenance operations must be performed with the appliance disconnected from the mains electricity supply.
- Kitchen furniture in direct contact with the appliance must be heat resistant 65°C min.
- To guarantee correct ventilation, leave a gap at the bottom of the cabinet (see measurements below).



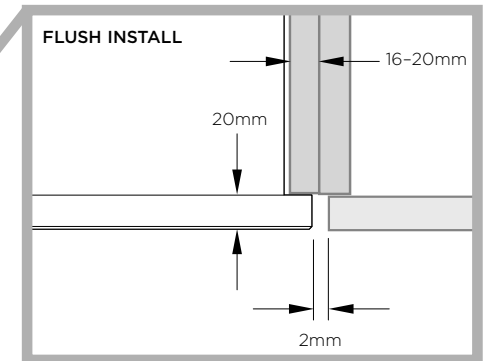
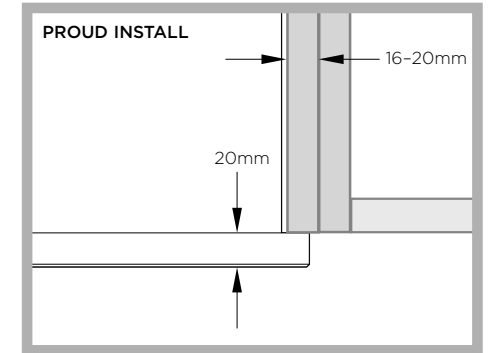
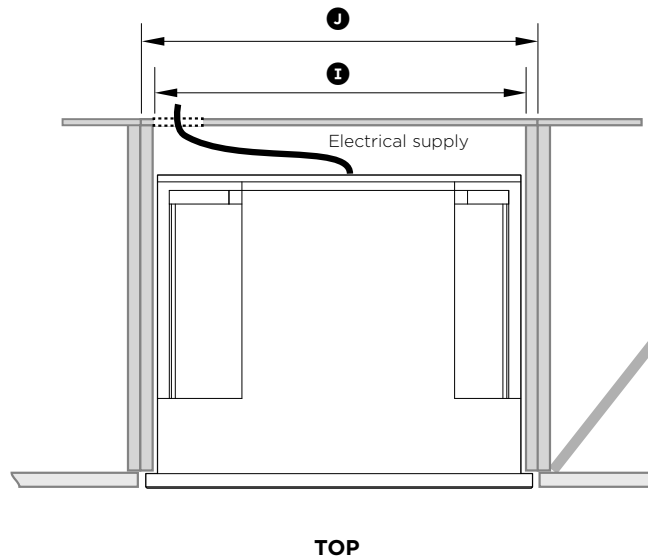
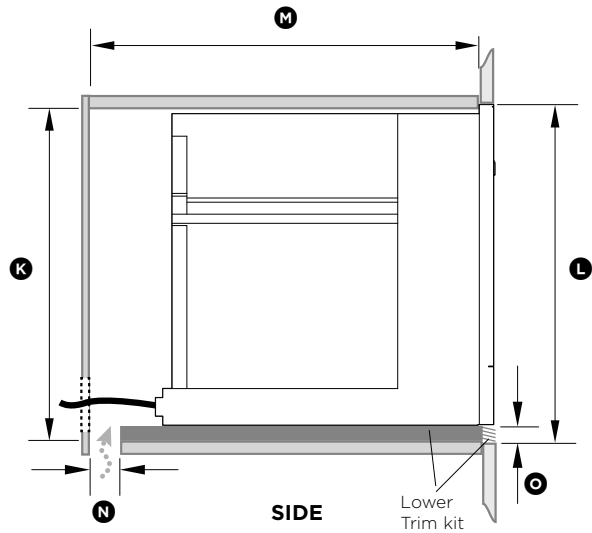
CABINETY DIMENSIONS	EB60 MODELS	
		mm
Ⓘ Minimum inside width of cavity		560
Ⓙ Overall width of cabinetry		600
Ⓚ Minimum inside height of cavity		450
Ⓛ Overall height of cabinetry		460
Ⓜ Minimum inside depth of cavity		545
Ⓝ Ventilation Air Gap		50

CABINETY DIMENSIONS (480mm CAVITY TRIM KIT)

Verify the minimum measurements required for correct installation of the appliance. The coffee maker must be installed in a column and the column must be firmly fixed to the wall with commercially available brackets.

IMPORTANT!

- All installation or maintenance operations must be performed with the appliance disconnected from the mains electricity supply.
- To guarantee correct ventilation, leave a gap at the bottom of the cabinet (see measurements below).

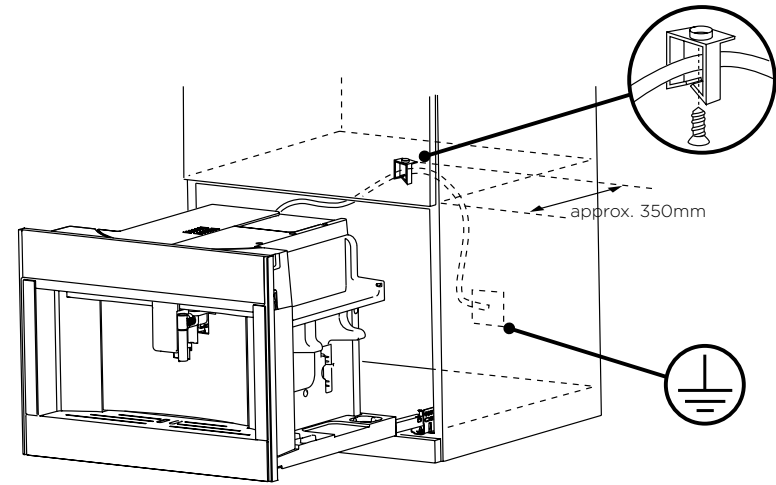
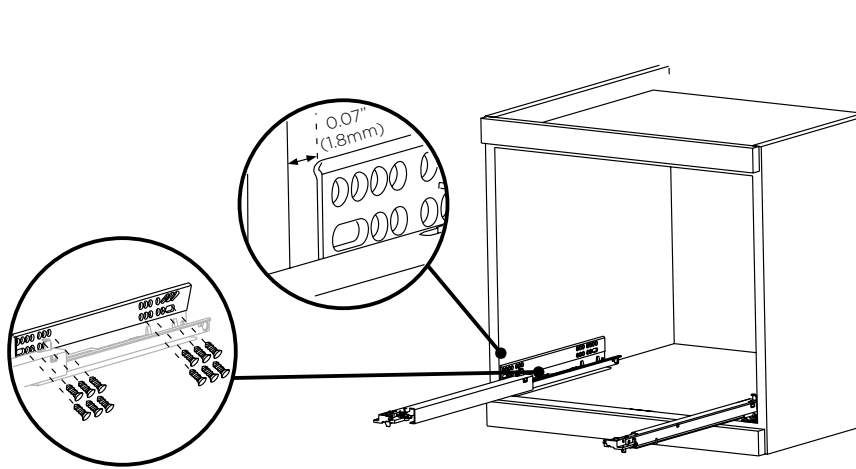


CABINETY DIMENSIONS

EB60 MODELS

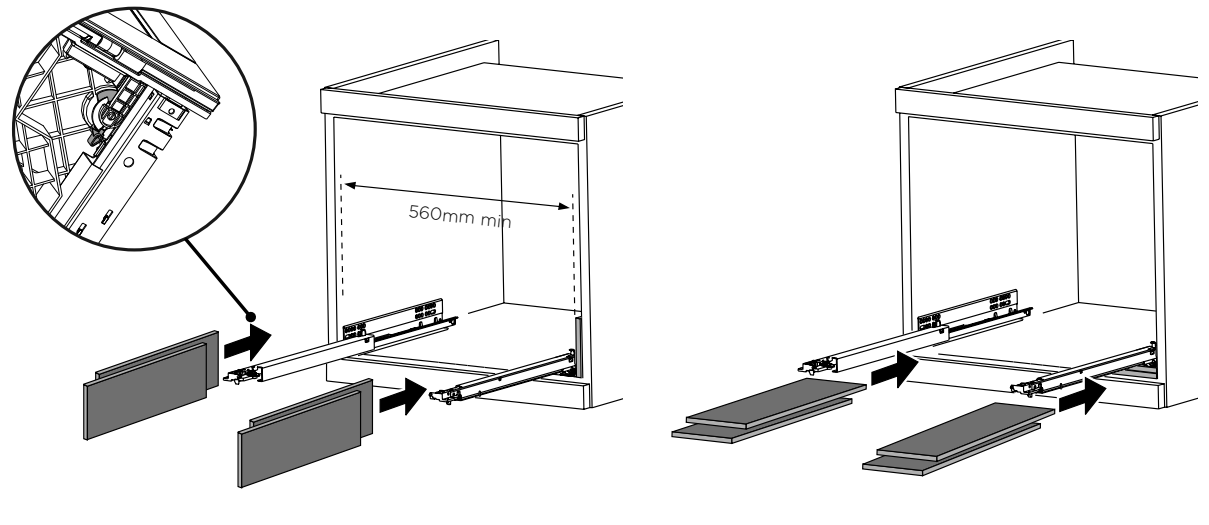
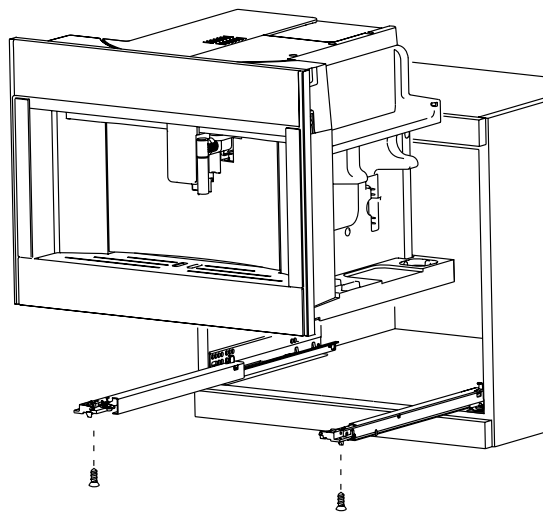
CABINETY DIMENSIONS		mm
Ⓢ	Minimum inside width of cavity	560
Ⓣ	Overall width of cabinetry	600
Ⓚ	Minimum inside height of cavity	470
Ⓛ	Overall height of cabinetry	480
Ⓜ	Minimum inside depth of cavity	545
Ⓝ	Ventilation air vent	50
Ⓞ	Height of trim kit	20

INSTALLATION INSTRUCTIONS



- ① Align the rails to the sides of the cabinet before securing using the provided screws. Extending both rails fully.
- If the coffee maker is installed over a warmer drawer, use the top surface of this as a reference to position the rails.
 - In this case, there will be no surface to rest the rails on.

- ② Fix the power cable with the clip. The power cable must be long enough to allow the appliance to be pulled out from the cabinet to fill the coffee bean container.
- The appliance must be earthed in compliance with legislation.
 - Electrical connections must be performed by a qualified electrician following the instructions.



- ③ Position the appliance on the rails, making sure the pins are correctly inserted in the housings, then fix it with the screws supplied. If the height of the appliance requires adjusting, use the spacer disks provided.

- ④ If required, the alignment of the coffee maker can be adjusted by placing the supplied spacers either under or to the sides of the rails.
- ⑤ To adjust the height of the coffee maker front by $\pm 2\text{mm}$, rotate the lever located where the coffee maker and rails meet.

CONNECT THE COFFEE MAKER TO THE MAINS SUPPLY

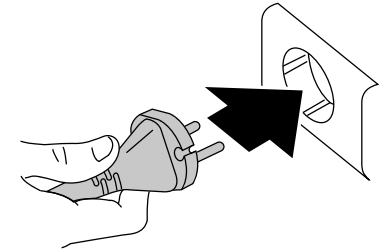
IMPORTANT!

- All electrical work may only be carried out by suitably qualified and competent persons in accordance with national and local safety regulations.
- This warming drawer must be earthed.

Before placing the coffee maker into the cavity, route the power cord into the back of the cavity and plug it in to the switched socket. The switched socket should be in an easily accessible area within 900mm of the centre rear of the product.

Power requirements

Model Code	Power	Voltage	Wattage	Hz
EB60	6.1 A	220-240 V	1350 W	50-60 Hz



FINAL CHECKLIST

✓ **TO BE COMPLETED BY THE INSTALLER**

- Make sure the coffee maker is level and securely fitted to the cabinetry.
- Check the lower trim is undamaged.
- Check there is adequate clearance. This is to ensure correct air circulation.
- Make sure any cable ties and internal packaging has been removed from the coffee maker cavity.
- Make sure all coffee maker vents and openings are clear and free of any obstruction or damage.

IMPORTANT!

Failure to make sure all vents are clear may result in poor product performance.

- Make sure the isolating switch is accessible by the customer.

TEST OPERATION:

- Turn the power to the coffee maker on. The display should light up.
- Have you demonstrated the basic operation to the customer?
- Fill the water tank to the indicated level.

Complete and keep for safe reference:

Model _____

Serial No. _____

Purchase Date _____

Purchaser _____

Dealer Address _____

Installer's Name _____

Installer's Signature _____

Installation Company _____

Installation Date _____

FISHERPAYKEL.COM

© Fisher & Paykel Appliances 2022. All rights reserved.

The models shown in this guide may not be available in all markets
and are subject to change at any time.

The product specifications in this guide apply to the specific products and
models described at the date of issue. Under our policy of continuous product
improvement, these specifications may change at any time.

For current details about model and specification availability in your country,
please go to our website or contact your local Fisher & Paykel dealer.

431184A 11.22