

Gas Range, 36", 5 Burners

Series 7 | Contemporary

Stainless Steel

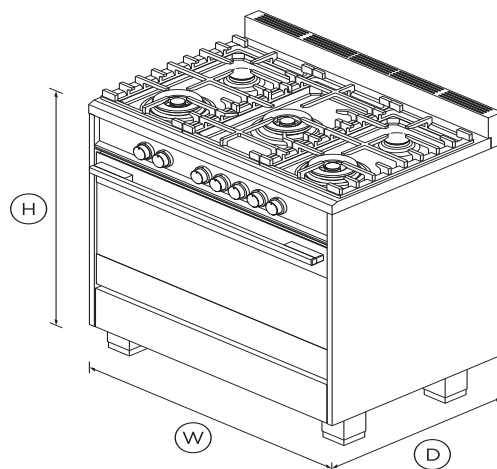


Make your range a focal point. With a large capacity oven and five burners, this is the perfect way to cook for a crowd.

- Five burner gas cooktop, including one dual ring and two triple ring wok burners
- Gas oven with large 4.9 cu ft total capacity and three functions

DIMENSIONS

| | |
|--------|---|
| Height | 35 ³ / ₄ - 37 ¹ / ₄ " |
| Width | 35 ⁷ / ₈ " |
| Depth | 25 ¹ / ₄ " |



FEATURES & BENEFITS

Performance power

Precise cooktop controls let you sear or stir fry over instant, powerful heat. Use the high burner power or simmer a delicate sauce using the gentlest of heats.

Design quality

This range has been carefully crafted in every detail from performance to durability using quality materials including the balanced soft-close door and rounded hob rail.

Large capacity

The large 4.9 cu ft capacity for this range gives you plenty of space to cook multiple dishes at the same time.

Easy cleaning

With its durable surface, your cooktop simply needs a quick wipe after cooking to keep it looking good as new for years to come.

SPECIFICATIONS

Accessories

| | |
|----------------------------------|----------------------|
| 2-pc grill system (Broil pan and | • |
| Broil pan | • |
| Chromed shelf runners | 1 set |
| Grill rack | • |
| Hob rear trim (optional) | 3 1/8" (part 81654) |
| Kick strip, stainless steel | Part 81659 |
| Small pot support | 1 (part 533981 cast) |
| Wok stand | 1 (part 534678) |

Capacity

| | |
|-----------------|-----------|
| Shelf positions | 7 |
| Total capacity | 4.9 cu ft |

Cleaning

| | |
|--------------------------------|---|
| Acid resistant graphite enamel | • |
| Dishwasher safe trivets | • |
| Removable oven door | • |
| Removable shelf runners | • |

Controls

| | |
|----------------|---|
| Interior light | • |
|----------------|---|

Laser etched graphics •

Gas requirements

Supply Pressure (LPG) **11" W.C.P**
 Supply Pressure (natural gas) **4" W.C.P**

Oven features

Concealed element •
 Electronic ignition •
 Full extension telescopic **2 sets (part 578744)**
 Internal light **4 x 25W halogen (2 side & 2)**
 Soft open/close door •
 Storage drawer •
 True convection •

Oven functions

Bake **17000BTU**
 Broil •
 Convection bake •
 Maxi Broil •
 Number of functions **3**

Oven performance

Bake **17000BTU**
 CoolTouch door **Quadruple glazed**

Power requirements

Amperage **1A**
 Supply frequency **60Hz**
 Supply voltage **120V**

Product dimensions

Depth **25 1/4 "**
 Height **35 3/4 - 37 1/4 "**
 Installation cutout dimensions **25 1/4 "**
 Installation cutout dimensions **36 "**
 Width **35 7/8 "**

Rangetop features

Dishwasher safe trivets •
 Hob rear trim **0 7/8"**
 LPG/Natural gas compatible •
 Sealed range top •

Rangetop Performance

Dual wok burner inner/outer **1000 - 18000BTU**
 Dual wok burner inner/outer **1000 - 18000BTU**
 Max burner power **18000BTU**
 Number of burner elements **5**
 Number of burners **5**
 Semi-rapid burner (LPG) x2 **1500 - 8000BTU**
 Semi-rapid burner (natural gas) **1500 - 8000BTU**
 Total cooktop power **62000BTU**
 Triple ring wok burner (LPG) **6100 - 14000BTU**
 Triple ring wok burner (natural) **6100 - 14000BTU**

Safety

Advanced cooling system •
 Anti-tilt bracket •

Balanced oven door •
 Full extension telescopic •
 Non-tip shelves •
 Spill containment **5/8 gallon**

Warranty

Parts and labor **2 years**

SKU **81300**

The product dimensions and specifications in this page apply to the specific product and model. Under our policy of continuous improvement, these dimensions and specifications may change at any time. You should therefore check with Fisher & Paykel's Customer Care Centre to ensure this page correctly describes the model currently available. Â© Fisher & Paykel Appliances Ltd 2019.

Other product downloads available at fisherpaykel.com



User Guide



Service & Warranty Booklet



Guide D'Utilisation



Installation Guide



A PEACE OF MIND SALE

24 Hours 7 Days a Week Customer Support

T 1300 650 590 **W** www.fisherpaykel.com