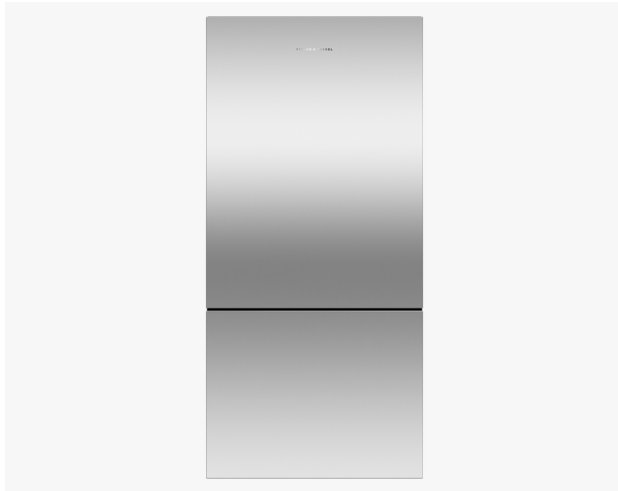


# Freestanding Refrigerator Freezer, 79cm, 494L

Series 5 | Contemporary

Stainless Steel | Left hinge

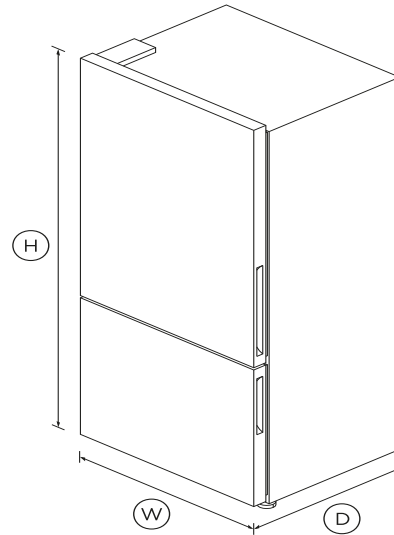


With ample storage and a stylish stainless steel finish, for a timeless look.

- ActiveSmart™ technology helps keep food fresher for longer by constantly maintaining the ideal temperature.
- Spacious bottom freezer with easy-slide internal drawers to separate storage

## DIMENSIONS

|        |        |
|--------|--------|
| Height | 1720mm |
| Width  | 790mm  |
| Depth  | 695mm  |



## FEATURES & BENEFITS

### Designed To Match

With their stylish stainless steel finish, our refrigerators are designed to match the rest of Fisher & Paykel's kitchen appliance family.

### Humidity Control

Your fruit and veges need different environments. The humidity control slides in each storage bin create a microclimate that helps keep food fresher for longer.

### Easy Cleaning

Removable, spill-safe glass shelves are easy to clean and contain drips and spills. Storage bins and white steel doors just need a wipe to keep spotless.

### Clever Energy

Your refrigerator adapts to daily use by cooling and defrosting only when needed. This means it uses the energy it needs without compromising on food care.

### Design Quality

Our refrigerators are designed and built using quality materials. We use real stainless steel on our fridges and solid glass for shelving.

### Simple storage

This refrigerator is designed to make it simple for you to store, access and remove food. Storage bins give you full access inside when they're pulled open and can be easily removed to clean. Our flexible shelving also gives you more storage options.

## SPECIFICATIONS

### Capacity

|                     |      |
|---------------------|------|
| Volume              | 494L |
| Volume freezer      | 146L |
| Volume refrigerator | 348L |

### Consumption

|                      |                  |
|----------------------|------------------|
| Energy rating        | 3 star           |
| Energy usage         | 467kWh/year      |
| In-use energy carbon | 304.2kgCO2e/year |

### Features

|                          |   |
|--------------------------|---|
| Adjustable door shelves  | 4 |
| Adjustable glass shelves | 4 |

|                          |   |
|--------------------------|---|
| Covered door shelves     | 2 |
| Door alarm               | • |
| Front levelling feet     | • |
| Fruit and vegetable bins | 2 |
| LED lighting             | • |
| Rear rollers             | • |
| Single bottle holders    | 2 |
| SmartTouch control panel | • |

**Freezer Features**

|                       |   |
|-----------------------|---|
| Bottle chill          | • |
| Fast freeze           | • |
| Ice trays             | 2 |
| Large plastic bins    | • |
| Slide Out Pastry Tray | • |
| Small plastic bins    | • |

**Performance**

|                                |   |
|--------------------------------|---|
| ActiveSmart™ Foodcare          | • |
| Adaptive defrost               | • |
| Frost free freezer             | • |
| Humidity control system        | • |
| Inverter controlled compressor | • |

**Product dimensions**

|                          |        |
|--------------------------|--------|
| Depth                    | 695mm  |
| Height                   | 1720mm |
| Height to top of cabinet | 1720mm |
| Width                    | 790mm  |

**Warranty**

|                          |                    |
|--------------------------|--------------------|
| Parts and labour         | 2 years            |
| Sealed system parts only | additional 3 years |

|     |       |
|-----|-------|
| SKU | 26423 |
|-----|-------|

The product dimensions and specifications in this page apply to the specific product and model. Under our policy of continuous improvement, these dimensions and specifications may change at any time. You should therefore check with Fisher & Paykel's Customer Care Centre to ensure this page correctly describes the model currently available. Fisher & Paykel Appliances Ltd 2020

**Where applicable:**

All appliances use energy, and energy usage typically generates carbon emissions. **Fisher & Paykel Appliances' In-use Energy Carbon Emissions Estimate** indicates carbon emissions from a product's in-use energy. This is calculated either annually or per cycle, using the product's market-specific energy label energy consumption data multiplied by the carbon emissions factor for energy in your country or region.

Our In-use Energy Carbon Emissions Estimate is designed to assist customers in making informed purchasing decisions when comparing different Fisher & Paykel products. For example, a heat pump dryer typically has a lower In-use Energy Carbon Emissions Estimate than a vented dryer.

**Other product downloads available at fisherpaykel.com**

- [↓](#) Service & Warranty
- [↓](#) User & Installation Guide ActiveSmart Refrigerator
- [↓](#) User Guide
- [↓](#) Energy Label
- [↓](#) Installation Guide
- [↓](#) Data Sheet Freestanding Refrigerator Freezer



**A PEACE OF MIND SALE**

**24 Hours 7 Days a Week Customer Support**

**T 1300 650 590 W www.fisherpaykel.com**