

# Integrated Refrigerator Freezer, 36", Ice & Water

Series 7 | Integrated

Panel Ready | Right Hinge

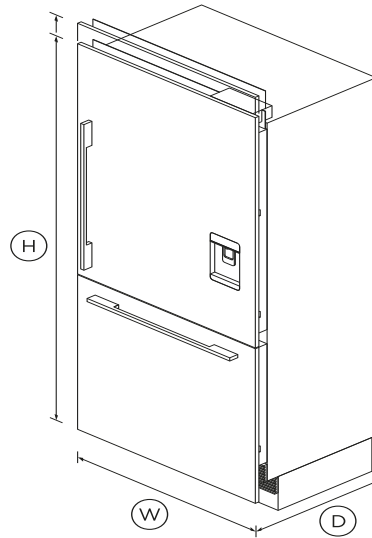


Choose a roomy refrigerator which fits flush into surrounding cabinetry. Add our stylish stainless steel panel with slimline water dispenser

- ActiveSmart™ technology helps keep food fresher for longer by constantly maintaining the ideal temperature
- Stainless steel door panel purchased separately - with water dispenser option available
- Spacious bottom freezer with full extension drawer, and Internal ice maker with boost for busy times
- Can be fitted for a height of 80 or 84 inches

## DIMENSIONS

|        |           |
|--------|-----------|
| Height | 79 13/16" |
| Width  | 35 1/16"  |
| Depth  | 23 3/4"   |



## FEATURES & BENEFITS

### ActiveSmart™ Foodcare

ActiveSmart™ Foodcare learns how you live. It's technology which understands how you use your fridge and adjusts temperature, airflow and humidity inside to help keep food fresher for longer.

### Easy installation

Our integrated products are easy to install, whether you are renovating your kitchen or designing a new one. Our

refrigerators are designed for minimal gaps with adjustable front and rear feet to allow for uneven floors alongside adjustable door panels that can be customized to match your kitchen.

### Clever energy

Your refrigerator adapts to daily use by cooling and defrosting only when needed. This means your refrigerator uses the energy it needs without compromising on food care.

### Ice maker

Fresh ice is always available for you in a dedicated freezer bin. Simply turn it off to free up freezer space or during busy times, you can boost ice production by up to 30%.

### Easy Cleaning

No more permanent dirty marks with our EZKleen feature for stainless steel refrigerators. Anti-fingerprint coating means you simply wipe clean any marks. Spill-safe secure glass shelves easily capture any drips or leaks.

### Water on tap

The slimline dispenser makes it easy to fill almost any sized jug or vessel with cool filtered water and doesn't take up any storage space in your refrigerator.

### Design quality

Our refrigerators are designed and built using quality materials. We use real stainless steel on our refrigerators and solid glass for shelving.

## SPECIFICATIONS

### Accessories

|                                 |            |
|---------------------------------|------------|
| Contemporary round handle       | AHS-ASBI-B |
| Contemporary square handle      | RS36W      |
| Joiner kit                      | RS80       |
| Matching Replacement Water      | FWC3       |
| Professional round flush handle | AHP3RD36W  |
| Professional round handle kit   | AHCRS36W   |

|                                 |                                   |
|---------------------------------|-----------------------------------|
| Professional square handle kit  | <b>AHV2RS36W</b>                  |
| Square fine aluminium handle    | <b>AHD5RD36W</b>                  |
| Square fine black handle kit    | <b>AHD5RD36WB</b>                 |
| Stainless steel door panel      | <b>80", Right hinge RD3680WRU</b> |
| Stainless steel door panel 84", | <b>RD3684WRU</b>                  |

|              |   |
|--------------|---|
| Bottle chill | • |
| Door alarm   | • |
| Fast freeze  | • |
| Ice Boost    | • |
| LED lighting | • |

The product dimensions and specifications in this page apply to the specific product and model. Under our policy of continuous improvement, these dimensions and specifications may change at any time. You should therefore check with Fisher & Paykel's Customer Care Centre to ensure this page correctly describes the model currently available. ? Fisher & Paykel Appliances Ltd 2020

### Capacity

|                     |                  |
|---------------------|------------------|
| Volume              | <b>16.8cu ft</b> |
| Volume refrigerator | <b>11.7cu ft</b> |

### Performance

|                                |   |
|--------------------------------|---|
| ActiveSmart™ technology        | • |
| Adaptive defrost               | • |
| Frost free freezer             | • |
| Humidity control system        | • |
| Inverter controlled compressor | • |
| Sabbath mode                   | • |

### Consumption

|               |                    |
|---------------|--------------------|
| Energy rating | <b>Energy star</b> |
| Energy usage  | <b>534kWh/year</b> |

### Features

|                               |          |
|-------------------------------|----------|
| Adjustable door shelves       | <b>6</b> |
| Adjustable glass cantilevered | •        |
| Adjustable glass shelves      | <b>3</b> |
| Covered door shelves          | <b>2</b> |
| Deli storage bins             | <b>1</b> |
| Door alarm                    | •        |
| Fruit and vegetable bins      | <b>2</b> |
| LED lighting                  | •        |
| SmartTouch control panel      | •        |
| Soft close doors              | •        |
| Stackable bottle holders      | <b>4</b> |
| Ultra slim water dispenser    | •        |

### Product dimensions

|        |                  |
|--------|------------------|
| Depth  | <b>23 3/4"</b>   |
| Height | <b>79 13/16"</b> |
| Width  | <b>35 1/16"</b>  |

### Product information

|                   |              |
|-------------------|--------------|
| Unpackaged weight | <b>148kg</b> |
|-------------------|--------------|

### Warranty

|                          |                |
|--------------------------|----------------|
| Parts and labour         | <b>2 years</b> |
| Sealed system parts only | <b>5 years</b> |

|     |       |
|-----|-------|
| SKU | 25826 |
|-----|-------|

### Freezer Features

|                     |   |
|---------------------|---|
| Automatic ice maker | • |
|---------------------|---|

---

Other product downloads available at [fisherpaykel.com](http://fisherpaykel.com)



User Guide



Guide D'Utilisation



Energy Label



Install Guide - Water Filter Replacement



Guide d'installation - Instructions de Remplacement du Filtre à Eau



Data Sheet Integrated Refrigerator Freezer



**A PEACE OF MIND SALE**

24 Hours 7 Days a Week Customer Support

T 1.888.936.7872 **W**[www.fisherpaykel.com](http://www.fisherpaykel.com)