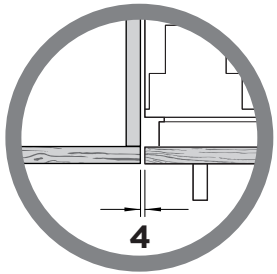
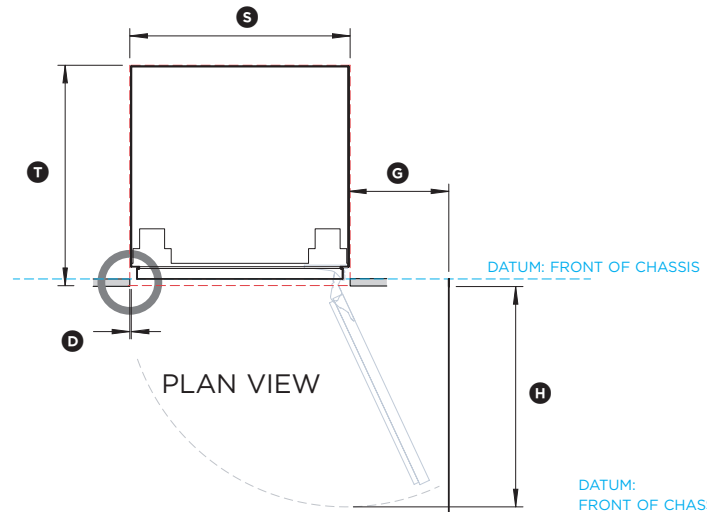


FISHER & PAYKEL

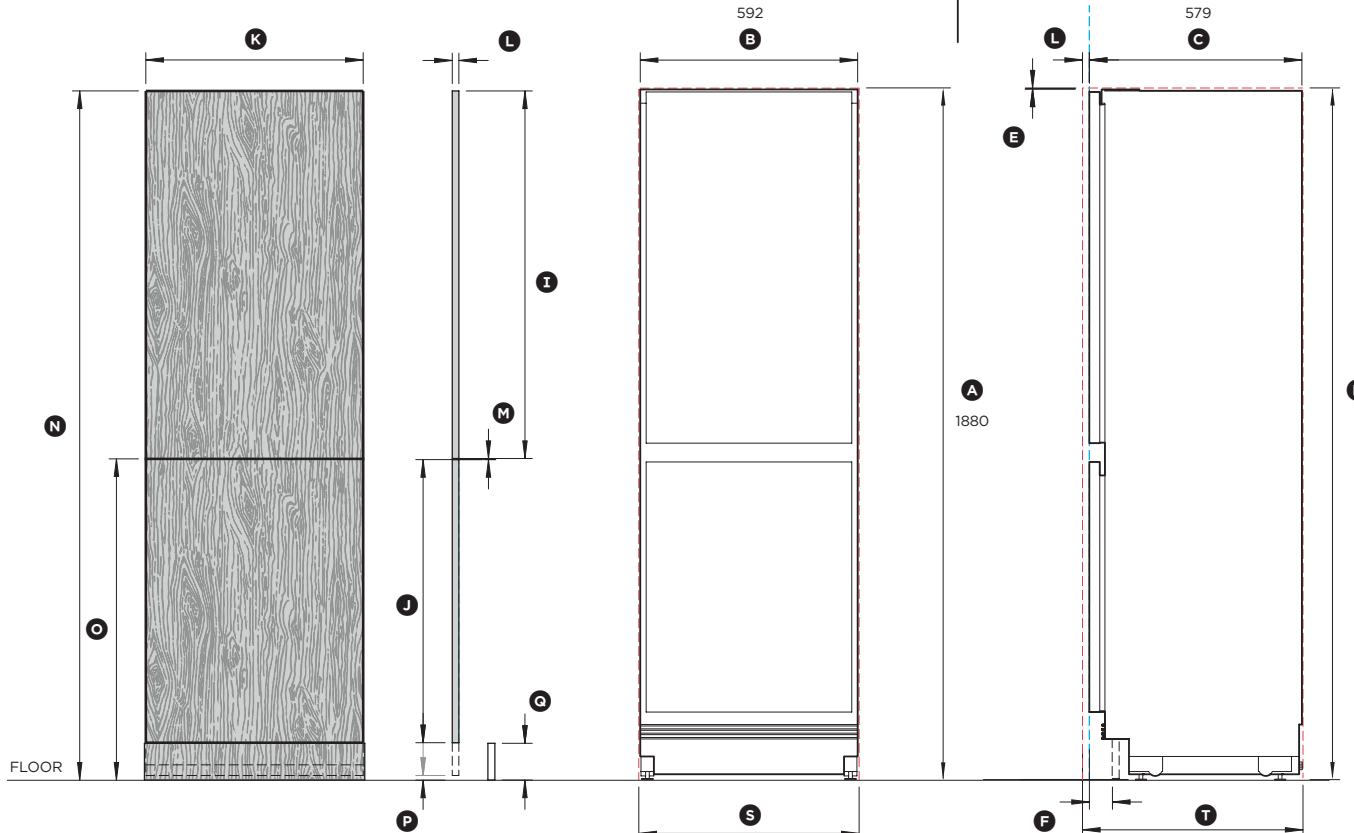
DATA SHEET Integrated Refrigerator Freezer, 60cm



VERTICAL GAP
CLEARANCE FROM SIDE
OF DOOR PANEL



PLAN VIEW



0 100 200 400
Millimeters

CUSTOM PANELS

FRONT VIEW

PROFILE VIEW

Model No:

RS6019BRU

NOTE: Left hand hinge is a mirrored version of the image shown.
Left hand hinge can be achieved using supplied parts.
Please refer to Installation Guide for details.

Product Dimensions	mm
Ⓐ Overall height of product	1880
Ⓑ Overall width of product	592
Ⓒ Overall depth of product	579
Ⓓ Minimum cabinetry clearance from side of door panels	4
Ⓔ Minimum cabinetry clearance from top of door panel	3
Ⓕ Depth of toe kick recess (excl. front door and toe kick panels)	50 - 100
Ⓖ Min door clearance to adjacent wall (115° - full internal access)	273
Ⓖ Depth of door (90° open, measured from front of cabinetry)	600

Custom Panel Dimensions	mm
Ⓘ Height of top door panel	1001
Ⓛ Height of bottom door panel	723 - 858
Ⓚ Width of door panel:	
• Single install	592
• Dual install	594
• Triple install	594.5
Ⓛ Depth of custom panel*	16 - 19
Ⓜ Gap between door panels	3
Ⓝ Height from floor to top of top door panel	1877
Ⓞ Height from floor to top of bottom door panel	873
Ⓟ Height from floor to bottom of bottom door panel**	15 - 150
Ⓠ Height of toe kick panel	100
Maximum weight of top door panel***	9.5kg
Maximum weight of bottom door panel***	9kg

Cavity Dimensions	mm
Ⓐ Overall height of cavity	1880
Ⓑ Overall width of cavity	600
Ⓡ Minimum overall depth of cavity:	
• When services are located outside of cavity (shallow)	600
• When services are located in the cabinet above the cavity	610
• When services are located at rear of cavity (deep)	650

Custom door panels and toe kick panel to be manufactured and fitted by cabinetmaker.

* At 19mm thickness, we recommend an edge radius of 1mm or more to avoid the possibility of panel clash when opening

** The grille becomes visible at heights over 100mm

*** Includes weight of handle

INDICATES CAVITY CLEARANCES - - - - -
INDICATES PRODUCT DATUM - - - - -

DATE: 25.06.2022

IMPORTANT NOTE: Throughout this guide, dimensions may vary by ±2mm (1/16"). Please read the Installation Guide for detailed information on installing the product. For full installation instructions & specifications visit fisherpaykel.com