

Warming Drawer, 30"

Series 9 | Contemporary



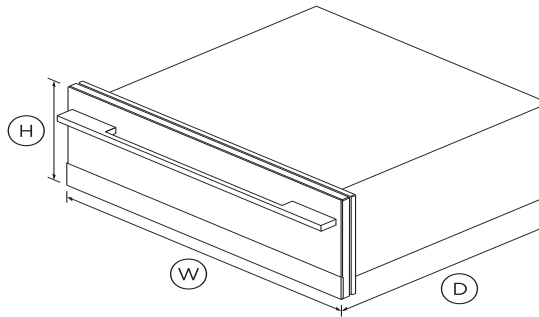
Keep your plates or cups warm while you finish cooking. Pair it with an oven for matching, contemporary design.

- A companion product, pairing perfectly with any of our 30" Ovens
- Space to keep six standard-sized dinner plates evenly warm
- Minimalist look with a black reflective glass surface and polished metal trim
- Easy to clean smooth-glass base

DIMENSIONS

Height 10 1/2

Width 29 11/16
 Depth 25 1/16



SPECIFICATIONS

Accessories

Contemporary round handle Part number 81672

Capacity

Usable capacity 1.5cu ft

Performance

High 200 - 250°F
 Low 140 - 170°F
 Medium 170 - 200°F

Power requirements

Amperage 15A
 Rated current 15A
 Supply frequency 60Hz
 Supply voltage 120V

Product dimensions

Depth 25 1/16
 Height 10 1/2
 Width 29 11/16

SKU 81583

TEST The product dimensions and specifications in this page apply to the specific product and model. Under our policy of continuous improvement, these dimensions and specifications may change at any time. You should therefore check with Fisher & Paykel's Customer Care Centre to ensure this page correctly describes the model currently available. ? Fisher & Paykel Appliances Ltd 2020



A PEACE OF MIND SALE

24 Hours 7 Days a Week Customer Support

T 1.888.936.7872 W www.fisherpaykel.com