

FISHER & PAYKEL

PRELIMINARY SPECIFICATION GUIDE

VACUUM SEAL DRAWER, 60CM



Vacuum Seal Drawer VB60SDB1-SET, paired with Steam Oven OS60NDTDB1

OVERVIEW

Designed to match our Contemporary style appliances, the Vacuum Seal Drawer is the ideal companion for our Combination Steam Oven. Prepares food for sous vide cooking, or vacuum sealing for marinating, food storage and portioning and resealing. Beautiful to use, with capacitive touch controls, these drawers deliver the performance to achieve perfect results.

MODELS

Vacuum Seal Drawer, 60cm, Panel Ready*

Contemporary Black
VB60SDB1-SET

*This model comes with an accessory door panel, and is not suitable for use with a custom door panel

SERIES & STYLE

Series 9
Contemporary

FEATURES

- 1 Styled to perfectly match our Contemporary kitchen appliances
- 2 Seamless pairing with our Contemporary style ovens and other companion products
- 3 Push-to-open drawer
- 4 Three levels of vacuum and heat sealing
- 5 Easy-to-clean base
- 6 Easy-to-use capacitive touch controls
- 7 Vacuum sealing for easy food portioning, marinating, storage and extended shelf life, or re-sealing
- 8 Effortless preparation for sous vide cooking
- 9 Maintenance and moisture indicator

ACCESSORIES

- 1 External vacuuming accessory kit
- 2 Large BPA free vacuum seal bags (50 bags, part 793034)
- 3 Small BPA-free vacuum seal bags (50 bags, part 793033)

FISHER & PAYKEL

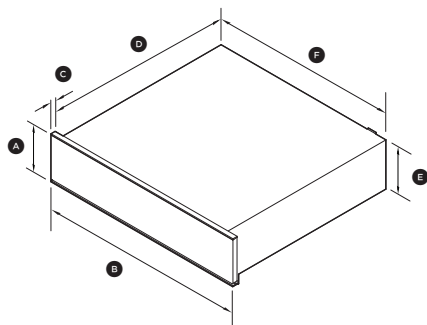
PRELIMINARY SPECIFICATION GUIDE

VACUUM SEAL DRAWER, 60CM

PRODUCT SPECIFICATIONS

Model No.	VB60SDB1-SET
Dimensions	H 140mm W 596mm D 566mm
Weight	38kg
Capacity	7.8 Litre
Electrical	
Supply	220 - 240 V, 50 Hz
Service	10 A
Connection	Flex cord
Power cord length	1800mm

PRODUCT DIMENSIONS

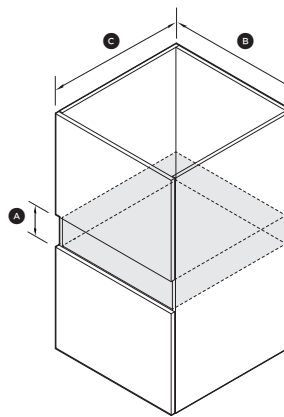


	mm
(A) Overall height	140
(B) Overall width	596
(C) Depth front panel	20
(D) Depth of chassis*	546
(E) Height of chassis	140
(F) Width of chassis*	543

* Including power plug

NOTE: The drawer can fully support 60cm Fisher & Paykel wall oven, without adding shelf in between.

CAVITY DIMENSIONS: STANDARD INSTALLATION



	mm
(A) Minimum inside height	142
(B) Minimum inside width	560
(C) Minimum inside depth	560