

# FISHER & PAYKEL

## PRELIMINARY SPECIFICATION GUIDE

## OVEN, 60CM



### OVERVIEW

Designed to fit seamlessly into any kitchen with Contemporary styling, this 60cm oven features a generous 85L total capacity. Achieve perfect results with 16 oven functions, plus a Wireless Temperature Sensor for monitoring cooking in real time. Beautiful to use, the large 5" touchscreen interface features simple and intuitive guided cooking, while Pyrolytic self-cleaning breaks down grime and grease, to keep the oven pristine for the next use.

### MODELS

#### Oven, 60cm, 16 Function

85L, Self-cleaning, Stainless steel, Touchscreen, Dial  
OB60SDPTDX2

### SERIES & STYLE

Series 9  
Contemporary

### ACCESSORIES

- ① Baking tray
- ② Roasting dish
- ③ Grill grid
- ④ Grill rack

### FEATURES

- ① Contemporary style, designed to fit flush with cabinetry
- ② Generous 85L total capacity with six shelf positions
- ③ Intuitive, large 5" touchscreen display with illuminated dial
- ④ 16 oven functions including Air fry, Fan Bake, and Roast
- ⑤ Pyrolytic self-cleaning function breaks down food residue for an easy clean
- ⑥ Wireless Temperature Sensor precisely monitors cooking in real time\*
- ⑦ Guided touchscreen cooking makes it simple to cook by food, function or recipe
- ⑧ Moisture control and even heat distribution thanks to ActiveVent and AeroTech™ technology
- ⑨ Automatic rapid pre-heat function for added convenience
- ⑩ Soft open and close door
- ⑪ Wi-Fi/Connected capability through the SmartHQ™ app\*

\*Selected markets and models

- ⑤ Step down wire shelf
- ⑥ Full extension wire shelves
- ⑦ Wireless Temperature Sensor\*

\*Selected markets and models

# FISHER & PAYKEL

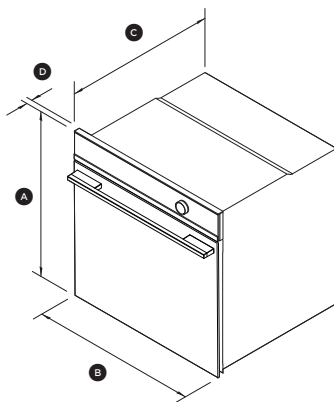
## PRELIMINARY SPECIFICATION GUIDE

OVEN, 60CM

### SPECIFICATIONS

Model No.	OB60SDPTDX2
Dimensions	H 598mm W 596mm D 565mm
Total capacity	85L
Weight	32kg (unpackaged) 44kg (packaged)
Electrical	
Supply	220-240VAC, 50Hz
Service	15A circuit

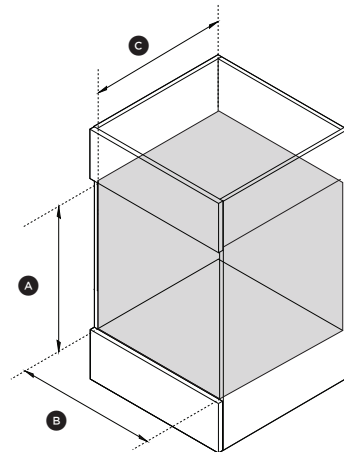
### PRODUCT DIMENSIONS



ISO VIEW

	mm
(A) Overall height	598
(B) Overall width	596
(C) Depth of chassis	545
(D) Depth from front frame (excludes dial and handle)	20
Depth of oven door when fully open (measured from front of control panel)	460

### CAVITY DIMENSIONS



ISO VIEW

	mm
(A) Minimum inside height	580
(B) Minimum inside width	560
(C) Minimum inside depth	550