

Single DishDrawer™ Dishwasher, Tall

Series 7 | Contemporary

Stainless Steel

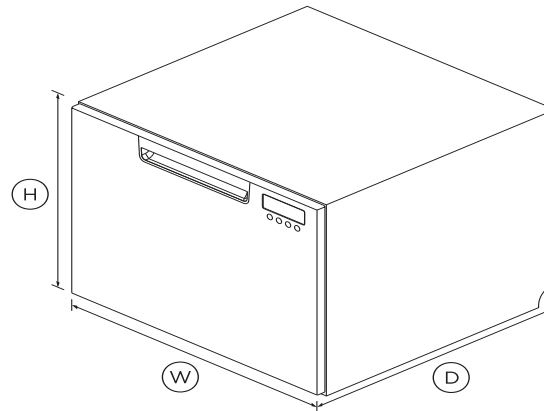


Created with extra height for large dishes and designed to be placed anywhere in your kitchen, for loading dishes with less bending.

- With extra height for taller dishes, and customisable internal shelving
- Six wash programs, as well as additional Quick wash, Sanitise and Extra Dry options
- Built-in water softener improves wash performance by reducing unwanted minerals in the water

DIMENSIONS

Height	478mm
Width	599mm
Depth	573mm



FEATURES & BENEFITS

Easy to use

DishDrawer™ Dishwashers are as easy to open and close as kitchen drawers and can be conveniently positioned at bench height for ease of loading and minimal bending. Flexible racking allows you to make adjustments to fit in a variety of dishes.

Quick, Sanitise and Extra Dry Options

The Quick wash modifier delivers a faster wash while maintaining performance. The Sanitise option provides extra protection killing 99.9% of bacteria in the final rinse. The Extra Dry setting is

perfect for plastic dishes.

Quiet Performer

Running at a very low decibel rate, these DishDrawer™ Dishwashers do their job without making a fuss. The combination of intelligent technology and simple mechanics means greater reliability and excellent wash performance.

Designed to Match

DishDrawer™ Dishwashers are designed to match the Fisher & Paykel family of kitchen appliances, with matching handles, premium styling and quality materials for a stylish finish in your kitchen.

SPECIFICATIONS

Accessories

- Knife clip and multipurpose

Capacity and loading

Accommodates round plates	310mm
Fold down tines	•
Pitch adjustable tines	•

Consumption

Energy rating	F
Water usage (per wash cycle)	7.9L

Controls

- Child lock
- Electronic fault/Diagnostic
- End of cycle beeps
- Energy saving delay start
- Rinse aid indicator light

Features

- Built-in water softener •
- Fan assisted drying •
- Flow through detergent •
- Quiet operation •
- SmartDrive™ technology •

Performance

Noise on standard cycle top **44dBA**

Power requirements

Amperage **4.2A**

Product dimensions

Depth **573mm**
 Height **478mm**
 Width **599mm**

Warranty

Parts and labour **5 years**

Wash Program Modifiers

- Extra Dry •
- Quick •
- Sanitise •

Wash Programs

- Delicate •
- Fast •

- Heavy •
- Medium •
- Normal eco •
- Rinse •

Water connection

Water pressure **0.1 Mpa - 1 Mpa**

SKU **81615**

The product dimensions and specifications in this page apply to the specific product and model. Under our policy of continuous improvement, these dimensions and specifications may change at any time. You should therefore check with Fisher & Paykel's Customer Care Centre to ensure this page correctly describes the model currently available. ? Fisher & Paykel Appliances Ltd 2020

Other product downloads available at fisherpaykel.com

- [↓](#) Quick Start Guide
- [↓](#) User Guide
- [↓](#) Service & Warranty
- [↓](#) Installation Guide
- [↓](#) Specification Guide Single DishDrawer
- [↓](#) Data Sheet Single DishDrawer

**A PEACE OF MIND SALE**

24 Hours 7 Days a Week Customer Support

T 08000 886 605 Wwww.fisherpaykel.com