

Freestanding Cooker, Dual Fuel, 90cm, Self-cleaning

Series 9 | Contemporary

Stainless Steel



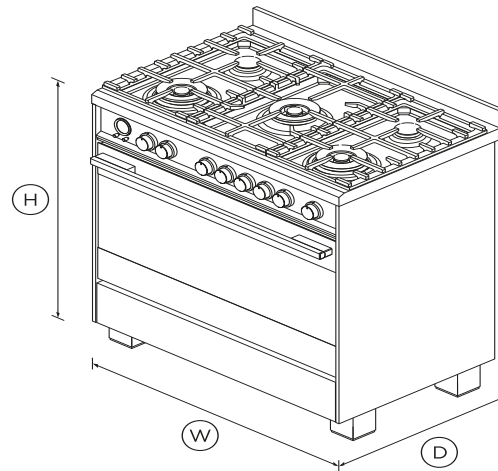
Get the best of both worlds with dual fuel performance. A spacious gas cooktop is paired with a large convection oven with rotisserie.

- Gas cooktop with five burners including wok burners
- Convection oven with 140L capacity and nine oven functions including Pastry Bake with pizza mode, and Rapid Proof
- Non-tip full-extension shelves for safe removal of hot dishes
- Pyrolytic self-clean that breaks down food residue for an easy clean

- Pyrolytic self-clean breaks down food residue at a very high temperature, leaving a light ash that's easily removed with a damp cloth

DIMENSIONS

Height	898 - 946mm
Width	897mm
Depth	600mm



FEATURES & BENEFITS

Multi-Shelf Cooking

Our AeroTech™ system circulates air evenly throughout the entire oven so dishes on the top shelf turn out just as perfect as food cooking on the bottom shelf.

Quality and durability

Every detail has been carefully crafted. The solid, perfectly balanced soft-close door, precise electric temperature control and chromed cast zinc dials all add up to an exceptional, premium freestanding cooker.

Power & Control

Instant and immediate control from the highest to the gentlest heat. The finely tuned hob controls let you sear, stir fry or simmer a delicate sauce to perfection.

Easy cleaning

Cleaning up spills is effortless. Your cooktop simply needs a quick wipe to keep it looking good as new. The pyrolytic self-clean oven cycle breaks down food residue at a very high temperature, leaving a light ash that's easily removed with a damp cloth.

Even Heat

Accurate, electronically-controlled oven heat ensures a great result every time.

Large Capacity Oven

The generous 140L total capacity oven gives you plenty of space to cook multiple dishes at once.

SPECIFICATIONS

Accessories

Flat wire shelf	1
Full extension sliding shelves	2 sets (part 578744)
Full extension telescopic	2 sets (part 578744)
Grill rack	•
Roasting dish	1
Rotisserie set	1 set
Small pot support	1 (part 533981 cast)
Step down wire shelf	•

Accessories (sold separately)

Kick strip, stainless steel **KICKOR90X1**

Burner ratings

Dual wok burner inner/outer **14.9MJ/h**
 Dual wok burner inner/outer **16.2MJ/h**
 Maximum burner power **16.2MJ/h**
 Semi-rapid burner (LPG) x2 **5.8MJ/h**
 Semi-rapid burner (natural) **6.5MJ/h**
 Total cooktop power **58.0MJ/h**
 Triple ring wok burner (LPG) **14.4MJ/h**
 Triple ring wok burner (natural) **14.4MJ/h**

Capacity

Shelf positions (main oven) **6**
 Total capacity **140L**
 Usable capacity (main oven) **120L**

Cleaning

Acid resistant graphite enamel •
 Drop down grill element •
 Pyrolytic proof shelf runners •
 Pyrolytic self-clean •
 Removable oven door •
 Removable oven door inner •
 Removable shelf runners •

Controls

Audio feedback •
 Automatic cooking/minute •

Automatic pre-set •
 Celsius/Fahrenheit •
 Electronic clock •
 High resolution display •
 Laser etched graphics •
 Precise electronic temperature •
 Sabbath mode •
 Turned stainless steel clock •
 Turned stainless steel clock •
 Turned stainless steel dials •

Oven features

AeroTech™ technology •
 Automatic rapid pre-heat •
 Electronic oven control •
 Full extension telescopic •
 Internal light **4 x 25W halogen (2 side & 2**
 Soft open/close door •
 True convection •
 Twin cavity fans •
 Warming drawer •

Oven functions

Bake •
 Fan bake •
 Fan forced •
 Fan grill •
 Grill •
 Number of functions **9** •
 Pastry Bake with Pizza mode •

Rapid proof •
 Roast •
 Rotisserie •
 True convection •

Oven performance

CoolTouch door **Quadruple glazed**
 Warming drawer power **202W**

Power requirements

Amperage **23A**
 Supply frequency **50Hz**

Product dimensions

Depth **600mm**
 Height **898 - 946mm**
 Width **897mm**

Cooktop Features

Brass burner spreader (power) •
 Embossed brass burner cap •
 LPG/Natural gas compatible •
 Sealed range top •

Cooktop Performance

Number of burners **5**

Safety

Advanced cooling system •
 Anti-tilt bracket •

- Balanced oven door
- Catalytic venting system
- CoolTouch door
- Flame failure system
- Full extension telescopic
- Non-tip shelves

SKU 81687

The product dimensions and specifications in this page apply to the specific product and model. Under our policy of continuous improvement, these dimensions and specifications may change at any time. You should therefore check with Fisher & Paykel's Customer Care Centre to ensure this page correctly describes the model currently available. ? Fisher & Paykel Appliances Ltd 2020

Other product downloads available at fisherpaykel.com

- [↓](#) User Guide Dual Fuel Cooker
- [↓](#) Service & Warranty
- [↓](#) User Guide
- [↓](#) Installation Guide - Kick Strip
- [↓](#) Installation Guide



A PEACE OF MIND SALE

24 Hours 7 Days a Week Customer Support

T 0800 372 273 Wwww.fisherpaykel.com