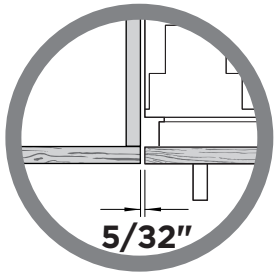
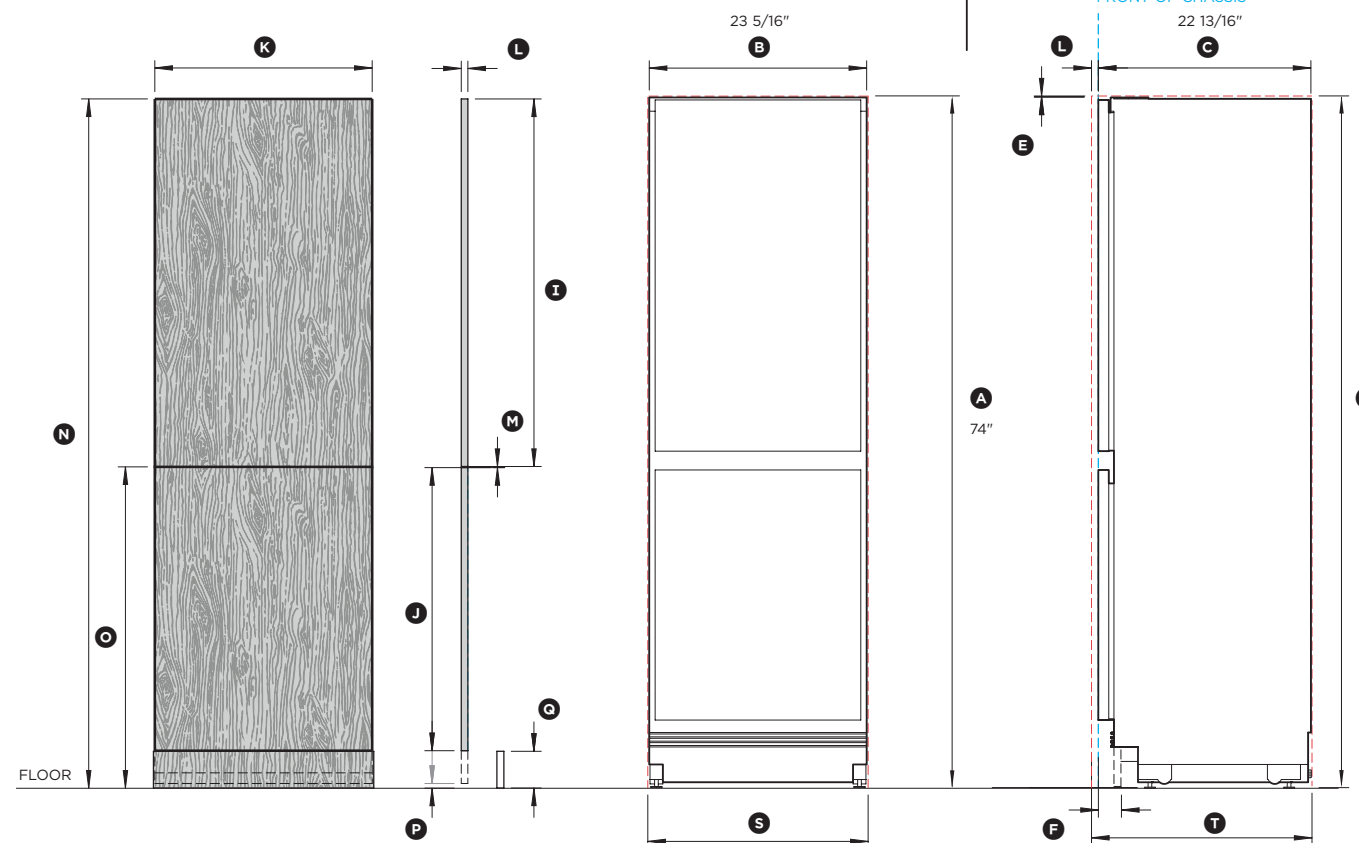
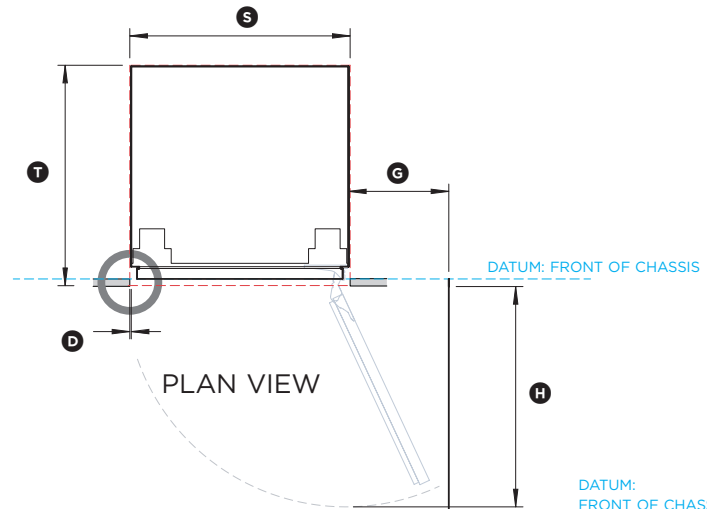


FISHER & PAYKEL

DATA SHEET Integrated Refrigerator Freezer, 24"



VERTICAL GAP
CLEARANCE FROM SIDE
OF DOOR PANEL



CUSTOM PANELS

FRONT VIEW

PROFILE VIEW

Model No:

RS2474BRU1 with Custom Panels

NOTE: Left hand hinge is a mirrored version of the image shown. Left hand hinge can be achieved using supplied parts. Please refer to Installation Guide for details. (refer page 2 for metric measurements)

Product Dimensions	in
Ⓐ Overall height of product	74
Ⓑ Overall width of product	23 5/16
Ⓒ Overall depth of product	22 13/16
Ⓓ Minimum cabinetry clearance from side of door panels	5/32
Ⓔ Minimum cabinetry clearance from top of door panel	1/8
Ⓕ Depth of toe kick recess (excl. front door and toe kick panels)	2 - 4
Ⓖ Min door clearance to adjacent wall (115° - full internal access)	10 3/4
Ⓙ Depth of door (90° open, measured from front of cabinetry)	23 5/8

Custom Panel Dimensions	in
⓫ Height of top door panel	39 7/16
⓬ Height of bottom door panel	28 7/16 - 33 3/4
⓪ Width of door panel:	
• Single install	23 5/16
• Dual install	23 3/8
• Triple install	23 13/32
Ⓛ Depth of custom panel*	5/8 - 3/4
Ⓜ Gap between door panels	1/8
Ⓢ Height from floor to top of top door panel	73 7/8
Ⓣ Height from floor to top of bottom door panel	34 3/8
Ⓟ Height from floor to bottom of bottom door panel**	9/16 - 5 15/16
Ⓡ Height of toe kick panel	4
Maximum weight of top door panel***	21lbs
Maximum weight of bottom door panel***	20lbs

Cavity Dimensions	in
Ⓔ Overall height of cavity	74
Ⓢ Overall width of cavity	23 5/8
Ⓣ Minimum overall depth of cavity:	
• When services are located outside of cavity (shallow)	23 5/8
• When services are located in the cabinet above the cavity	24
• When services are located at rear of cavity (deep)	25 9/16

Custom door panels and toe kick panel to be manufactured and fitted by cabinetmaker.

* At 3/4" thickness, we recommend an edge radius of 1/16" or more to avoid the possibility of panel clash when opening

** The grille becomes visible at heights over 3 15/16"

*** Includes weight of handle

INDICATES CAVITY CLEARANCES

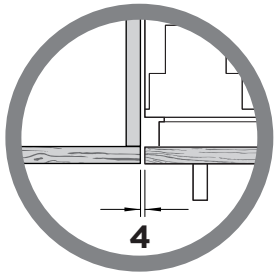
INDICATES PRODUCT DATUM

DATE: 25.06.2022

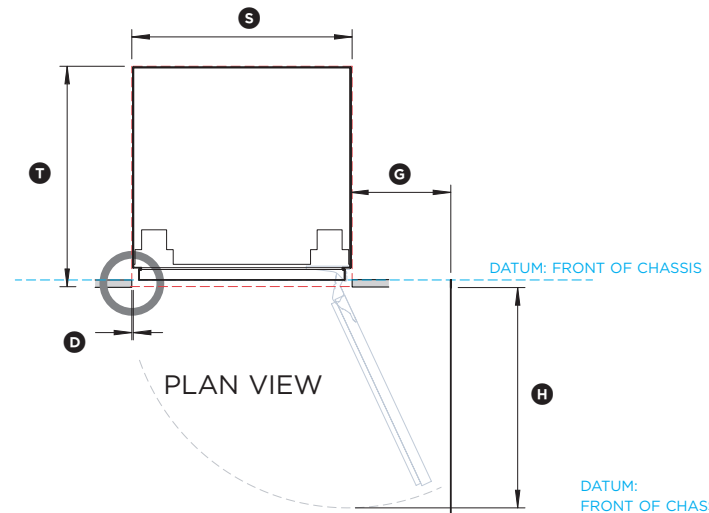
IMPORTANT NOTE: Throughout this guide, dimensions may vary by ±2mm (1/16"). Please read the Installation Guide for detailed information on installing the product. For full installation instructions & specifications visit fisherpaykel.com

FISHER & PAYKEL

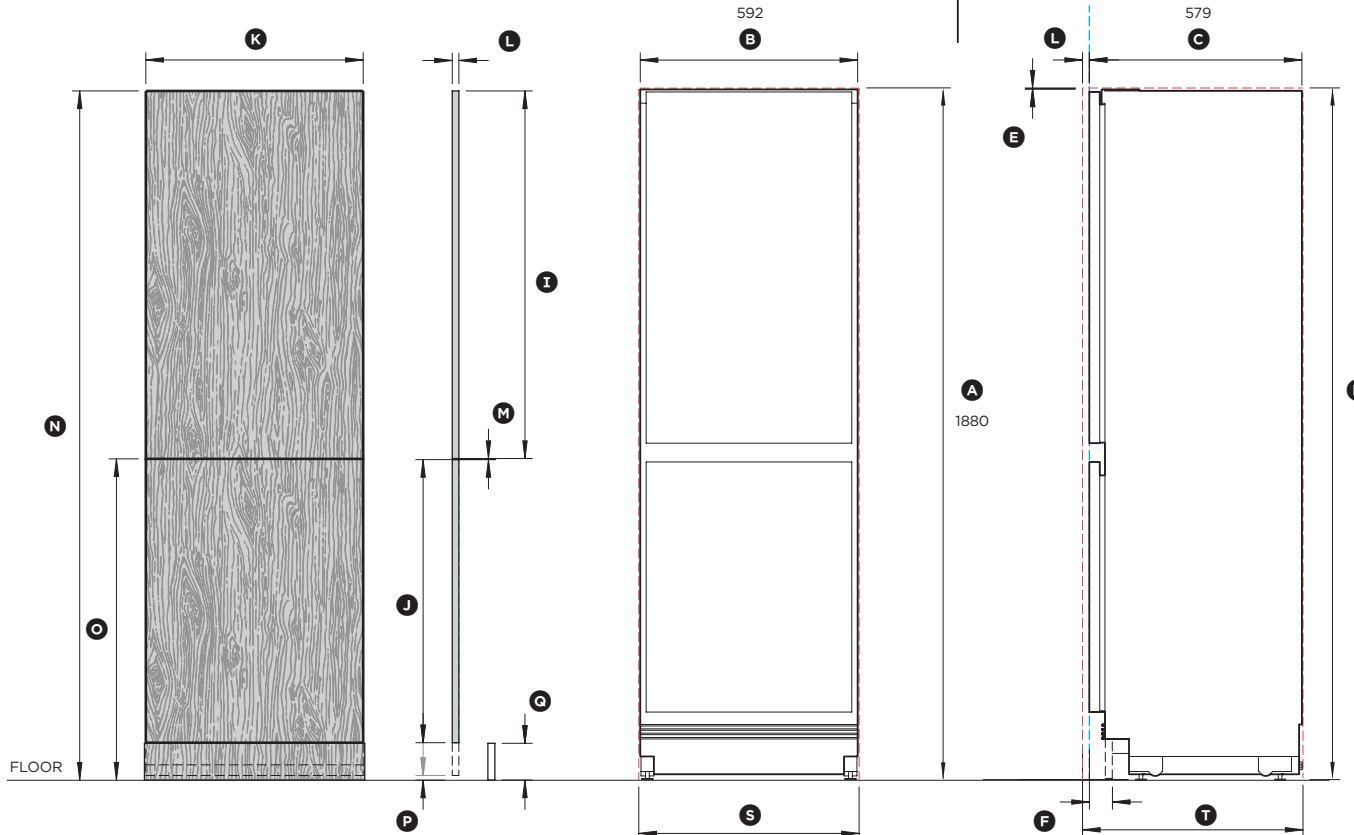
DATA SHEET Integrated Refrigerator Freezer, 24"



VERTICAL GAP
CLEARANCE FROM SIDE
OF DOOR PANEL



PLAN VIEW



CUSTOM PANELS

FRONT VIEW

PROFILE VIEW

Model No:

RS2474BRU1 with Custom Panels

NOTE: Left hand hinge is a mirrored version of the image shown. Left hand hinge can be achieved using supplied parts. Please refer to Installation Guide for details. (refer page 1 for imperial measurements)

Product Dimensions	mm
Ⓐ Overall height of product	1880
Ⓑ Overall width of product	592
Ⓒ Overall depth of product	579
Ⓓ Minimum cabinetry clearance from side of door panels	4
Ⓔ Minimum cabinetry clearance from top of door panel	3
Ⓕ Depth of toe kick recess (excl. front door and toe kick panels)	50 - 100
Ⓖ Min door clearance to adjacent wall (115° - full internal access)	273
Ⓖ Depth of door (90° open, measured from front of cabinetry)	600

Custom Panel Dimensions	mm
Ⓙ Height of top door panel	1001
Ⓚ Height of bottom door panel	723 - 858
Ⓛ Width of door panel:	
• Single install	592
• Dual install	594
• Triple install	594.5
Ⓜ Depth of custom panel*	16 - 19
Ⓨ Gap between door panels	3
Ⓩ Height from floor to top of top door panel	1877
ⓐ Height from floor to top of bottom door panel	873
ⓑ Height from floor to bottom of bottom door panel**	15 - 150
ⓓ Height of toe kick panel	100
Maximum weight of top door panel***	9.5kg
Maximum weight of bottom door panel***	9kg

Cavity Dimensions	mm
Ⓒ Overall height of cavity	1880
Ⓓ Overall width of cavity	600
Ⓣ Minimum overall depth of cavity:	
• When services are located outside of cavity (shallow)	600
• When services are located in the cabinet above the cavity	610
• When services are located at rear of cavity (deep)	650

Custom door panels and toe kick panel to be manufactured and fitted by cabinetmaker.

* At 19mm thickness, we recommend an edge radius of 1mm or more to avoid the possibility of panel clash when opening

** The grille becomes visible at heights over 100mm

*** Includes weight of handle

INDICATES CAVITY CLEARANCES
INDICATES PRODUCT DATUM

DATE: 25.06.2022

IMPORTANT NOTE: Throughout this guide, dimensions may vary by ±2mm (1/16"). Please read the Installation Guide for detailed information on installing the product. For full installation instructions & specifications visit fisherpaykel.com