

Built-in Coffee Maker, 60cm

Series 9 | Minimal

Black

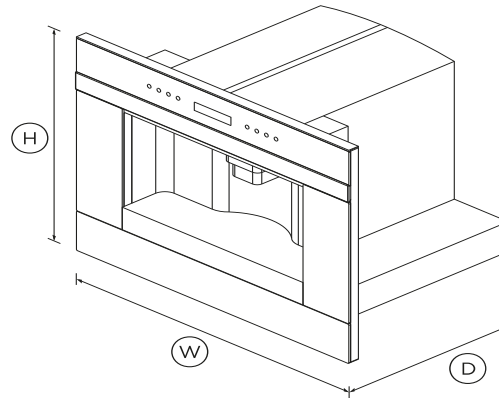


Our built-in coffee maker pours a delicious coffee, however you take it. Pairs perfectly with 60cm ovens and companion products.

- Barista-standard coffee just the way you like it, with 13 options from Flat White to Latte or Americano
- Your favourite coffee can be memorized and set to start at the same time each day, so it's ready when you are
- With self-cleaning function for an effortless clean
- Part of our suite of companion products, designed to match aesthetically for flexible configurations.

DIMENSIONS

Height	458mm
Width	596mm
Depth	480mm



FEATURES & BENEFITS

SIZED TO SUIT

This 60cm Built-in Coffee Maker is perfect for the compact kitchen and can be placed virtually anywhere. Companion products share standard dimensions and can be installed in multiple configurations to suit your kitchen design and preference.

COFFEE CHOICE

Your Coffee Maker has 13 different choices to suit your taste and selection - from Espresso to Latte.

BARISTA-STYLE COFFEE

The conical burr grinder delivers a consistent grind for the

perfect coffee. Set it to suit your preference.

SELF-CLEANING

The Coffee Maker has a self-cleaning function and comes with a removable drip tray and a waste container for used coffee grounds.

PERSONALISE YOUR CUP

Program your Coffee Maker to start up at the same time every day and make your favourite coffee.

BEAUTY OF CHOICE

With the choice of a stylish stainless steel or elegant black trim, our Companion products help you achieve a coherent kitchen aesthetic that suits your design style.

SPECIFICATIONS

Accessories

Coffee spoon	•
Descaling agent bottle	•
Extractable steam outlet	•
Matching Trim Kit	Optional 76cm trim kit Part
Optional lower trim kit	Part 81662 (478mm)
Water Filter	•

Capacity

Grounds container capacity	14 cups of coffee
Number of cups	1 or 2
Water tank capacity	2.5L

Cleaning

Easy to remove coffee grinds	•
Easy to remove stainless steel	•
Removable drip tray with level	•

Self-clean function •

Controls

Cleaning reminder •
 Coffee grounds full reminder •
 High resolution touch display •
 Intuitive information display •
 LED lights **4**
 Multi-language interface •
 Refill coffee bean reminder •
 Water tank empty indicator •

Functions

Americano •
 Cappuccino •
 Coffee •
 Coffee strength levels **5**
 Cup size levels **4 + manual**
 Double espresso •
 Espresso •
 Espresso macchiato •
 Flat white •
 Hot milk •
 Hot water •
 Latte •
 Latte macchiato •
 Long black •
 Number of functions **13**
 Personalised coffee •

Steam •
 Takes pre-ground coffee •

Performance

Coffee temperatures **5 x settings**
 Grinder **Stainless steel conical burr**
 Grinding coarseness **13 positions**
 Heating system **Thermablock with stainless**
 Heating system power (coffee) **1200W**
 Integrated cup warmer shelf •
 Integrated storage for •
 Pump power **50**
 Pump pressure **15Bar**

Power requirements

Amperage **10A**
 Supply frequency **50Hz**
 Supply voltage **240V**

Product dimensions

Depth **480mm**
 Height **458mm**
 Width **596mm**

Warranty

Parts and labour **2 years**

SKU **81922**

The product dimensions and specifications in this page apply to the specific product and model. Under our policy of continuous improvement, these dimensions and specifications may change at any time. You should therefore check with Fisher & Paykel's Customer Care Centre to ensure this page correctly describes the model currently available. ? Fisher & Paykel Appliances Ltd 2020

Other product downloads available at fisherpaykel.com



User Guide



Service & Warranty



Installation Guide



Data Sheet Coffee Maker



A PEACE OF MIND SALE

24 Hours 7 Days a Week Customer Support

T +65 6741 0777 W www.fisherpaykel.com