

## 24" Series 9 Integrated Wine Cabinet

Integrated



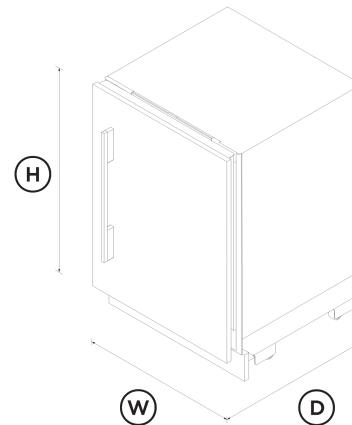
Designed for wine lovers, this under-counter, panel-ready wine cabinet seamlessly blends into any space of the evolving home. With dual temperature zones and specialized modes, it provides optimal conditions for all wine types.

- With two independent temperature zones to cater for different wine varieties
- Four specialized wine modes for Red, White, Sparkling, and Cellar wines
- Accommodates up to 35 bottles, providing ample space for a diverse collection

- Designed to fit flush, with only 3/16" gaps and no visible hinges or grilles

### DIMENSIONS

Height	34 "
Width	23 5/16 "
Depth	22 11/16 "



### FEATURES & BENEFITS

#### Complete Design Freedom

This sleek under-counter wine cabinet enhances any space, from kitchens to home bars, rumpus rooms to home cinemas. Compact and stylish, it is a sophisticated, space-efficient solution for wine enthusiasts looking to add elegance and accessibility to their home. Pairs perfectly with our Beverage Center to create an entertainer's dream set-up.

#### Optimal Wine Care

To provide the perfect storage environment for your wine collection, this cabinet has been engineered to maintain a consistent temperature across two independently-controlled zones. An activated carbon filter in each compartment clears the air of pollutants, ensuring your wine is perfectly preserved.

#### Precise Temperature Control

Four tailored wine modes offer optimal temperatures for serving and cellaring different types of wine: Red, White, Sparkling, and Cellar. These modes ensure each variety can receive the care it needs to be enjoyed at its best. Manual temperature adjustments are possible in 1.8°F increments between 43-64°F.

#### Reduced Vibration

Vibration can dull flavor and cause other unwanted issues in wine. This cabinet features a quiet, low-vibration compressor, full-extension slides with white oak shelving, and other strategically chosen absorptive materials to help carefully maintain the flavor profile of every drop.

#### Customizable Lighting

The tinted glass door effectively filters out UV light, allowing your wine to mature naturally. LED lighting offers four beautiful illumination options to highlight your collection, from a candlelit ambience to brilliant display lighting.

#### Seamless Fit

These panel-ready models are designed to fit flush, with only 1/8" inch gaps between the wine cabinet and surrounding cabinetry, and no visible hinges or grilles. They can be seamlessly hidden behind cabinetry, or choose our tinted glass model instead to put your collection proudly on display.

#### Simple Installation

Our Integrated products are easy to install, whether you are renovating your kitchen or designing a new one. Adjustable front and rear feet allow for uneven floors alongside adjustable door panels that can be customized to match your kitchen. These models are designed to easily slide into place under your counter - a perfect fit for European-design kitchens.

## SPECIFICATIONS

### Accessories (included)

Joiner kit	<b>test</b>
------------	-------------

### Accessories (sold separately)

Assisted opening accessory kit	<b>test</b>
Door panel stainless steel	<b>Left (Solid) RD2435L, Right (Solid) RD2435R</b>
Door panel stainless steel	<b>Left (Solid) RD2435L, Right (Solid) RD2435R</b>
Handle kit Classic	<b>AHCLRD35</b>
Handle kit Classic	<b>AHCLRD35</b>
Handle kit Contemporary round	<b>AHSRD35</b>
Handle kit Contemporary round	<b>AHSRD35</b>
Handle kit Contemporary square fine, aluminium	<b>AHD5RD35</b>
Handle kit Contemporary square fine, aluminium	<b>AHD5RD35</b>
Handle kit Contemporary square fine, black	<b>AHD5RD35B</b>
Handle kit Contemporary square fine, black	<b>AHD5RD35B</b>
Handle kit Professional round flush	<b>AHP3RD35</b>
Handle kit Professional round flush	<b>AHP3RD35</b>
Joiner kit	<b>AJRS35LR</b>

Toe kick stainless steel 23"	<b>AKRS2304</b>
Toe kick stainless steel 47"	<b>AKRS4704</b>
Toe kick stainless steel 47"	<b>AKRS4704</b>
Wine display label Kit (14 labels with white pencil)	<b>ALV14</b>
Wine display label Kit (14 labels with white pencil)	<b>ALV14</b>
Wine filter odour kit	<b>863974</b>
Wine filter odour kit	<b>863974</b>

### Capacity

Number of bottles	<b>35</b>
Number of bottles	<b>35</b>

### Connected Features

Alerts and notifications	•
Alerts and notifications	•
Education and onboarding	•
Education and onboarding	•
Remote operation	•
Remote operation	•
Software updates	•
Software updates	•

### Consumption

Energy consumption	<b>42 kWh/year</b>
Energy consumption	<b>42 kWh/year</b>

### Features

Air filter lower compartment	•
Air filter lower compartment	•
Air filter upper compartment	•
Air filter upper compartment	•
Door alarm	•
Door alarm	•
Full extension storage racks	<b>5</b>
Full extension storage racks	<b>5</b>
LED lighting	•
LED lighting	•
Low vibration compressor	•
Low vibration compressor	•
Removable solid oak shelves	<b>5</b>
Removable solid oak shelves	<b>5</b>
Smart appliance	•
Smart appliance	•
SmartTouch interface at counter height	•
SmartTouch interface at counter height	•
Soft-mounted wine racks	•
Soft-mounted wine racks	•
Telescopic slide out oak shelves	<b>5</b>
Telescopic slide out oak shelves	<b>5</b>

### Installation Dimensions

Minimum inside width of cabinetry frame	<b>23 5/8 "</b>
Minimum inside width of cabinetry frame	<b>23 5/8 "</b>
Minimum internal depth of cabinetry	<b>23 5/8 "</b>
Minimum internal depth of cabinetry	<b>23 5/8 "</b>
Minimum internal height of cabinetry	<b>34 "</b>

**Performance**

ActiveSmart™ wine care	•
ActiveSmart™ wine care	•
Door opening	<b>right hand hinge</b>
Door opening	<b>right hand hinge</b>
Dual evaporator	•
Dual evaporator	•
Dual Zone	•
Dual Zone	•
Noise emissions	<b>34 dBA</b>
Noise emissions	<b>34 dBA</b>
Sabbath mode	•
Sabbath mode	•
Temperature range	<b>43-64 degrees Fahrenheit</b>
Temperature range	<b>43-64 degrees Fahrenheit</b>
Variable temperature zones	<b>2</b>
Variable temperature zones	<b>2</b>
Variable wine modes	<b>Red</b>
Variable wine modes	<b>Red</b>

**Power requirements**

Rated current	<b>10 A</b>
Rated current	<b>10 A</b>
Supply frequency	<b>60 Hz</b>
Supply frequency	<b>60 Hz</b>
Supply voltage	<b>115 V</b>
Supply voltage	<b>115 V</b>

**Product dimensions**

Depth	<b>22 11/16 "</b>
Depth	<b>22 11/16 "</b>
Height	<b>34 "</b>
Height	<b>34 "</b>
Width	<b>23 5/16 "</b>
Width	<b>23 5/16 "</b>

SKU 26705

The product dimensions and specifications in this page apply to the specific product and model. Under our policy of continuous improvement, these dimensions and specifications may change at any time. You should therefore check with Fisher & Paykel's Customer Care Centre to ensure this page correctly describes the model currently available. © Fisher & Paykel Appliances Ltd 2020

**Other product downloads available at fisherpaykel.com**

- [↓ DWG](#)
- [↓ DWG](#)
- [↓ DXF](#)
- [↓ DXF](#)
- [↓ DXF](#)
- [↓ DXF](#)
- [↓ Energy Label](#)
- [↓ Installation Guide \(English\)](#)
- [↓ Installation Guide \(English\)](#)
- [↓ Installation Guide \(Canadian French\)](#)
- [↓ Installation Guide \(Canadian French\)](#)
- [↓ Installation Guide \(Spanish\)](#)
- [↓ Planning Guide - Assisted Opening Accessory \(English\)](#)

- [↓ Planning Guide \(English\)](#)
- [↓ Planning Guide \(Canadian French\)](#)
- [↓ Planning Guide \(Spanish\)](#)
- [↓ Revit](#)
- [↓ Rhino](#)
- [↓ Right To Repair Declaration \(English, Canadian French\)](#)
- [↓ SketchUp](#)
- [↓ User Guide \(English\)](#)
- [↓ User Guide \(Canadian French\)](#)
- [↓ User Guide \(Spanish\)](#)

**Where applicable:**

All appliances use energy, and energy usage typically generates carbon emissions. **Fisher & Paykel Appliances' In-use Energy Carbon Emissions Estimate** indicates carbon emissions from a product's in-use energy. This is calculated either annually or per cycle, using the product's market-specific energy label energy consumption data multiplied by the carbon emissions factor for energy in your country or region.

Our In-use Energy Carbon Emissions Estimate is designed to assist customers in making informed purchasing decisions when comparing different Fisher & Paykel products. For example, a heat pump dryer typically has a lower In-use Energy Carbon Emissions Estimate than a vented dryer.



**A PEACE OF MIND SALE**  
**24 Hours 7 Days a Week Customer Support**  
 T 1.888.936.7872 Wwww.fisherpaykel.com