

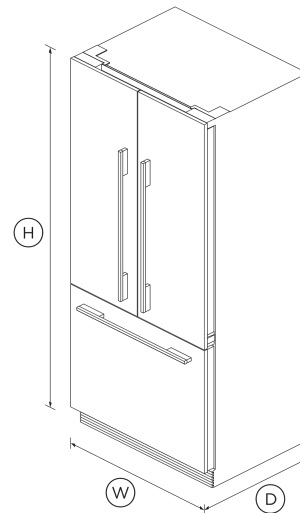
# 32" Series 7 Integrated French Door Refrigerator Freezer, Ice

- Spacious bottom freezer with full extension drawer and ice maker with boost function

ActiveSmart™ Foodcare learns how you live. By understanding how you use your refrigerator and adjusting temperature, airflow and humidity inside, it helps keep food fresher for longer.

## DIMENSIONS

Height	71 7/8 "
Width	31 1/8 "
Depth	23 11/16 "



### Flexible Storage

Designed to make it simple for you to store, sort and access food. Storage bins give you full access inside when they're pulled open and can be easily removed to clean. Our cantilevered shelving also gives you more storage options.

### Ice maker

Fresh ice is always available for you in a dedicated freezer bin. Simply turn it off to free up freezer space, or during busy times you can boost ice production by up to 30%.

### Beautiful Lighting

LED lighting illuminates the interior with a crisp, clean glow for enhanced visibility. Our energy saving LEDs use less power than comparable halogen lights.

### Easy Cleaning

Secure, spill-safe glass shelves easily capture any drips or leaks, and can be easily removed for fast and easy cleaning.

### Clever Energy

This refrigerator adapts to daily use by cooling and defrosting only when needed, providing greater energy efficiency without compromising on food care.

## FEATURES & BENEFITS

### Perfect Fit

These models fit flush and have minimal gaps, with no visible hinges. Our Integrated refrigeration can be seamlessly hidden behind your cabinetry or you can purchase our stainless steel door panel.

### ActiveSmart™ Foodcare

## SPECIFICATIONS

### Accessories (sold separately)

Door panel set stainless steel	RD3272AUB
Handle kit Classic	AHCLRD32A
Handle kit Contemporary round, aluminium	AHSRS3272A
Handle kit Contemporary square fine, aluminium	AHD5RD32A

Integrated



Designed to seamlessly integrate into your kitchen. With minimal gaps and no visible hinges, this model has a flush fit to suit any kitchen layout.

- ActiveSmart™ technology helps keep food fresher for longer by constantly maintaining the ideal temperature.
- Customize with your own kitchen cabinetry or purchase our stainless steel door panel accessory.
- With SmartTouch control panel for ease of use

Handle kit Contemporary square fine, black	<b>AHD5RD32AB</b>
Handle kit Professional round flush	<b>AHP3RD32A</b>
Water filter replacement	<b>847200 - FWC3</b>

Fruit and vegetable bins	<b>2</b>
LED lighting	•
Smart appliance	•
SmartTouch control panel	•
Soft close doors	•
Stackable bottle holders	<b>4</b>

**Product dimensions**

Depth	<b>23 11/16 "</b>
Height	<b>71 7/8 "</b>
Width	<b>31 1/8 "</b>

**Capacity**

Total gross capacity	<b>14.7 cu ft</b>
Volume	<b>14.7 cu ft</b>
Volume freezer	<b>4.4 cu ft</b>
Volume refrigerator	<b>10.3 cu ft</b>

**Freezer Features**

Automatic ice maker	•
Bottle chill	•
Door alarm	•
Fast freeze	•
Ice Boost	•
LED Lighting	•
Slide Out Pastry Tray	•

SKU 26311

The product dimensions and specifications in this page apply to the specific product and model. Under our policy of continuous improvement, these dimensions and specifications may change at any time. You should therefore check with Fisher & Paykel's Customer Care Centre to ensure this page correctly describes the model currently available. © Fisher & Paykel Appliances Ltd 2020

**Connected Features**

Alerts and notifications	•
Education and onboarding	•
Remote operation	•
Software updates	•

**Other product downloads available at fisherpaykel.com**

- [↓ DXF](#)
- [↓ DXF](#)
- [↓ DWG](#)
- [↓ DWG](#)
- [↓ Energy Label](#)
- [↓ Water Filter Replacement Instructions - Parts 847200 and 847201 \(English\)](#)
- [↓ Installation Guide \(English\)](#)
- [↓ Water Filter Replacement Instructions - Parts 847200 and 847201 \(French\)](#)
- [↓ Installation Guide \(Canadian French\)](#)
- [↓ Planning Guide \(English\)](#)
- [↓ Planning Guide \(Canadian French\)](#)
- [↓ Planning Guide \(Spanish\)](#)
- [↓ Revit](#)
- [↓ Rhino](#)
- [↓ Right To Repair Declaration \(English, Canadian French\)](#)

**Performance**

ActiveSmart™ Foodcare	•
Adaptive defrost	•
Frost free freezer	•
Humidity control system	•
Inverter controlled compressor	•
Sabbath mode	•

**Power requirements**

Rated current	<b>10 A</b>
Supply frequency	<b>60 Hz</b>
Supply voltage	<b>115 V</b>

**Consumption**

Energy rating	<b>Energy Star</b>
Energy usage	<b>540kWh/year</b>
In-use energy carbon emissions estimate	<b>62.3kgCO2e/year</b>

**Features**

Adjustable door shelves	<b>6</b>
Adjustable glass cantilevered shelves	•
Covered door shelves	<b>2</b>
Deli storage bins	<b>1</b>
Door alarm	•

- ↓ SketchUp
- ↓ User Guide (English)
- ↓ User Guide (English)
- ↓ User Guide (Canadian French)

**Where applicable:**

All appliances use energy, and energy usage typically generates carbon emissions. **Fisher & Paykel Appliances' In-use Energy Carbon Emissions Estimate** indicates carbon emissions from a product's in-use energy. This is calculated either annually or per cycle, using the product's market-specific energy label energy consumption data multiplied by the carbon emissions factor for energy in your country or region.

Our In-use Energy Carbon Emissions Estimate is designed to assist customers in making informed purchasing decisions when comparing different Fisher & Paykel products. For example, a heat pump dryer typically has a lower In-use Energy Carbon Emissions Estimate than a vented dryer.



**A PEACE OF MIND SALE**  
**24 Hours 7 Days a Week Customer Support**  
T 1.888.936.7872 W [www.fisherpaykel.com](http://www.fisherpaykel.com)