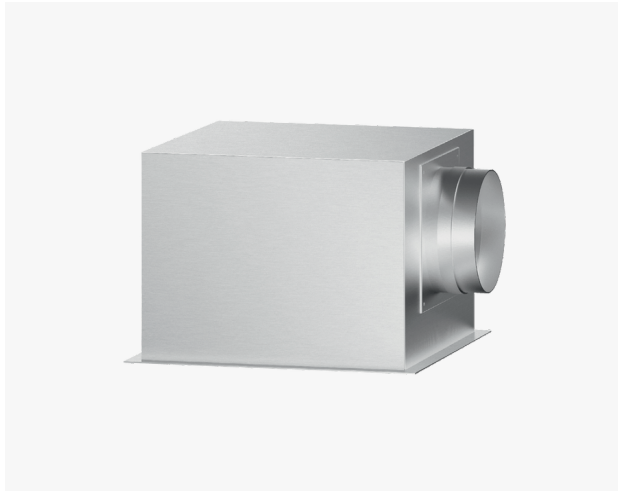


Internal Blower

Series 7 | Professional

Stainless Steel

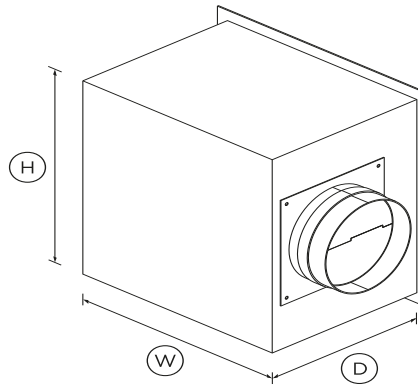


This remote internal blower can be placed anywhere, working with one of our downdraft range hoods for faster and more efficient extraction.

- Can be paired with our downdraft range hoods, such as models HD36 and HD30
- Powerful 600CFM maximum airflow

DIMENSIONS

Height	13"
Width	10"
Depth	13"



Product dimensions

Depth	13"
Height	13"
Width	10"

Warranty

Parts and labour	Limited 2 years
------------------	-----------------

SKU	50046
-----	-------

The product dimensions and specifications in this page apply to the specific product and model. Under our policy of continuous improvement, these dimensions and specifications may change at any time. You should therefore check with Fisher & Paykel's Customer Care Centre to ensure this page correctly describes the model currently available. ? Fisher & Paykel Appliances Ltd 2020

SPECIFICATIONS

Installation and cleaning

Air outlet size	10"
-----------------	-----

Power requirements

Rated current	15A
Supply frequency	60Hz
Supply voltage	120V

Other product downloads available at fisherpaykel.com



Service & Warranty



Installation & User Guide EN / Guide d'installation et guide d'utilisation FR



Installation Guide



Guide d'installation FR



A PEACE OF MIND SALE

24 Hours 7 Days a Week Customer Support

T 1.888.936.7872 **W**www.fisherpaykel.com