

Series 5 Contemporary Dishwasher

Contemporary



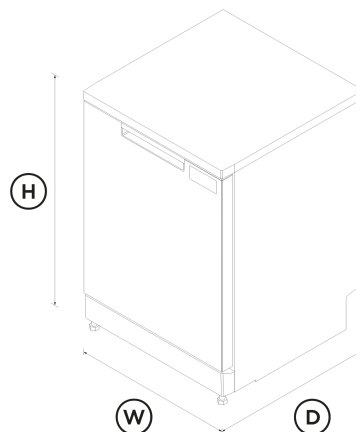
Designed to adapt to every load, this dishwasher combines Auto Cycle sensing, ThermoDry technology and flexible loading features to deliver consistent cleaning and drying performance. An adjustable-height rack, foldable tines, Half Load and Dry+ modifiers help optimise care across everything from delicate glassware to heavy cookware.

- Seven wash programs including 60 min and Eco, plus modifiers like Dry+, Sanitise and Half Load
- Auto Cycle senses how dirty the dishes are and adjusts the wash accordingly

- ThermoDry channels moisture away from dishes at the end of a cycle for efficient drying
- For added peace of mind, Aqua Stop automatically shuts off the water if a leak is detected

DIMENSIONS

Height	850 - 895 mm
Width	597 mm
Depth	600 mm



FEATURES & BENEFITS

80 Years of Clean Dishes

We have spent 80 years obsessing over the science of clean dishes - meticulously calibrating time, temperature, water movement and chemistry to deliver perfect results. That expertise is built into every cycle, where refined wash systems, sensing, and product intelligence work together to tackle everything from everyday loads to baked-on residue with ease.

Careful Consumption, Powerful Performance

Designed to help reduce energy consumption, Eco Cycle balances time and energy to deliver a thorough clean while using up to 30% less energy compared to the Medium cycle. This efficient cycle fits seamlessly into evening routines, so you can wake to clean dishes and a lighter environmental footprint.

Flexible by Design

No two days in the kitchen are the same, so your dishwasher needs to adapt. A height-adjustable upper basket creates space for tall dishes or bulky cookware, while adjustable cup racks and foldable tines let you secure smaller items and easily customise the layout for each load.

Balance in Every Cycle

Not every load demands the same approach. From everyday dishes to heavily soiled cookware, our cycles and modifiers are designed to deliver the right level of care for each wash. Half Load optimises smaller washes, Sanitise provides added hygiene, and Dry+ improves drying performance on plastics for reliable results across every load.

Automatic Intelligence

Everyday routines are made simpler when the details are taken care of for you. Auto Cycle uses sensors to detect how dirty the load is, intelligently adjusting time, temperature, and water use to create the most appropriate wash conditions for each load. The result is consistent cleaning performance with efficient use of resources, wash after wash.

Clean and Dry

Dishes are dry and ready to put away at the end of a cycle with ThermoDry. As warm air cools moisture is drawn away from dishes, for efficient drying and a more convenient dishwashing routine.

Engineered for Life

Trust is earned over time through consistent results. That is why our team of scientists test wash performance using over 100,000 pieces of cutlery and crockery each year. By carefully analysing soil removal, water and energy consumption, we continuously refine our cycles to deliver proven consistency, wash after wash, transforming dishwashing routines into rituals.

SPECIFICATIONS

Capacity and loading

Accommodates round plates up to (lower basket)	320mm
Accommodates round plates up to (top basket)	250mm
Adjustable height, foldable cupracks	•
Fold down tines	•
Height adjustable top basket	•
Place settings	15
Place settings	15

Consumption

Energy rating	3.5 star
Energy usage	295kWh/year
In-use energy carbon emissions estimate	28.0kgCO2e/year
Water consumption (per wash cycle)	12.2L
Water rating	5 star (WELS)

Controls

Energy saving delay start option of up to 12 hours	•
Keylock	•
Rinse aid indicator light	•
Time remaining LED display	•

Features

Flood protection	•
Half load option	•
Internal tub material	Stainless Steel
Motor type	Asynchronous
ThermoDry system	•
Three-stage filtration system	•

Performance

Noise emissions	48 dBA
-----------------	---------------

Power requirements

Amperage	10A
Supply frequency	50Hz
Supply voltage	220 - 240V

Product dimensions

Depth	600 mm
Height	850 - 895 mm
Width	597 mm

Wash Program Modifiers

Dry +	•
Half load	•
Sanitise	•
Wash modifiers	3

Wash Programs

60 min	•
Auto	•
Eco	•
Heavy	•
Light	•
Medium	•
Rinse	•
Wash programs	7

Water connection

Water pressure	30kPa - 1000 kPa
Water supply	3/4" BSP (20mm) Connector Water Inlet Hose

SKU	82426
-----	--------------

The product dimensions and specifications in this page apply to the specific product and model. Under our policy of continuous improvement, these dimensions and specifications may change at any time. You should therefore check with Fisher & Paykel's Customer Care Centre to ensure this page correctly describes the model currently available. © Fisher & Paykel Appliances Ltd 2020



A PEACE OF MIND SALE
24 Hours 7 Days a Week Customer Support
T 0800 372 273 W www.fisherpaykel.com

Other product downloads available at fisherpaykel.com

- [↓](#) DXF
- [↓](#) Data Sheet (English)
- [↓](#) DWG
- [↓](#) Energy Label
- [↓](#) Installation Guide (English)
- [↓](#) Handle Installation Guide (English)
- [↓](#) User Guide (English)

Where applicable:

All appliances use energy, and energy usage typically generates carbon emissions. **Fisher & Paykel Appliances' In-use Energy Carbon Emissions Estimate** indicates carbon emissions from a product's in-use energy. This is calculated either annually or per cycle, using the product's market-specific energy label energy consumption data multiplied by the carbon emissions factor for energy in your country or region.

Our In-use Energy Carbon Emissions Estimate is designed to assist customers in making informed purchasing decisions when comparing different Fisher & Paykel products. For example, a heat pump dryer typically has a lower In-use Energy Carbon Emissions Estimate than a vented dryer.