

# 30" Series 11 Minimal Combi- Steam Oven

Minimal

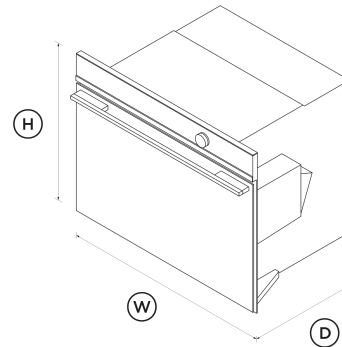


Designed for the home chef, our Combination Steam Oven simplifies the creation of healthy and delicious meals.

- 23 oven functions including Steam, Sous Vide, Air Fry and Crisp Regenerate
- Guided touchscreen cooking makes it simple to navigate cooking processes
- Help reduce food waste by rejuvenating leftovers with steam for fresh-tasting roasts, and risottos and more
- Designed to match our Minimal style appliances, for the ultimate kitchen solution

## DIMENSIONS

Height	23 9/16 "
Width	29 15/16 "
Depth	22 1/4 "



## FEATURES & BENEFITS

### Combination cooking

Elevate every ingredient with combination steam cooking. By blending dry convection heat with adjustable steam levels, you can preserve the delicate texture of seafood like salmon and snapper, maintain the essential vitamins and minerals in greens, and enhance the rich flavors of prime cuts of meat.

### Mastery of temperature

Steam is eight times more efficient at conducting heat than convection, which means our combi steam oven can cook at reduced times and lower temperatures. It perfectly balances steam with convection heat, ensuring exceptional temperature accuracy for perfect roasting and crafting signature dishes.

### Preserve flavor and nutrients

Perfect for delicate dishes like snapper or salmon, steam cooking preserves nutrients and texture, offering a healthier way to enjoy meals. With specialized steam functions, including Sous Vide, the combi steam oven brings out the best in every ingredient, ensuring your creations are both nutritious and delicious.

### Cook with confidence

Using the large 5" touchscreen interface, you can cook with a favorite method, hero ingredient, cooking function, or recipe. Your oven will guide you through the steps, or change the temperature and heat type automatically, depending on your selection.

### Reheat and restore

Revitalize your leftovers with our Steam Regenerate function, ensuring dishes like roast chicken and risotto maintain their freshness and flavor. For that just-baked quality in pastries, bread, and pizza, opt for our Crisp Regenerate setting, which reheats to keep every bite deliciously crispy.

### Complementary design

Every detail has been carefully crafted from the finest materials to enhance your kitchen's aesthetic, perfectly suiting your design style. Pair it with our other Minimal style appliances for the ultimate kitchen solution.

### Steam clean

Keep your oven spotless with the natural power of steam. The steam clean feature helps tackle stubborn spills, allowing for a quick wipe-down.

## SPECIFICATIONS

<b>Accessories (included)</b>		<b>Controls</b>	Maxi Broil	•	
Broil grid	1	Adjustable audio and display settings	•	Pastry Bake	•
Broil pan	1	Audio feedback	•	Pizza bake	•
Broil rack	1	Automatic cooking/minute timer	•	Reheat	•
Descale solution	2	Automatic pre-set temperatures	•	Roast	•
Full extension sliding shelves	2 sets	Celsius/Fahrenheit temperature	•	Slow cook	•
Large steam dish	1	Delay start	•	Sous vide	•
Perforated large steam dish	1	Dial with illuminated halo	•	Steam	•
Perforated small steam dish	1	Electronic capacitive touch controls	•	Steam clean (oven)	•
Step down wire shelf	1	Electronic clock	•	Steam defrost	•
Wired temperature sensor	1	Electronic oven control	•	Steam proof	•
		Guided cooking by food type and recipes	•	Steam regenerate	•
		Internal Light	•	True Aero	•
		Intuitive touchscreen display	•	True Aero + High steam	•
<b>Capacity</b>		Multi-language display	true	True Aero + Low steam	•
Shelf positions	6	Sabbath mode with Star K certification	•	True Aero + Medium steam	•
Total capacity	3 cu ft	Smart appliance	•	Vent bake	•
Usable capacity	2.5 cu ft	Soft close doors	•	Warm	•
Water tank capacity	47.3	Temperature sensor	•		
		Touch control glass interface	•	<b>Performance</b>	
		True convection oven	•	ActiveVent™ system	•
<b>Cleaning</b>		Voice control	•	AeroTech™ technology	•
Acid resistant graphite enamel	•	Wireless temperature sensor compatible	•	Automatic rapid pre-heat	•
Descale cycle	•			Automatic sensor cooking	•
Drying cycle	•	<b>Functions</b>		Temperature range	95-445
Easy to clean interior	•	Aero Broil	•		
Removable oven door	•	Aero™ Bake	•	<b>Power requirements</b>	
Removable side ladders	•	Air fry	•	Amperage	20 A
Removable water tank	•	Classic bake	•	Supply frequency	60 Hz
Steam clean (oven)	•	Crisp regenerate	•		

Supply voltage **208 or 240 V**

- [↓](#) Revit
- [↓](#) Rhino
- [↓](#) Right To Repair Declaration (English, Canadian French)
- [↓](#) SketchUp
- [↓](#) User Guide (English)
- [↓](#) User Guide (Canadian French)
- [↓](#) User Guide (Spanish)

**Product dimensions**

Depth **22 1/4 "**  
 Height **23 9/16 "**  
 Width **29 15/16 "**

**Where applicable:**

All appliances use energy, and energy usage typically generates carbon emissions. **Fisher & Paykel Appliances' In-use Energy Carbon Emissions Estimate** indicates carbon emissions from a product's in-use energy. This is calculated either annually or per cycle, using the product's market-specific energy label energy consumption data multiplied by the carbon emissions factor for energy in your country or region.

Our In-use Energy Carbon Emissions Estimate is designed to assist customers in making informed purchasing decisions when comparing different Fisher & Paykel products. For example, a heat pump dryer typically has a lower In-use Energy Carbon Emissions Estimate than a vented dryer.

SKU **83098**

The product dimensions and specifications in this page apply to the specific product and model. Under our policy of continuous improvement, these dimensions and specifications may change at any time. You should therefore check with Fisher & Paykel's Customer Care Centre to ensure this page correctly describes the model currently available. © Fisher & Paykel Appliances Ltd 2020

**Other product downloads available at fisherpaykel.com**

- [↓](#) DXF
- [↓](#) DWG
- [↓](#) Energy Label
- [↓](#) Installation Guide (English)
- [↓](#) Installation Guide (Canadian French)
- [↓](#) Installation Guide (Spanish)
- [↓](#) Planning Guide - 30" Minimal Built-in Ovens and Companions (English)
- [↓](#) Planning Guide - 30" Minimal Built-in Ovens and Companions (Canadian French)
- [↓](#) Planning Guide - 30" Minimal Built-in Ovens and Companions (Spanish)
- [↓](#) California Warning Proposition 65 (English, Spanish, Canadian French, Chinese)



**A PEACE OF MIND SALE**  
**24 Hours 7 Days a Week Customer Support**  
 T 1.888.936.7872 W [www.fisherpaykel.com](http://www.fisherpaykel.com)