

Oven, 30", 17 Function, Self-cleaning

Series 9 | Contemporary

Stainless Steel

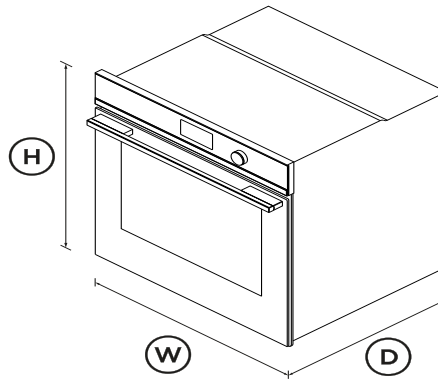


A highlight of the Fisher & Paykel collection, this Series 9 oven with touchscreen guided cooking helps to ensure every dish is cooked to perfection.

- Touchscreen guided cooking capability offers helpful tips for different food types as well as full recipes
- 4.1 cu ft total capacity, with 17 oven functions including Pastry Bake, Roast, Air Fry and Dehydrate
- Pyrolytic self-cleaning function breaks down food residue for an easy clean
- Moisture level control with ActiveVent technology

DIMENSIONS

Height	27 3/16"
Width	29 15/16"
Depth	23 15/16"



FEATURES & BENEFITS

Cook with confidence

Using the large 5" touchscreen interface, you can cook with a favorite method, a hero ingredient, or a go-to cooking function or recipe. Your oven will guide you through the steps, or change the temperature and heat type automatically, depending on your selection.

Generous capacity

With an exceptional 3 cu ft total capacity, you can create several

perfectly cooked dishes at once using multiple shelves.

Multi-function flexibility

Each function has been tailored, tested and perfected to ensure that no matter what you're cooking, you've got the right heat to match. Purchase our Wireless Temperature Sensor accessory and precisely monitor cooking in real time (accessory sold separately).

Exceptional performance

AeroTech™ circulates heat evenly for a consistent temperature throughout the cavity, helping you ensure perfect results even when cooking on multiple shelves.

Self-cleaning

Pyrolytic self-clean breaks down food residue at a very high temperature, leaving a light ash that's easily removed with a damp cloth. The enamel coated side racks don't need to be removed when using this function.

Design freedom

Designed to fit seamlessly into your kitchen, this built-in oven features premium materials and detailing to support a cohesive, considered kitchen design.

Safe and sound

The CoolTouch door features triple glazing and a cooling system that ensures it's safe to touch from the outside - protecting both your hands and the surrounding cabinetry.

SPECIFICATIONS

Accessories

Broil grid	1
Broil pan	1
Broil rack	1
Pyrolytic proof shelf runners	•
Wired temperature sensor	1

Capacity		Aero Broil	•	Depth	23 15/16"
Total capacity	4.1cu ft	Air fry	•	Height	27 3/16"
<hr/>		Bake	•	Width	29 15/16"
Cleaning		Broil	•	<hr/>	
Acid resistant graphite enamel	•	Classic bake	•	Safety	
Pyrolytic proof shelf runners	•	Dehydrate	•	ADA compliant	•
Pyrolytic self-clean	•	Maxi Broil	•	Balanced oven door	•
Removable oven door	•	Number of functions	17	Catalytic venting system	•
Removable shelf runners	•	Pastry Bake	•	Control panel key lock	•
<hr/>		Pizza bake	•	CoolTouch door	•
Controls		Rapid proof	•	Non-tip shelves	•
Adjustable audio and display	•	Roast	•	Safety thermostat	•
Audio feedback	•	Self-clean	•	<hr/>	
Automatic cooking/minute	•	Slow cook	•	Warranty	
Automatic pre-set	•	True Aero	•	Parts and labor	2 years
Celsius/Fahrenheit	•	Vent bake	•	<hr/>	
Delay start	•	Warm	•	SKU	82536
Electronic clock	•	<hr/>			
Electronic oven control	•	Performance			
Food probe	•	ActiveVent™ system	•		
Guided cooking by food type	•	AeroTech™ technology	•		
Halogen lights	•	Automatic rapid pre-heat	•		
Intuitive touchscreen display	•	Broil power	4400W		
Multi-language display	UK English, US English,	<hr/>			
Sabbath mode with Star K	•	Power requirements			
True convection oven	•	Amperage	16.6 - 19.4A		
Wi-Fi connectivity	•	Supply frequency	60Hz		
<hr/>		Supply voltage	208 - 240VV		
Functions		<hr/>			
Aero Bake	•	Product dimensions			

The product dimensions and specifications in this page apply to the specific product and model. Under our policy of continuous improvement, these dimensions and specifications may change at any time. You should therefore check with Fisher & Paykel's Customer Care Centre to ensure this page correctly describes the model currently available. ? Fisher & Paykel Appliances Ltd 2020

Other product downloads available at fisherpaykel.com



Service & Warranty



Installation Guide / Guide d'installation



Installation Guide Wall Oven



Data Sheet Oven



A PEACE OF MIND SALE

24 Hours 7 Days a Week Customer Support

T 1.888.936.7872 **W**www.fisherpaykel.com