

---

# DISHDRAWER™ DISHWASHER INSTALLATION GUIDE

---

Components required	3
Accessing your product specifications	5
Prior to installation	7
Prepare dishwasher	12
Install dishwasher	16
Secure dishwasher	17
Install services	24
Installer checklist	29

**FISHER & PAYKEL**

**EU**

592773B 03.26



**CONTEMPORARY SINGLE DISHDRAWER™ DISHWASHER**

---

DD60SCHX9

## COMPONENTS REQUIRED

---

### TOOLS

---

#### Not supplied

- Box cutter
- Crosshead screwdriver
- Flat blade screw driver
- Drill
- 1x 13mm Drill bit
- 1x 2.5mm Drill bit
- Level
- Pliers
- Pencil

### PARTS

---

#### Supplied and required

- |   |  |
|---|--|
| <input type="checkbox"/> 4x Side brackets                               | <input type="checkbox"/> 1x Drain hose support |
| <input type="checkbox"/> 1x Sealing tape                                | <input type="checkbox"/> 1x Drain hose joiner  |
| <input type="checkbox"/> 7x 16mm Crosshead screws                       | <input type="checkbox"/> 1x Wire clip          |
| <input type="checkbox"/> 2x 38mm Chassis feet fixing screws and washers | <input type="checkbox"/> 1x Clamp              |

#### Supplied

- 4x Spacer sets



To access installation videos, scan the QR code or go to: <https://www.fisherpaykel.com/nz/dishdrawer-installation-videos>

The videos provide an overview of the DishDrawer™ installation and are not intended to be used as a standalone guide.

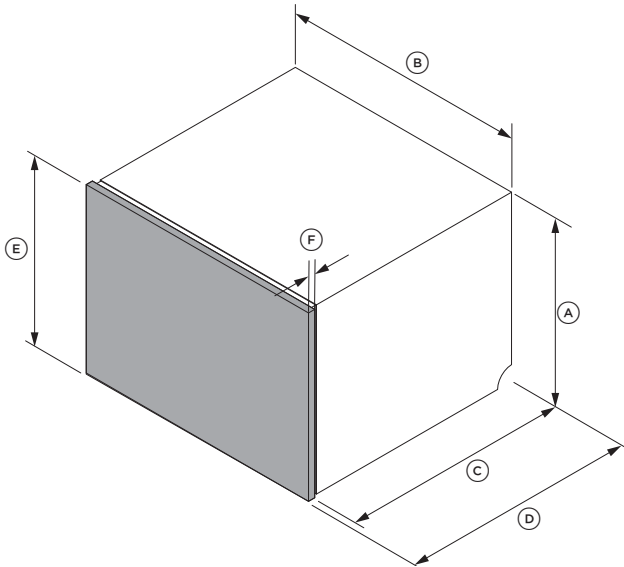
Installation should be undertaken by a Fisher & Paykel trained and supported service technician or qualified person.

## ACCESSING YOUR PRODUCT SPECIFICATIONS



For full product, cabinetry and service specifications, refer to the Planning Guide. To access the Planning Guide, scan the QR code or visit [fisherpaykel.com/specify](https://fisherpaykel.com/specify). Search by appliance type, product name or model code.

For installation support please contact the Fisher & Paykel design support team at [designsupport@fisherpaykel.com](mailto:designsupport@fisherpaykel.com)



Product Dimensions	mm
Ⓐ Chassis height	410
Ⓑ Chassis width	599
Ⓒ Chassis depth	553
Ⓓ Overall depth*	573
Ⓔ Drawer panel height	394
Ⓕ Drawer panel depth	20

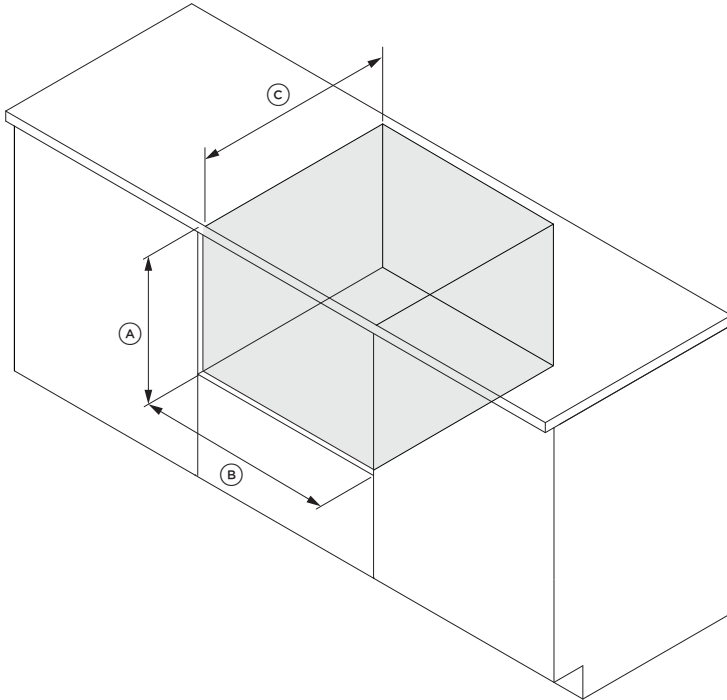
\*Includes 20mm drawer panel

## ACCESSING YOUR PRODUCT SPECIFICATIONS

---

Ensure there is a small gap between the drawer panel and any cabinetry behind it to maintain a proper seal in the dishwasher.

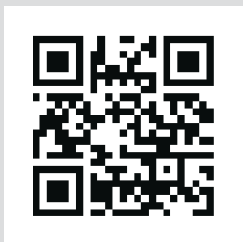
This prevents moisture escape and condensation which can damage the cabinetry.



Cavity Dimensions	mm
(A) Cavity height	min 412
(B) Cavity width	600-610
(C) Cavity depth	min 579

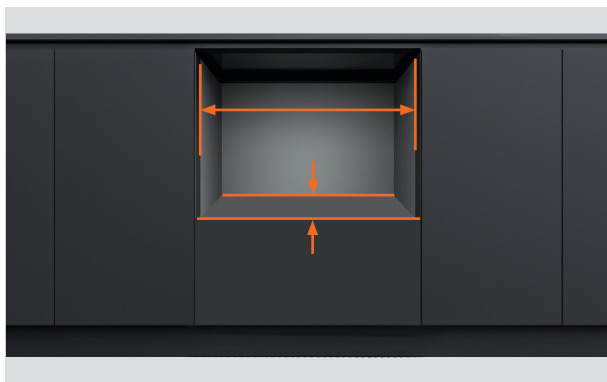
## PRIOR TO INSTALLATION

---



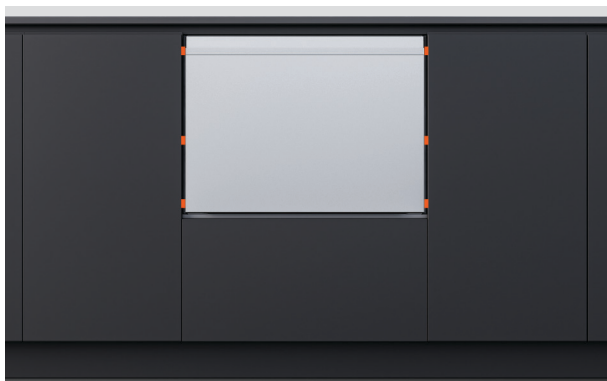
[fisherpaykel.com/specify](https://fisherpaykel.com/specify)

1. Refer to the Planning Guide for cabinetry, cavity and service specifications.



2. Ensure the cabinet meets the minimum cavity specifications required.

Check that the cabinet sides are square.



3. If the cavity is too wide, add material to the sides to allow the dishwasher to be secured.

## PRIOR TO INSTALLATION

---



4. Check that the cabinet is level.



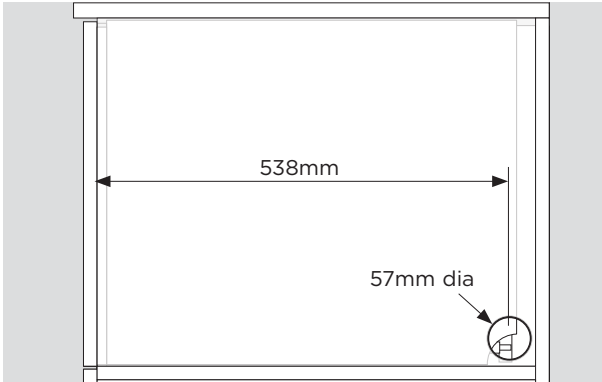
5. The power plug should be accessible after installation for maintenance.



6. Service holes can be routed from the dishwasher into the adjacent cavity.

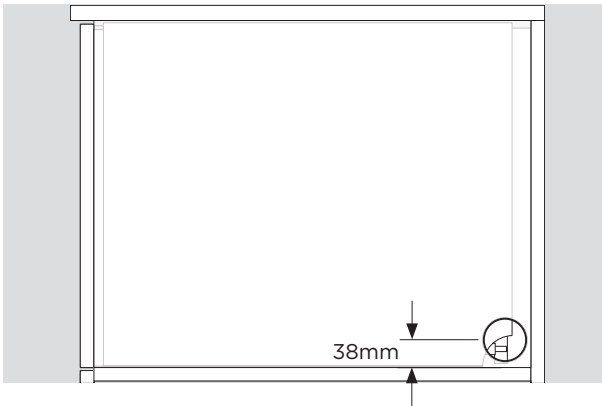
## PRIOR TO INSTALLATION - SERVICES

Refer to the Planning Guide at [fisherpaykel.com](http://fisherpaykel.com) for service options.



1. A minimum 57mm diameter service hole is required in the cabinet side.

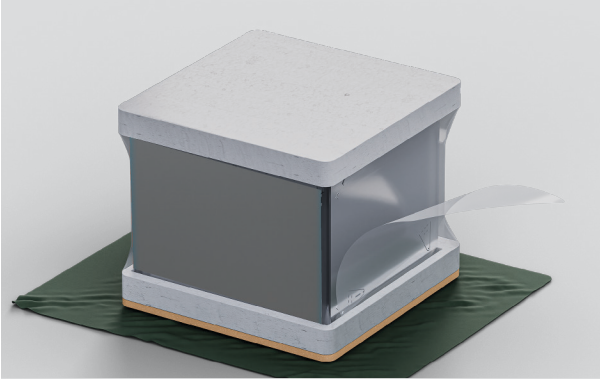
The center of the hole should be a minimum of 538mm from the front of the chassis.



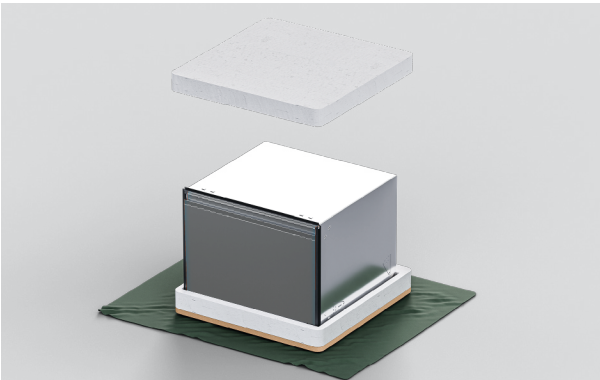
2. The center of the hole should be a maximum of 38mm from the shelf.

## UNPACK ALL PRODUCTS

---



1. Remove the plastic wrap.



2. Remove the top packaging.  
Leave the base on to protect the floor surface while moving the dishwasher.

## UNPACK ALL PRODUCTS

---



**3.** Peel the tape from the top drawer and remove accessories and installation packages from the tub.

Close the drawer and re-apply the tape.



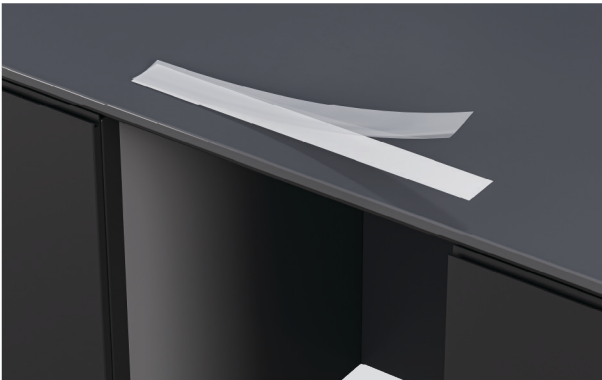
**4.** Dispose of packaging responsibly.

## APPLY SEALING TAPE

---



1. Ensure underside of countertop is clean and free of dust.



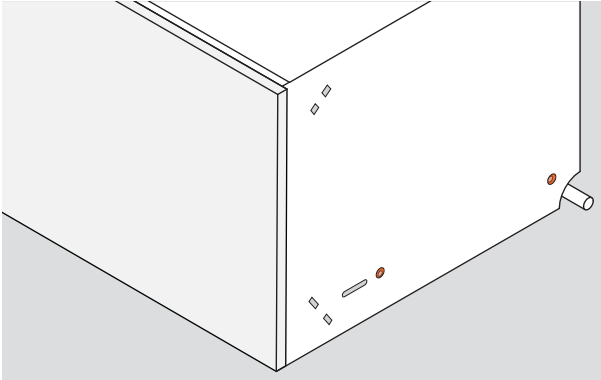
2. Remove backing from tape



3. Apply tape to top edge of cabinet ensuring it is centred and set back 10mm from the front edge.

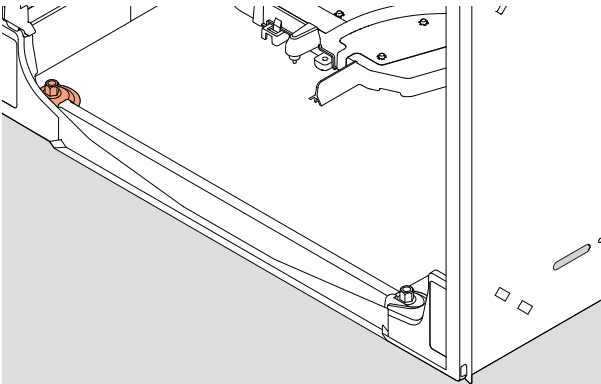
## DISHWASHER SECURING OPTIONS

The dishwasher must be secured to stay in place and prevent vibration. Three fixing points on each side of the chassis is recommended.



### 1. Securing through chassis sides:

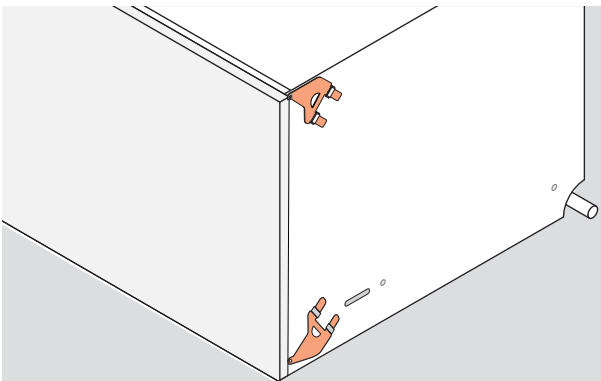
Screws must be fixed through the chassis sides and into the cabinet sides or packers.



### 2. Securing through chassis bottom:

Screws can be fixed through the bottom left hand of the chassis and into the shelf from the inside of the dishwasher.

38mm Fixing screws and washers are supplied.



### 3. Securing through side brackets:

Side brackets can be inserted into the chassis sides and fixed to the cabinet sides.

All brackets can be used if needed.

## ATTACH BRACKETS

The brackets must lie flat on the chassis with the locking tabs facing out. The locking tabs must be properly inserted through the slots to secure the brackets.



1. Locate the side bracket sets.



2. If using the upper bracket set, insert into the slots and tap gently with a soft mallet to secure.

Push the screw tab through the gap in the rubber seal.



3. If using the lower bracket set, insert into lower slots and tap gently with a soft mallet to secure.

Push the screw tab through the gap in the rubber seal.

## ATTACH SPACERS

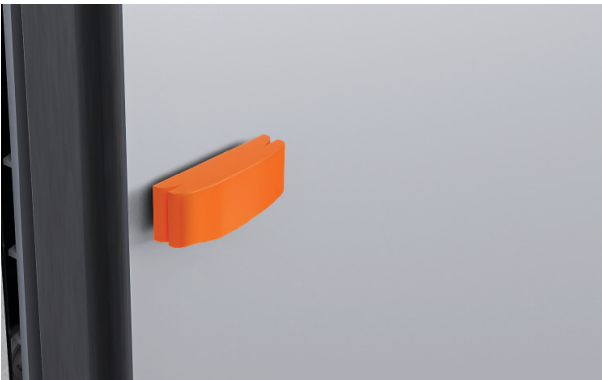
---



1. Snap off the four spacers with an adhesive strip.



2. Place spacers on each side of the dishwasher between the brackets.



3. If required a larger spacer segment can be snapped on to adjust the thickness.

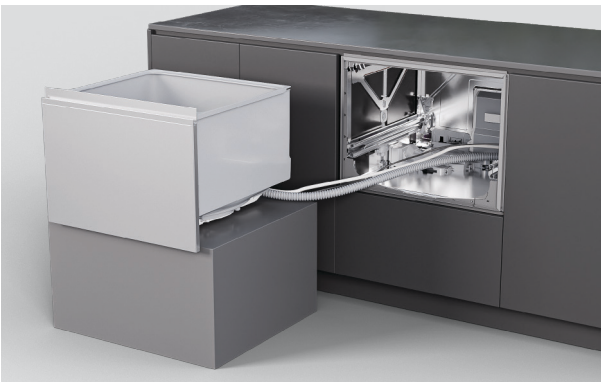
## PUSH INSIDE CAVITY

---

The minimum gap between the drawer panel and countertop or frame is 2mm.



**1.** Place hoses and cords through the service holes and into the adjacent cavity.



**2.** Carefully push the dishwasher into the cavity, feeding the hoses through the service holes as you go. Avoid crushing or twisting the hoses.

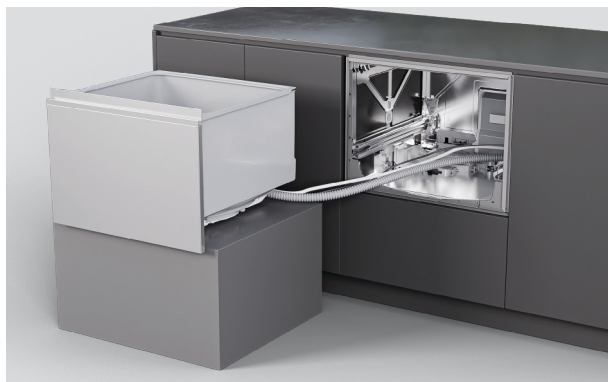
## SECURE THROUGH CHASSIS SLOT

Slots in the chassis sides allow screws to be temporarily fixed and the dishwasher to be adjusted within the cavity. Panel alignment can then be checked before final fixing.

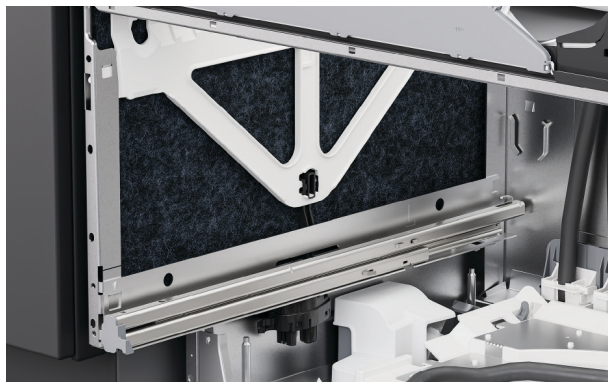


**1.** Pull the drawer halfway out to remove the tub.

On each side of the tub, push locking tabs back.



**2.** Place the drawer on a protected surface to the left of the appliance.



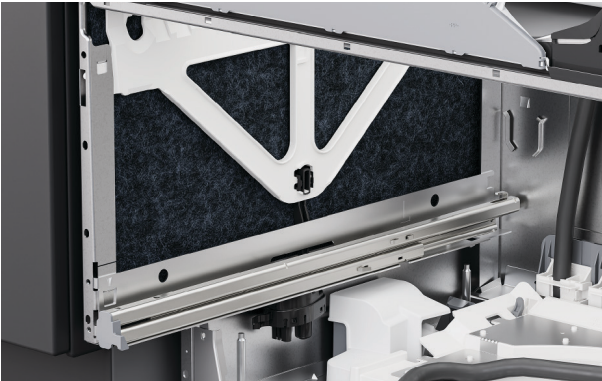
**3.** On the chassis sides, lift the insulation.

## SECURE THROUGH CHASSIS SLOT

---



1. Fit a screw in each chassis slot to secure to the cabinet. Partially tighten screws ensuring adjustments can be made.



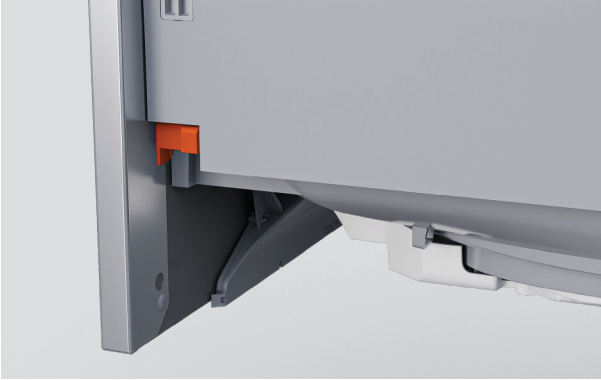
2. Refit insulation ensuring it is positioned correctly and will not obstruct the drawer runners.



3. To replace the tub, pull the drawer runners halfway out. Place the tub onto the runners.

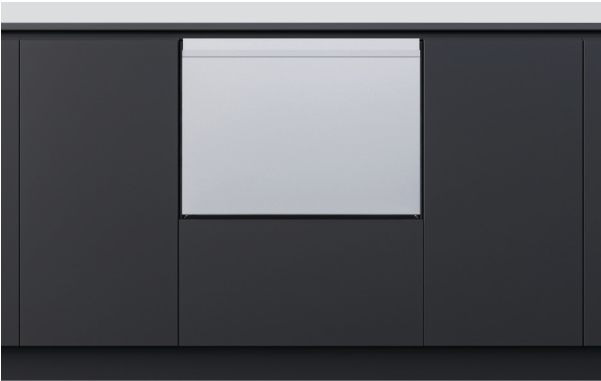
## SECURE THROUGH CHASSIS SLOT

---



4. Pull locking tabs forward and click the drawer into place.

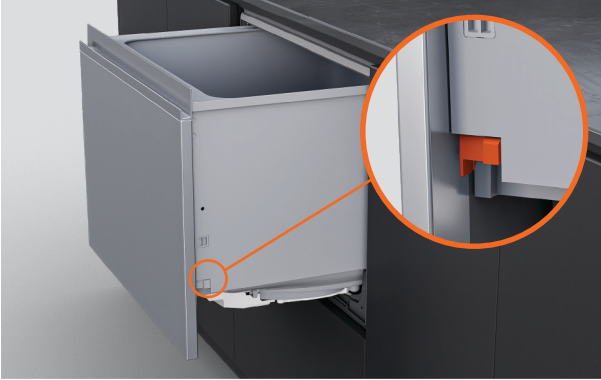
**Ensure hoses are not crushed or twisted when closing the drawer.**



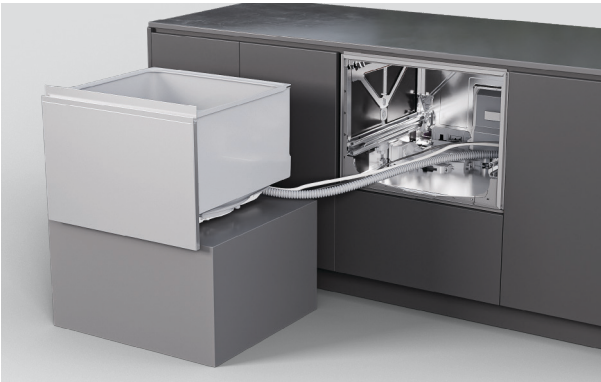
5. Check that the door is aligned with the surrounding cabinetry.

Adjust the dishwasher in the cavity if required.

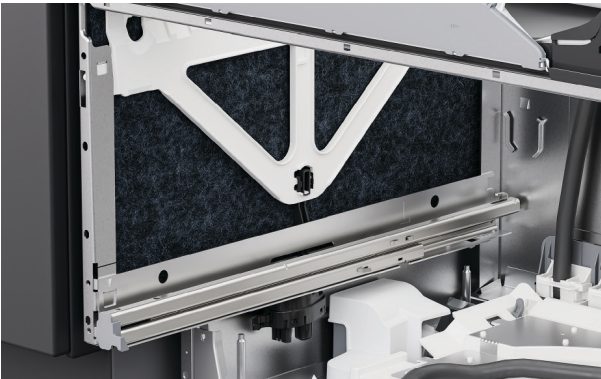
## SECURE THROUGH CHASSIS



**1.** Pull the drawer halfway out to remove the tub.  
On each side of the tub, push locking tabs back.

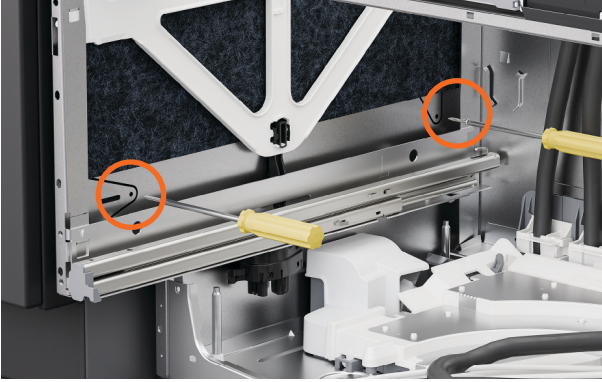


**2.** Place the drawer on a protected surface to the left of the appliance.

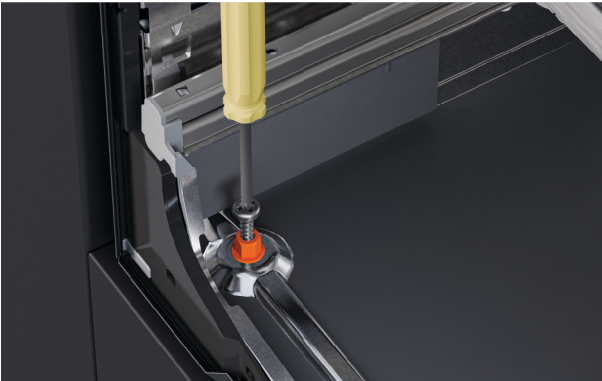


**3.** On the chassis sides, lift the insulation.

## SECURE THROUGH CHASSIS



4. Insert screws through the two holes on each side of the chassis.



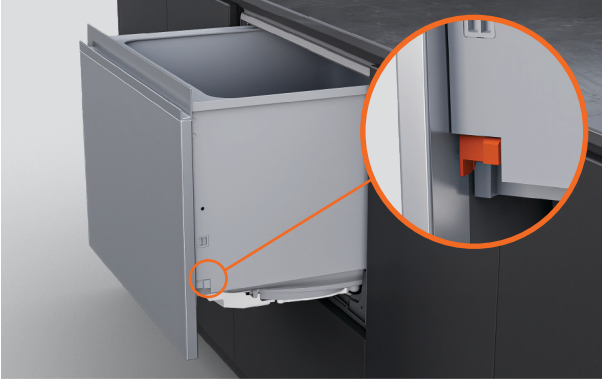
5. Insert the supplied 38mm screw and washer through the left hand hole on the bottom of the chassis.



6. Ensure insulation is repositioned correctly and will not obstruct the drawer runners.

## SECURE THROUGH CHASSIS

---



7. Place the tub back onto the runners, pull locking tabs forward and click drawer into place.

## SECURE USING BRACKETS

---



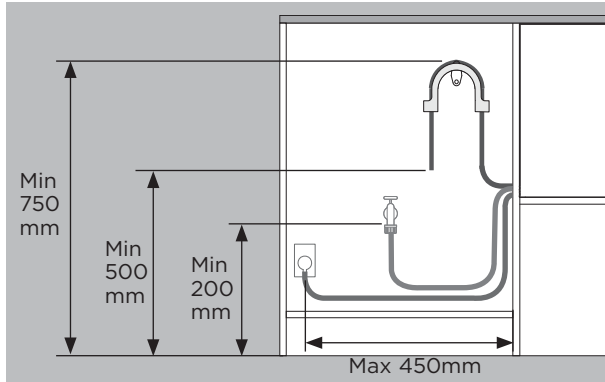
1. If using brackets, partially open the top drawer. Lift the rubber seal and remove the left and right screw covers from the trim.



2. Fix side brackets using the supplied screws and replace the screw covers.

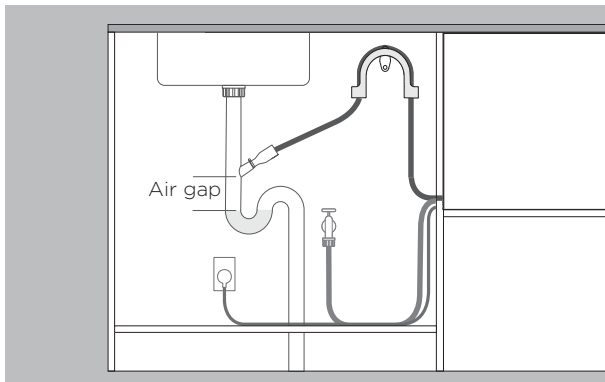
## DRAIN CONNECTION OPTIONS

Water softener models: Water pressure: maximum 1 MPa (145 psi), min. 0.1 MPa (14.5 psi).  
Non-watersoftener models: Water pressure: maximum 1 MPa (145 psi), min. 0.03 MPa (4.3 psi)  
Water connection: 3/4" BSP (GB20) to suit flat washer  
Recommended temperature: Cold (maximum 60°C)



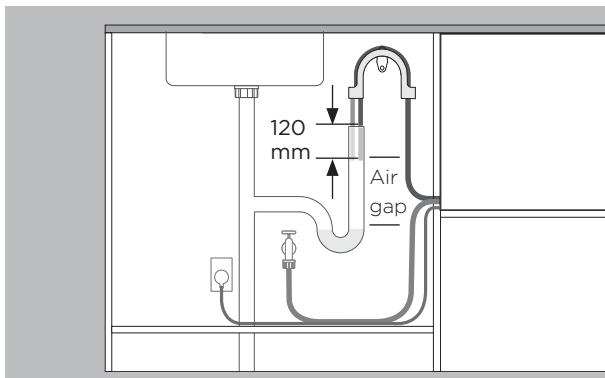
**Distances are the same for all installs.**

- Floor to support top - min 750mm.
- Floor to drain hose end - min 500mm.
- Floor to water inlet - min 200mm.
- Cabinet side to centre of electrical outlet - 450mm.



**Drainage routed to spigot**

- Spigot must be higher than standing water with an air gap between to avoid drainage issues.
- Remove excess drain hose to prevent hose drooping below the spigot height.



**Drainage routed to standpipe**

- Drain hose must be higher than standing water with an air gap between to avoid drainage issues.
- Remove excess drain hose.
- Hoses must not extend into standpipe more than 120mm.

## INSTALL DRAIN

Ensure the drain hose support is properly installed and the hose is correctly threaded through to prevent damage and drainage issues.

The dishwasher must not be drained into standing water.

If the drain hose supplied is not long enough to reach your services, a 3.6m drain hose extension kit is available at [fisherpaykel.com](http://fisherpaykel.com)



**1. Install the drain hose support** as close to the countertop as possible, with a minimum distance of 750mm from the floor

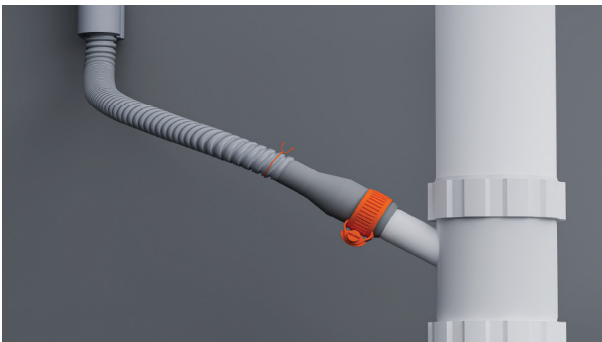
Thread the hose through the support.



**2. For connection to waste tee:**

To avoid shavings entering the plumbing system, remove the waste tee before drilling.

Unplug or drill out the waste tee minimum 13mm in diameter before securing joiner.



**3. Thread wire clips** on to the hoses.

Fit the hose to the supplied hose joiner and secure using the wire clips provided.

Ensure hose is routed straight to the joiner to avoid kinks that restrict drainage.

Trim drain hose if needed.

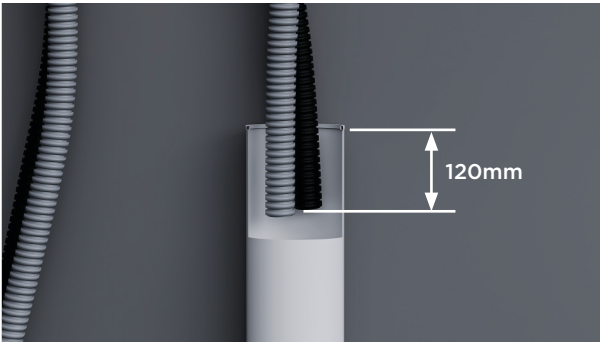
## INSTALL DRAIN

---



### 4. For connection to standpipe:

Pull both drain hoses through the support guide and rest in standpipe.



5. Ensure the hoses do not extend more than 120mm into the standpipe to prevent wastewater siphoning back into the tub.

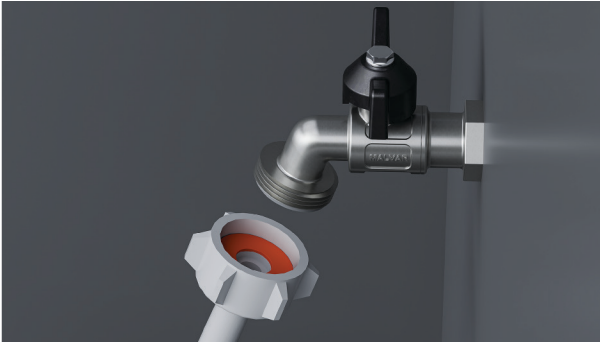
Hoses can be trimmed if necessary.

## CONNECT WATER INLET

---

Do not turn water supply on before power has been connected. The dishwasher must be powered on for flood protection to be enabled.

Isolation taps are required to allow the water supply to be shut off.



1. Check that the supplied rubber washer is inserted into the coupling.



2. Connect the inlet hose to the tap.

Ensure the inlet hose is not kinked and the tap is not pulled or under pressure.

Do not shorten the inlet hose.



3. Hand-tighten into place. Using a spanner or pliers, turn a further 180° to secure. Avoid over-tightening.

## CONNECT POWER

---

Electrical requirements: 220 - 240V minimum 4.8A

The power plug should be accessible after installation for maintenance.



1. Connect power.



2. Check the water connections.

Turn on the water supply and check for leaks.

The dishwasher must be powered on for flood protection to be enabled.

If power is to be disconnected, ensure water supply is turned off.

## INSTALLER CHECKLIST

---

### Installation

- If power is disconnected, ensure water supply is turned off to prevent flooding.
- Check all parts are installed correctly and are secure.
- Ensure all clearance gaps have been maintained.
- Ensure dishwasher is secure and drawer opens and closes freely with no resistance.
- Ensure any packaging or tape securing the racks and spray arm is removed.
- Check the spray arm is in place, mounted correctly and rotate freely.
- Ensure knock-to-pause module is fitted securely and operating correctly.

### Plumbing

- Ensure any knock-outs or plugs in drain connection have been drilled out and drain connection has been made.
- The drain hose joiner must not support the weight of excess hose material. Keep drain hose as fully extended as possible to prevent sagging. Any excess length of drain hose should be kept on the dishwasher side of the high loop.
- Ensure inlet hose has supplied rubber washer fitted, and that it's tightened.
- If connecting the drain hose to the sink trap, ensure the high loop is a minimum 150mm higher than the drain hose joiner.
- Water softener models: adjust the water softener setting from the default setting to suit the water hardness of the area. Refer to your user guide.
- Ensure water supply is turned off until power is connected and turned on. The Dishwasher must be powered on for the flood protection feature to be enabled.

### Electrical

- Ensure all electrical tests have been conducted in accordance with local regulations.

### Test operation

- Turn on the power and water supplies, then open the drawer. You should hear a beep and see a program indicator light up on the control panel.
- Add three cups of water into the drawer.
- Navigate to RINSE and start the program.
- Check the knock-to-pause function
- Repeat for the other drawer.
- After the Rinse cycle has finished, ensure the dishwasher has run and drained correctly.
- Check the water supply has been shut off correctly.
- Check drainage connections for leaks.
- If site is left without power after installation is complete, ensure water supply is turned off to prevent flooding.**

## INSTALLER CHECKLIST

---

Complete and keep for safe reference:

Model \_\_\_\_\_

Serial no. \_\_\_\_\_

Purchase date \_\_\_\_\_

Purchaser \_\_\_\_\_

Dealer address \_\_\_\_\_

Installer's name \_\_\_\_\_

Installer's signature \_\_\_\_\_

Installation company \_\_\_\_\_

Installation date \_\_\_\_\_



**FISHERPAYKEL.COM**

© Fisher & Paykel Appliances 2026. All rights reserved.

The models shown in this guide may not be available in all markets  
and are subject to change at any time.

The product specifications in this guide apply to the specific products and  
models described at the date of issue. Under our policy of continuous product  
improvement, these specifications may change at any time.

For current details about model and specification availability in your country,  
please go to our website or contact your local Fisher & Paykel dealer.

**592773B 03.26**