

# Front Loader Washer Dryer Combo, 7kg + 4kg

Series 5 | Combination

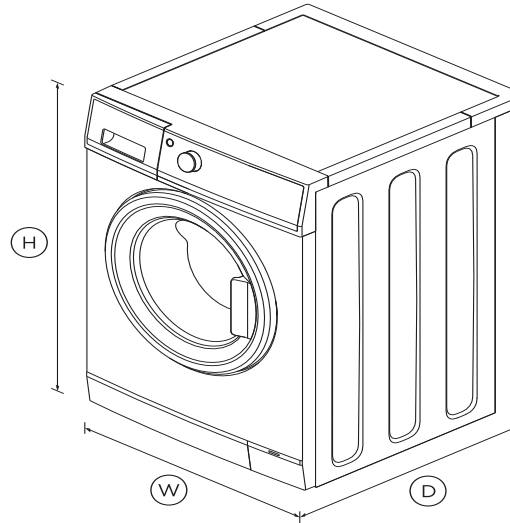


A complete laundry solution for when you need to maximise space while washing and drying your clothes with superior fabric care.

- With 10 continuous wash and dry cycles including Delicate and Quick wash, 10 wash only cycles and 9 dry only cycles
- 7kg wash load and 4kg dry load
- Easy installation with no venting required
- Wash and dry an average load in under three hours

## DIMENSIONS

Height	850mm
Width	600mm
Depth	590mm



## SPECIFICATIONS

### Consumption

Energy rating	A
Water consumption per cycle	51L

### Continuous Wash & Dry Cycles

Cottons	•
Everyday	•
Heavy	•
Quick Wash	•
Spin	•

Synthetics	•
Towels	•

### Features

Add a garment (immediate)	•
Anti-fungal door gasket	•
Auto out of balance correction	•
Child/Keylock	•
Cold water inlet	•
Controlled cold	•
Delay start	•
Detergent dispenser	•
Fabric softener dispenser	•
Flood protection	•
Pre Wash	•
Rinse +	•
SmartTouch™ control dial	•
Spin speeds	5
Stainless steel drum	•
Water temperature controls	5
Wrinkle Free	•

### Performance

Auto-Lint disposal	•
Maximum spin speed	1400 rpm
Number of spin speeds	5
SmartDrive™ technology	•
Vortex Wash	•

### Product dimensions

Depth	590mm
Height	850mm
Width	600mm

---

**A PEACE OF MIND SALE**

24 Hours 7 Days a Week Customer Support

T 08000 886 605 **W**[www.fisherpaykel.com](http://www.fisherpaykel.com)**Warranty**

Parts and labour	<b>5 years</b>
Parts only direct drive motor	<b>Additional 5 years</b>

---

**Wash Cycles**

Allergy	•
Cottons	•
Customise cycle	•
Delicate	•
Everyday	•
Heavy	•
Quick 30	•
Rinse	•
Spin	•
Synthetics	•
Towels	•

---

SKU	98136
-----	-------

---

The product dimensions and specifications in this page apply to the specific product and model. Under our policy of continuous improvement, these dimensions and specifications may change at any time. You should therefore check with Fisher & Paykel's Customer Care Centre to ensure this page correctly describes the model currently available. ? Fisher & Paykel Appliances Ltd 2020