

# 90cm Series 7 Integrated French Door Refrigerator Freezer, Ice & Water

Integrated

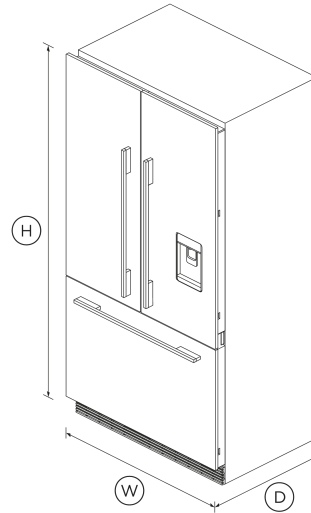


This large capacity refrigerator with bottom freezer seamlessly integrates into your kitchen, fitting flush into your cabinetry.

- ActiveSmart™ technology helps keep food fresher for longer by constantly maintaining the ideal temperature
- Customise with your own kitchen cabinetry or purchase our stainless steel door panel accessory
- Water dispenser available with stainless steel door panel accessory
- Spacious bottom freezer with full extension drawer and ice maker with boost function

## DIMENSIONS

Height	1797 mm
Width	896 mm
Depth	610 mm



## FEATURES & BENEFITS

### ACTIVESMART™ FOODCARE

ActiveSmart™ Foodcare learns how you live. It's technology which understands how you use your refrigerator and adjusts temperature, airflow and humidity inside to help keep food fresher for longer.

### Simple Storage

This refrigerator is designed to make it simple for you to store, access and remove food. Storage bins give you full access inside when they're pulled open and can be easily removed to clean. Our flexible shelving also gives you more storage options.

### Ice Maker

Fresh ice is always available for you in a dedicated freezer bin. Simply turn it off to free up freezer space or during busy times, you can boost ice production by up to 30%.

### Water Dispenser

The slimline dispenser makes it easy to fill almost any sized jug or vessel with cool filtered water and doesn't take up any storage space in your refrigerator. You'll need to purchase our stainless steel door panel in order to use the water dispenser.

### Easy Cleaning

No more permanent dirty marks with our EZKleen feature for stainless steel refrigerators. Anti-fingerprint coating means you simply wipe clean any marks. Spill-safe secure glass shelves easily capture any drips or leaks.

### Clever energy

Your refrigerator adapts to daily use by cooling and defrosting only when needed. This ActiveSmart™ technology means better energy efficiency without compromising on food care.

## SPECIFICATIONS

### Accessories (sold separately)

Door panel set stainless steel	RD90AU
Handle kit Classic	AHCLR90A
Handle kit Contemporary round, aluminium	AHS-ASBI-A
Handle kit Contemporary square fine, aluminium	AHD5RD90A
Handle kit Contemporary square fine, black	AHD5RD90AB

Water filter replacement	<b>847200 - FWC3</b>	Spill proof removable bins	•	Width	<b>896 mm</b>
<hr/>		Stackable bottle holders	<b>4</b>	<hr/>	
<hr/>		Ultra slim water dispenser	•	<hr/>	
<b>Capacity</b>		<b>Product information</b>			
Volume freezer	<b>145 L</b>	Unpackaged weight			
Volume refrigerator	<b>331 L</b>	<b>138 kg</b>			
<hr/>		<hr/>			
<b>Connected Features</b>		<b>Variable Temp Compartment</b>			
Alerts and notifications	•	Bottle chill mode			
Education and onboarding	•	•			
Remote operation	•	<hr/>			
Software updates	•	SKU			
<hr/>		<b>26657</b>			
<hr/>		<hr/>			
<b>Consumption</b>		The product dimensions and specifications in this page apply to the specific product and model. Under our policy of continuous improvement, these dimensions and specifications may change at any time. You should therefore check with Fisher & Paykel's Customer Care Centre to ensure this page correctly describes the model currently available. © Fisher & Paykel Appliances Ltd 2020			
Energy rating	<b>E</b>	<hr/>			
Energy usage	<b>304kWh/year</b>	<hr/>			
<hr/>		<hr/>			
<b>Features</b>		<b>Other product downloads available at fisherpaykel.com</b>			
Adjustable door shelves	<b>6</b>	<a href="#">↓</a> DXF			
Adjustable glass shelves	<b>3</b>	<a href="#">↓</a> Declaration of Conformity (English)			
Covered door shelves	<b>2</b>	<a href="#">↓</a> Declaration of Conformity (English)			
Deli storage bins	<b>1</b>	<a href="#">↓</a> DWG			
Door alarm	•	<a href="#">↓</a> Energy Label			
Fruit and vegetable bins	<b>2</b>	<a href="#">↓</a> Installation Guide (Danish)			
LED lighting	•	<a href="#">↓</a> Installation Guide (Dutch)			
Smart appliance	•	<a href="#">↓</a> Water Filter Replacement Instructions - Parts 847200 and 847201 (English)			
SmartTouch control panel	•	<a href="#">↓</a> Installation Guide (Finnish)			
Soft close doors	•	<a href="#">↓</a> Installation Guide (French)			
<hr/>		<hr/>			
<b>Freezer Features</b>		<hr/>			
Automatic ice maker	•	<b>Power requirements</b>			
Bottle chill	•	Rated current			
Door alarm	•	<b>10 A</b>			
Fast freeze	•	Supply frequency			
Ice bin and scoop	•	<b>50 Hz</b>			
Large plastic bins	•	Supply voltage			
<hr/>		<b>230 V</b>			
<hr/>		<hr/>			
<b>Performance</b>		<b>Product dimensions</b>			
ActiveSmart™ Foodcare	•	Depth			
Adaptive defrost	•	<b>610 mm</b>			
Frost free freezer	•	Height			
Humidity control system	•	<b>1797 mm</b>			
Sabbath mode	•	<hr/>			
<hr/>		<hr/>			

- [↓ Installation Guide \(German\)](#)
- [↓ Installation Guide \(Hebrew\)](#)
- [↓ Installation Guide \(Italian\)](#)
- [↓ Installation Guide \(Norwegian\)](#)
- [↓ Installation Guide \(Spanish\)](#)
- [↓ Installation Guide \(Swedish\)](#)
- [↓ Product Information Sheet](#)
- [↓ Planning Guide \(English\)](#)
- [↓ Revit](#)
- [↓ Rhino](#)

**Where applicable:**

All appliances use energy, and energy usage typically generates carbon emissions. **Fisher & Paykel Appliances' In-use Energy Carbon Emissions Estimate** indicates carbon emissions from a product's in-use energy. This is calculated either annually or per cycle, using the product's market-specific energy label energy consumption data multiplied by the carbon emissions factor for energy in your country or region.

Our In-use Energy Carbon Emissions Estimate is designed to assist customers in making informed purchasing decisions when comparing different Fisher & Paykel products. For example, a heat pump dryer typically has a lower In-use Energy Carbon Emissions Estimate than a vented dryer.



**A PEACE OF MIND SALE**  
24 Hours 7 Days a Week Customer Support  
T 08000886605 W [www.fisherpaykel.com](http://www.fisherpaykel.com)