

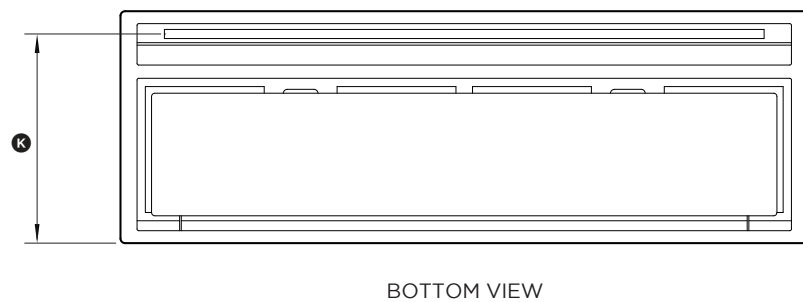
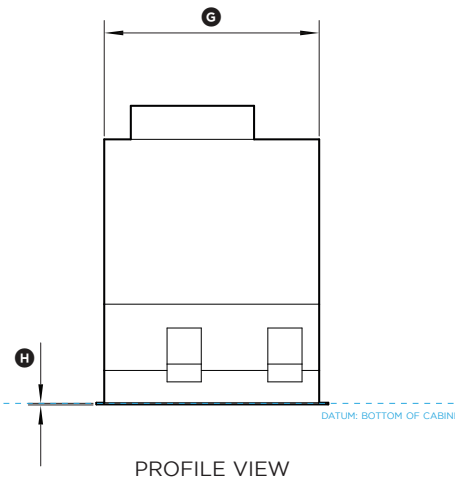
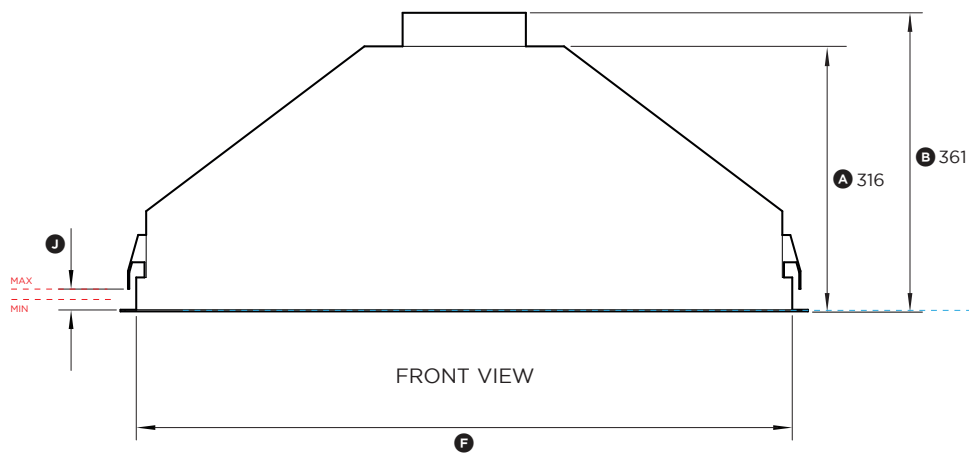
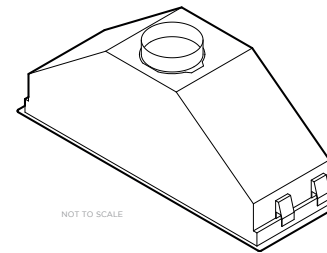
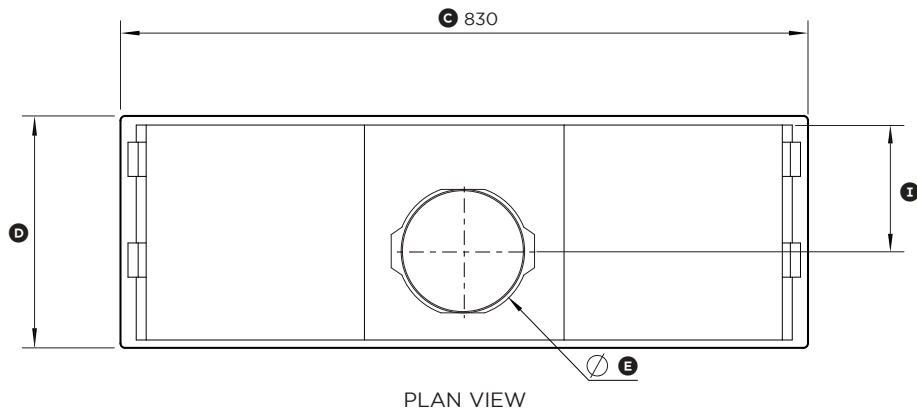
FISHER & PAYKEL

DATA SHEET

Integrated Insert Cooker Hood, 90cm

Model nos:

HP90IHCB4



| Product Dimensions | mm |
|--|------------------|
| Ⓐ Overall height of cooker hood without ducting adaptor | 316 |
| Ⓑ Overall height of cooker hood with ducting adaptor | 361 |
| Ⓒ Overall width of cooker hood | 830 |
| Ⓓ Overall depth of cooker hood (excl. cabinetry front panel) | 280 |
| Ⓔ Diameter of ducting adaptor | 150 |
| Ⓕ Width of cooker hood chassis | 792 |
| Ⓖ Depth of cooker hood chassis | 258 |
| Ⓗ Thickness of flange | 2 |
| Ⓘ Distance from ducting outlet centre to rear of chassis | 152 |
| Ⓚ Height adjustability of clip that secures cooker hood (cabinet base panel thickness) | min 15 max 40 |
| Ⓛ Distance from rear to centre of light | 253 |

| Cavity Dimensions Standard Installation | mm |
|---|-----|
| Width of cutout | 800 |
| Depth of cutout | 260 |

| Minimum distance above cooktops | mm |
|--|-----|
| Minimum height from top of electric cooktop to base of product | 600 |
| Minimum height from top of gas cooktop to base of product | 650 |

Minimum height may be greater if required by your cooktop. Refer to cooktop installation guide for details.

Note: We recommend the cabinet has a door or service panel that can be easily opened to access the power connection.

INDICATES CUTOUT -----
 INDICATES PRODUCT DATUM -----
 INDICATES CABINETY CLEARANCES -----

DATE: 22.08.2023

90003271A

IMPORTANT NOTE: Throughout this guide, dimensions may vary by ±2mm (1/16"). Please read the installation guide for detailed information on installing the product. For full installation instructions & specifications visit fisherpaykel.com

