

FISHER & PAYKEL

PRELIMINARY SPECIFICATION GUIDE

FRONT LOADER WASHING MACHINE, 11KG SERIES 9



OVERVIEW

Designed to handle large loads, this 11kg front loader has advanced wash functions including intuitive ActiveIntelligence™ technology. The new Steam Refresh cycle is perfect for quickly reducing odours and de-wrinkling clothes, while a 4.5 Star Water Rating and 4.5 Star Energy Rating ensures less resources are used. Works with Google Assistant and Amazon Alexa, and can be paired with a matching dryer for a clean, considered laundry.

MODELS

Front Loader Washing Machine, 11kg
WH1160F2

SERIES

Series 9
Front Loader

FEATURES

- ① Designed to match our dryers with outstanding aesthetics and complimentary wash cycles
- ② Optimal clean with ActiveIntelligence™ Technology
- ③ Better fabric care with SmartDrive™ Technology
- ④ Fast and even mixing of detergent with Vortex Wash
- ⑤ Steam Refresh cycle de-wrinkles, deodorises, and refreshes clothes
- ⑥ Add or remove items during the wash cycle with Add a Garment
- ⑦ Wool cycle with a Woolmark™ guarantee
- ⑧ Works with Google Assistant and Amazon Alexa
- ⑨ Option to download cycles via easy-to-use app
- ⑩ Intuitive LCD display

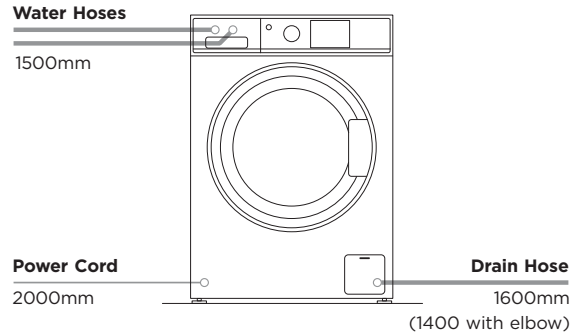
FISHER & PAYKEL

PRELIMINARY SPECIFICATION GUIDE

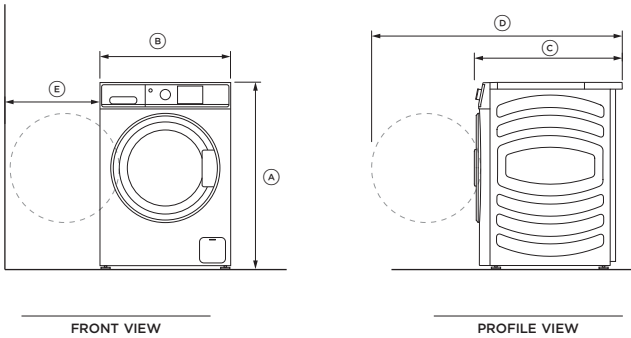
FRONT LOADER WASHING MACHINE, 11KG SERIES 9

SPECIFICATIONS

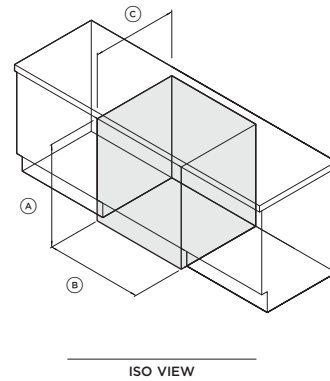
Model No.	WHT160F2
Dimensions	H 850mm W 600mm D 675mm
Weight	82kg
Electrical	
Supply	220V - 240V, 50Hz
Service	10-amp circuit
Outlet	3-prong grounding-type
Plumbing	
Supply	Hose set provided
Pressure	Max. 1MPa (150psi) Min. 30KPa (4.5psi), Min. 6 litres/min



PRODUCT DIMENSIONS



CAVITY DIMENSIONS: STANDARD INSTALLATION



	mm
(A) Overall height*	
• Min	845
• Max	860
(B) Overall width	600
(C) Overall depth**	675
(D) Depth with the door open	1080
(E) Min. door clearance to adj. wall	355

* Includes adjustable mounted feet and the range of movement

** Includes dial and door when closed

	mm
(A) Minimum height*	865
(B) Minimum width	640
(C) Minimum overall cavity depth	
• Flush with front panel of the product	655
• In cupboard	715
Minimum gap clearance to adjacent product or cabinetry**	20

* Depends on feet adjustment

** Applies to sides, top and rear