

Oven, 60cm, 16 Function, Self-cleaning

Series 9 | Contemporary

Stainless Steel

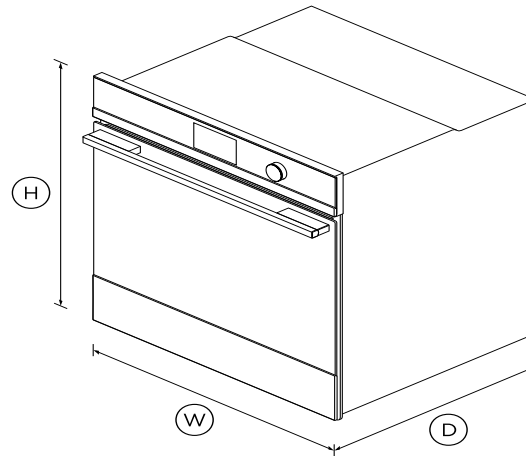


A highlight of the Fisher & Paykel collection, this Series 9 oven with touchscreen ensures that every dish is cooked to perfection.

- Touchscreen guided cooking capability offers helpful guidance for different food types as well as full recipes
- 85L total capacity with 16 oven functions including Roast and Pastry Bake
- Moisture level control with ActiveVent™ technology
- Pyrolytic self-cleaning function breaks down food residue for an easy clean

DIMENSIONS

| | |
|--------|-------|
| Height | 598mm |
| Width | 596mm |
| Depth | 565mm |



FEATURES & BENEFITS

COOK WITH CONFIDENCE

Our touchscreen interface provides an intuitive guided cooking experience that helps deliver perfect results, whether you've been cooking all your life or just starting out. Cook with a favourite method, a hero ingredient, or a go-to cooking function or recipe.

GENEROUS CAPACITY

With a generous 85L total capacity, you can create several perfectly cooked dishes at once using multiple shelves.

EXCEPTIONAL PERFORMANCE

Our unique cooking technologies were developed to deliver perfect results. ActiveVent ensures optimised moisture levels, while AeroTech circulates heat evenly for a consistent temperature.

MULTI-FUNCTION FLEXIBILITY

The cooking functions have each been tailored, tested, tweaked and perfected to ensure that no matter what you're cooking, you've got the right heat to match. Purchase our Wireless Temperature Sensor accessory and precisely monitor cooking in real time (accessory sold separately).

SELF-CLEANING

Our pyrolytic self-cleaning technology breaks down food residue at a very high temperature, leaving a light ash that's easily removed with a damp cloth. The enamel coated side racks don't need to be removed when using this function.

DESIGN FREEDOM

Available in an elegant black or a stylish black with stainless steel, this oven is designed to fit seamlessly into your kitchen. Premium materials and detailing support a cohesive, considered kitchen design.

SPECIFICATIONS

Accessories

| | |
|--------------------------------|--------|
| Full extension sliding shelves | 2 sets |
| Grill rack | 1 set |
| Roasting dish | 1 |
| Smokeless grill tray | 1 |
| Step down wire shelf | 1 |
| Wired temperature sensor | 1 |

Accessories (sold separately)

| | |
|--------------------------|------------|
| Optional Accessory round | Part 81645 |
|--------------------------|------------|

| | |
|-----------------|------------|
| Capacity | |
| Shelf positions | 6 |
| Total capacity | 85L |
| Usable capacity | 72L |

| | |
|--------------------------------|---|
| Cleaning | |
| Acid resistant graphite enamel | • |
| Pyrolytic self-clean | • |
| Removable oven door | • |
| Removable oven door inner | • |
| Removable shelf runners | • |

| | |
|--------------------|----------|
| Consumption | |
| Energy rating | A |

| | |
|-------------------------------|--------------------------------|
| Controls | |
| Adjustable audio and display | • |
| Automatic cooking/minute | • |
| Automatic pre-set | • |
| Celsius/Fahrenheit | • |
| Dial with illuminated halo | • |
| Electronic clock | • |
| Electronic oven control | • |
| Food probe | • |
| Guided cooking by food type | • |
| Intuitive touchscreen display | • |
| Multi-language display | UK English, US English, |
| Sabbath mode with Federation | • |

| | |
|----------------------|-----------|
| Functions | |
| Air fry | • |
| Bake | • |
| Classic bake | • |
| Dehydrate | • |
| Fan bake | • |
| Fan forced | • |
| Fan grill | • |
| Grill | • |
| Number of functions | 16 |
| Pastry Bake | • |
| Pizza bake | • |
| Pyrolytic self-clean | • |
| Rapid proof | • |
| Roast | • |
| Slow cook | • |
| Vent bake | • |
| Warm | • |

| | |
|--------------------------|--------------|
| Performance | |
| ActiveVent™ system | • |
| AeroTech™ technology | • |
| Automatic rapid pre-heat | • |
| Grill power | 3000W |
| Whisper quiet cooking | • |

| | |
|---------------------------|-------------|
| Power requirements | |
| Amperage | 15A |
| Supply frequency | 50Hz |

Supply voltage **220 - 240V**

| | |
|---------------------------|--------------|
| Product dimensions | |
| Depth | 565mm |
| Height | 598mm |
| Width | 596mm |

| | |
|--------------------------|---|
| Safety | |
| Balanced oven door | • |
| Catalytic venting system | • |
| Control panel key lock | • |
| CoolTouch door | • |
| Non-tip shelves | • |

| | |
|------------------|----------------|
| Warranty | |
| Parts and labour | 5 years |

SKU **81782**

The product dimensions and specifications in this page apply to the specific product and model. Under our policy of continuous improvement, these dimensions and specifications may change at any time. You should therefore check with Fisher & Paykel's Customer Care Centre to ensure this page correctly describes the model currently available. ? Fisher & Paykel Appliances Ltd 2020



A PEACE OF MIND SALE

24 Hours 7 Days a Week Customer Support

T 1800 625174 **W** www.fisherpaykel.com