

# Double DishDrawer™ Dishwasher, Tall, Sanitize

Series 9 | Contemporary

Black Stainless Steel

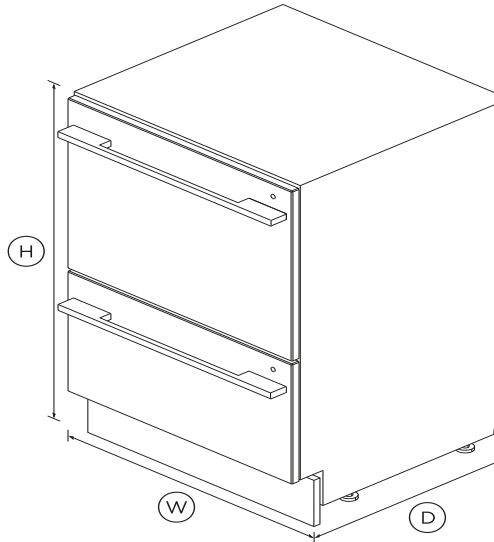


Doing the dishes got easier. Load one drawer while the other washes – with the top drawer fitting your large dinner plates easily.

- Black stainless steel, pairing well with other Fisher & Paykel black appliances
- Six wash programs, as well as additional Quick wash, Sanitise and Extra Dry options
- Flexible racking can be folded down to fit bigger dishes

## DIMENSIONS

Height	34 - 36 3/8"
Width	23 9/16"
Depth	22 9/16"



## FEATURES & BENEFITS

### Multiple wash types

Wash modifiers allow you to use specialized cycle settings. Quick delivers faster with no performance reduction, Sanitize provides extra protection from bacteria, and Extra Dry is perfect for plastic dishes.

### Ease of use

The DishDrawer™ Dishwasher features smooth open and close action, and flexible racking allows adjustment for dishes of all shapes and sizes. The taller top drawer provides extra space for

large dishes.

### Beauty of choice

As much a high performance appliance as a design component, the black DishDrawer™ Dishwasher brings a touch of sophistication to your kitchen, whether on its own or part of a matching kitchen appliance set.

### Independent washing

With the ability to use both drawers independently and select different wash programs, the DishDrawer™ Dishwasher can wash everything from fine glass and crystal to heavily soiled pots and pans.

### True Half Load

Each drawer holds a true half load for small, fast dish washing that won't waste water. Both drawers operate independently so different wash cycles can operate simultaneously to accommodate varying loads.

### Quiet performer

The DishDrawer™ Dishwasher does its job without making a fuss - running at a very low decibel rating, they produce little in the way of noise.

## SPECIFICATIONS

### Accessories

Cutlery basket	•
Kickstrip	<b>included</b>
Knife clip and multipurpose	•

### Capacity and loading

Accommodates round plates	<b>12.25" (top) 11" (bottom)</b>
Adjustable height, foldable	•
Fold down tines	•
Pitch adjustable tines	•

**Consumption**

Energy rating	•
Energy usage	<b>263 kWh/year</b>

**Controls**

Child lock	•
Electronic fault/Diagnostic	•
End of cycle beeps	•
Energy saving delay start	•
Internal wash selector	•
Rinse aid indicator light	•

**Features**

Fan assisted drying	•
Flow through detergent	•
Quiet operation	•
SmartDrive™ technology	•

**Performance**

Noise on gentle cycle top	<b>44dBA</b>
---------------------------	--------------

**Power requirements**

Amperage	<b>9.6A</b>
Rated current	<b>15A</b>
Supply frequency	<b>60Hz</b>
Supply voltage	<b>120V</b>

**Product dimensions**

Depth	<b>22 9/16"</b>
-------	-----------------

Height	<b>34 - 36 3/8"</b>
Width	<b>23 9/16"</b>

**Warranty**

Parts and labor	<b>limited 2 year parts &amp; labour</b>
-----------------	------------------------------------------

**Wash Programs**

Delicate	•
Eco	•
Extra Dry	•
Fast	•
Heavy	•
Medium	•
Normal eco	•
Number of wash programs	<b>6</b>
Quick	•
Rinse	•
Sanitize	•
Wash modifiers	<b>3</b>

**Water connection**

Inlet water temperature	<b>Max 140°F</b>
Supplied hose to suit 3/8"	•

SKU	81834
-----	-------

TEST The product dimensions and specifications in this page apply to the specific product and model. Under our policy of continuous improvement, these dimensions and specifications may change at any time. You should therefore check with Fisher

& Paykel's Customer Care Centre to ensure this page correctly describes the model currently available. ? Fisher & Paykel Appliances Ltd 2020



**A PEACE OF MIND SALE**

24 Hours 7 Days a Week Customer Support

T 1.888.936.7872 W [www.fisherpaykel.com](http://www.fisherpaykel.com)