

# Top Loader Washing Machine, 8.5kg

Series 5 | Top Load

White

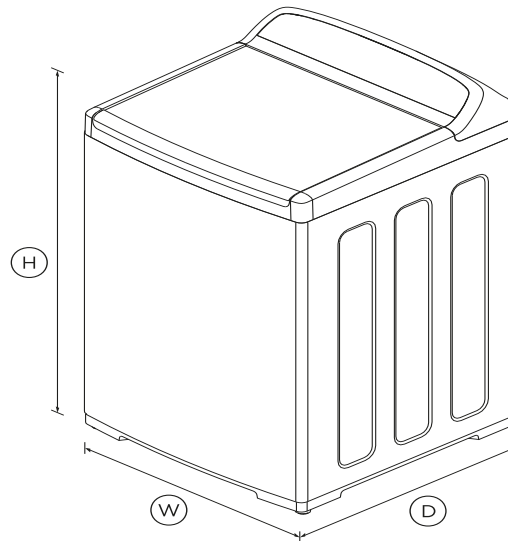


With room for large loads, this top loader runs on SmartDrive™ technology for a quieter, quicker wash.

- Six wash cycles including Allergy, Wool, Delicate and a 30 minute Quick cycle to cater to busy lives
- Includes extra wash feature Soak, for helping to clean tough stains
- Soft-close lid avoids slamming and allows for hands-free operation
- Fast 1000RPM spin speed to remove more water for quicker drying

## DIMENSIONS

|        |               |
|--------|---------------|
| Height | 1045 - 1075mm |
| Width  | 600mm         |
| Depth  | 600mm         |



## FEATURES & BENEFITS

### Fast full load

Fast cycle times allow you to wash a full 8.5kg load in as little as 59 minutes.

### Easy to use

This machine has a cycle to suit every type of load including Delicate, Allergy and Wool. Select a cycle with easy-to-use SmartTouch™ controls.

### Soft close lid

The robust lid has a soft close mechanism that makes it family safe, avoids slamming and allows for hands-free operation.

### Cares for clothes

The flexible finned agitator ensures less tangling for superior clothes care.

## SPECIFICATIONS

### Consumption

|                             |                 |
|-----------------------------|-----------------|
| Energy rating               | 2.5 star        |
| Energy usage                | 568kWh/year     |
| In-use energy carbon        | 76.9kgCO2e/year |
| Water consumption per cycle | 96L             |
| Water efficiency            | 3.5 star (WELS) |

### Features

|                                |                 |
|--------------------------------|-----------------|
| Adjustable alert beeps         | •               |
| Agitator                       | Flexible finned |
| Auto out of balance correction | •               |
| Automatic water level          | •               |
| Controlled cold                | •               |
| Delay start                    | •               |
| Detergent dispenser            | •               |
| Eco rinse                      | •               |
| Fabric softener dispenser      | •               |
| Lid lock                       | •               |
| Manual water levels            | 5               |
| No spin / Spin Hold            | •               |
| Rinse options                  | 3               |
| SmartTouch™ control dial       | •               |

|                            |   |
|----------------------------|---|
| Soak                       | • |
| Spin speeds                | 3 |
| Stainless steel drum       | • |
| Water temperature controls | 5 |

**Performance**

|                        |         |
|------------------------|---------|
| Auto-Lint disposal     | •       |
| Load sensing           | •       |
| Maximum spin speed     | 1000rpm |
| Number of spin speeds  | 3       |
| SmartDrive™ technology | •       |

**Product dimensions**

|                   |               |
|-------------------|---------------|
| Depth             | 600mm         |
| Height            | 1045 - 1075mm |
| Height (Lid open) | 1350 - 1380mm |
| Width             | 600mm         |

**Warranty**

|                              |          |
|------------------------------|----------|
| Parts and labour             | 2 years  |
| Parts only SmartDrive™ Motor | 10 years |

**Wash Cycles**

|                       |   |
|-----------------------|---|
| Allergy               | • |
| Delicate              | • |
| Heavy                 | • |
| Number of wash cycles | 6 |
| Quick                 | • |
| Regular               | • |
| Wool                  | • |

SKU 92263

The product dimensions and specifications in this page apply to the specific product and model. Under our policy of continuous improvement, these dimensions and specifications may change at any time. You should therefore check with Fisher & Paykel's Customer Care Centre to ensure this page correctly describes the model currently available. ? Fisher & Paykel Appliances Ltd 2020

**Other product downloads available at fisherpaykel.com**

- [↓](#) User Guide
- [↓](#) Service & Warranty
- [↓](#) Energy & Water Label
- [↓](#) Installation Guide



**A PEACE OF MIND SALE**

24 Hours 7 Days a Week Customer Support

T 0800 372 273 W www.fisherpaykel.com