

# FISHER & PAYKEL

## PRELIMINARY SPECIFICATION GUIDE

## TALL WARMING DRAWER, 60CM



Tall Warming Drawer WB60SMTB1-SET, paired with Coffee Maker EB60MSB1

### OVERVIEW

Designed to complement our Minimal style ovens, these warming drawers are handle-free, and push-to-open for a coherent, considered look. Beautiful to use, with capacitive touch controls and six tailored functions for warming, proofing, dehydrating and slow cook. Pair with other companion products to create a kitchen suite for every need.

### MODELS

#### Tall Warming Drawer, 60cm, Panel Ready\*

Minimal Black  
WB60SMTB1-SET

\*This model comes with an accessory door panel, and is not suitable for use with a custom door panel

### SERIES & STYLE

Series 9  
Minimal Black

### FEATURES

- ① Styled to perfectly match our Minimal kitchen appliances
- ② Seamless pairing with our Minimal style ovens and other companion products
- ③ Push-to-open drawer
- ④ Easy-to-use capacitive touch controls
- ⑤ Automatic timing and switch-off functionality
- ⑥ Easy-to-clean, smooth-glass base
- ⑦ Room for 16 standard-sized place settings
- ⑧ Versatile with six tailored programmes for warming, proofing, dehydrating and slow cook

### ACCESSORIES

- ① Accessory rack for optimising space

# FISHER & PAYKEL

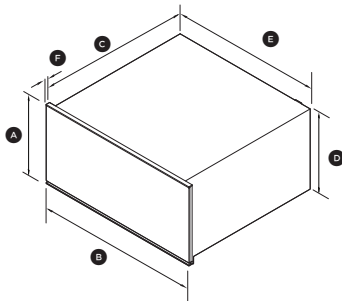
## PRELIMINARY SPECIFICATION GUIDE

## TALL WARMING DRAWER, 60CM

### PRODUCT SPECIFICATIONS

Model No.	WB60SMTBI-SET
Dimensions	H 290mm W 596mm D 567mm
Weight	37kg
Electrical	
Supply	220 - 240 V, 50 Hz
Service	10 A
Connection	Flex cord
Power cord length	1800mm

### PRODUCT DIMENSIONS

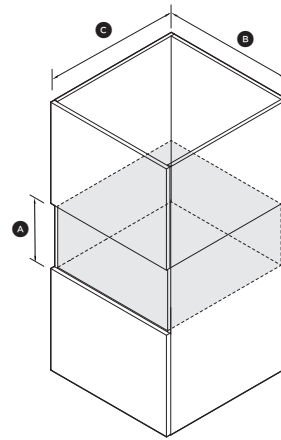


	mm
(A) Overall height	290
(B) Overall width	596
(C) Depth front panel	20
(D) Height of chassis	290
(E) Width of chassis	543
(F) Depth of chassis*	547

\* Including power plug

NOTE: The drawer can fully support 60cm Fisher & Paykel wall oven, without adding shelf in between.

### CAVITY DIMENSIONS: STANDARD INSTALLATION



	mm
(A) Minimum inside height	292
(B) Minimum inside width	560
(C) Minimum inside depth	550