

Oven, 30", 10 Function, Self-cleaning

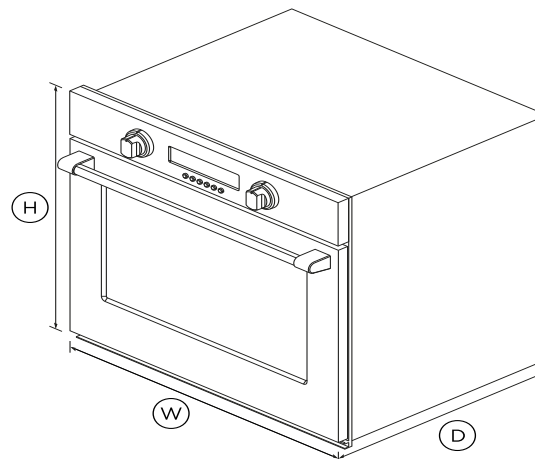
Series 9 | Professional



A highlight of the Fisher & Paykel range, this Series 9 oven ensures that every dish you create is cooked to perfection.

DIMENSIONS

Height	27 ¹ / ₈
Width	29 ³ / ₄
Depth	23 ⁵ / ₁₆



SPECIFICATIONS

Capacity	
Shelf positions	8
Controls	
Halogen lights	3
True convection oven	•

Functions

Bake	•
Broil	•
Convection Broil	•
Convection bake	•
Convection pastry	•
Maxi Broil	•
Number of functions	10
Pastry Bake	•
Roast	•
True convection	•
Warm	•

Performance

Broil power	4,400W
-------------	--------

Power requirements

Rated current	30A
Supply frequency	60Hz
Supply voltage	120 - 240V

Product dimensions

Depth	23 ⁵ / ₁₆
Height	27 ¹ / ₈
Width	29 ³ / ₄

SKU	71377
-----	-------

The product dimensions and specifications in this page apply to the specific product and model. Under our policy of continuous improvement, these dimensions and

specifications may change at any time. You should therefore check with Fisher & Paykel's Customer Care Centre to ensure this page correctly describes the model currently available. ? Fisher & Paykel Appliances Ltd 2020



A PEACE OF MIND SALE

24 Hours 7 Days a Week Customer Support

T 1.888.936.7872 **W** www.fisherpaykel.com