

# Integrated Column Freezer, 30", Ice

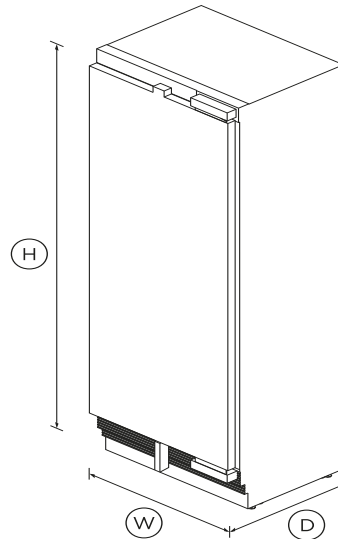
Series 9 | Integrated



Install it separately or pair with another Column for seamless kitchen integration - this model is right hinge with white interior.

## DIMENSIONS

Height	84
Width	29 <sup>3</sup> / <sub>4</sub>
Depth	24



## SPECIFICATIONS

### Accessories

30" Stainless steel toe kick	25392
48" Stainless steel toe kick	25396
54" Stainless steel toe kick	25398
60" Stainless steel toe kick	25400
Joiner kit	24985
Stainless steel door panel	24972

## Features

Adjustable door shelves	4
Adjustable glass cantilevered	3
SmartTouch interface at	.

## Freezer Features

Automatic ice maker	.
Bottle chill	.
Door alarm	.
Fast freeze	.
Freezer bins	4
Ice Boost	.
LED bin lighting	.
LED ceiling lighting	.
LED side lighting	.

## Performance

ActiveSmart™ Foodcare	.
ActiveSmart™ technology	.
Adaptive defrost	.
Dual evaporator	.
Frost free	.
Frost free freezer	.
Inverter controlled compressor	.
Sabbath mode	.
Variable food modes	<b>Soft freeze; Freeze; Deep</b>

## Power requirements

Rated current	10A
Supply frequency	60Hz

Supply voltage	115V
----------------	------

---

**Product dimensions**

Depth	24
Depth (less door)	24"
Height	84
Width	29 <sup>3</sup> / <sub>4</sub>

---

**Product information**

Packaged weight	309lbs
Unpackaged weight	294lbs

---

**Warranty**

Sealed system parts and labor	<b>additional 3 years</b>
-------------------------------	---------------------------

---

SKU	24966
-----	-------

---

**A PEACE OF MIND SALE****24 Hours 7 Days a Week Customer Support****T 1.888.936.7872 W [www.fisherpaykel.com](http://www.fisherpaykel.com)**

The product dimensions and specifications in this page apply to the specific product and model. Under our policy of continuous improvement, these dimensions and specifications may change at any time. You should therefore check with Fisher & Paykel's Customer Care Centre to ensure this page correctly describes the model currently available. ? Fisher & Paykel Appliances Ltd 2020