

# Freestanding Refrigerator Freezer, 63.5cm, 381L

Series 5 | Contemporary

Stainless Steel | Right Hinge

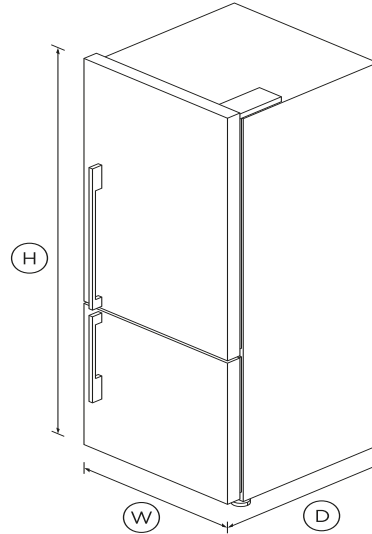


With generous storage and stylish stainless steel design for a timeless look. Perfect for smaller kitchens.

- ActiveSmart technology to help keep food fresher for longer by stopping temperature fluctuation
- Spacious bottom freezer with easy-slide internal drawers to separate storage
- Choose which side you'd like your door hinge on to suit your kitchen layout

## DIMENSIONS

Height	1715mm
Width	635mm
Depth	695mm



## FEATURES & BENEFITS

### ACTIVESMART FOODCARE

Every time you open your refrigerator, the temperature around your food changes. ActiveSmart foodcare adjusts airflow to create a stable temperature, helping your food stay fresher for longer.

### EASY CLEANING

No more permanent dirty marks with our EZKleen feature for stainless steel refrigerators. Anti-fingerprint coating means you simply wipe clean any marks. Spill-safe secure glass shelves

easily capture any drips or leaks.

### DESIGN QUALITY

Our refrigerators are designed and built using quality materials. We use real stainless steel, and solid glass for shelving as well as in our wine cabinet doors.

### CLEVER ENERGY

Your refrigerator adapts to daily use by cooling and defrosting only when needed. This means it uses the energy it needs without compromising on food care.

### HUMIDITY CONTROL

Your fruit and veges need different environments. The humidity control slides in each storage bin create a perfect microclimate for each, which helps keep them fresher for longer.

## SPECIFICATIONS

### Accessories (sold separately)

Joiner kit	819264
------------	--------

### Capacity

Total net volume	363L
Volume freezer	112L
Volume refrigerator	269L

### Consumption

Energy rating	1 tick
Energy usage	471kWh/year

### Features

Adjustable door shelves	4
Adjustable glass shelves	4
Covered door shelves	2

Door alarm	•
Fruit and vegetable bins	2
SmartTouch control panel	•
Stackable bottle holders	2

SKU 25517



**A PEACE OF MIND SALE**

**24 Hours 7 Days a Week Customer Support**

**T +65 6741 0777 W [www.fisherpaykel.com](http://www.fisherpaykel.com)**

The product dimensions and specifications in this page apply to the specific product and model. Under our policy of continuous improvement, these dimensions and specifications may change at any time. You should therefore check with Fisher & Paykel's Customer Care Centre to ensure this page correctly describes the model currently available. ? Fisher & Paykel Appliances Ltd 2020

**Freezer Features**

Bottle chill	•
Door alarm	•
Fast freeze	•
Freezer bins	3

**Performance**

ActiveSmart™ Foodcare	•
Adaptive defrost	•
Frost free freezer	•
Humidity control system	•
Sabbath mode	•

**Power requirements**

Supply voltage	220 - 240V
----------------	------------

**Product dimensions**

Depth	695mm
Height	1715mm
Width	635mm

**Warranty**

Parts and labour	2 years
Sealed system parts only	5 years