

FISHER & PAYKEL

ACTIVESMART™ REFRIGERATOR

CONTEMPORARY

FRENCH DOOR REFRIGERATOR FREEZER

RF522A, RF540A & RF610A

BOTTOM MOUNT REFRIGERATOR FREEZER

E372B, E402B, E442B, E522B, RF372B,
RF402B, RF442B, RF522B & RF522W

INSTALLATION GUIDE

NZ AU BI EU AE HK SG

CONTENTS

Safety and warnings	4
ActiveSmart™ Refrigerators	5
Supplied parts	6
Product dimensions	7
Cabinetry dimensions	10
Unpacking and moving your appliance	13
Before installation	14
Water connection	15
Flushing the water filter	18
Positioning your refrigerator	19
Complete installation	20
Final checklist	21

⚠ WARNING!



Electric Shock Hazard

Failure to follow these may result in death, electric shock, fire or injury to persons.

- Read and follow the safety and warnings outlined in this User guide before operating this appliance.

⚠ WARNING!



Risk of fire/flammable material

- This refrigerator contains flammable refrigerant isobutane (R600a).

READ AND SAVE THIS GUIDE

Use this appliance only for the intended purpose as described in the user guide.

When using this appliance always exercise basic safety precautions including the following:

- The manufacturer's installation instructions for product and cabinetry ventilation must be followed when installing the appliance.
- To avoid hazard due to instability of the appliance, it must be fixed in accordance with installation instructions.
- Keep ventilation openings, in the appliance enclosure or the built-in structure, clear of obstruction.
- Do not use mechanical devices or other means to accelerate the defrosting process, other than those recommended by the manufacturer.
- Do not damage the refrigerant circuit.
- In case of damage to the refrigerant circuit, ventilate the area by opening all windows.
- Do not operate electrical equipment or any other equipment that may produce arcs, sparks or flames in the area. Contact your Fisher & Paykel trained and supported service technician immediately to arrange for the appliance to be repaired.
- It is hazardous for anyone other than a Fisher & Paykel trained and supported service technician to service this appliance.

Electrical

- This appliance must be installed in accordance with the installation instructions before use.
- To allow disconnection of the appliance from the supply after installation, incorporate a switch in the fixed wiring in accordance with the local wiring rules.
- If the power supply cord is damaged, it must only be replaced by your Fisher & Paykel trained and supported service technician.
- When positioning the appliance, ensure the power cord is not trapped or damaged.
- Do not locate multiple portable socket-outlets or portable power supplies at the rear of the appliance.
- **WARNING:** Do not use electrical appliances inside the food storage compartments of the appliance, unless they are of the type recommended by the manufacturer.

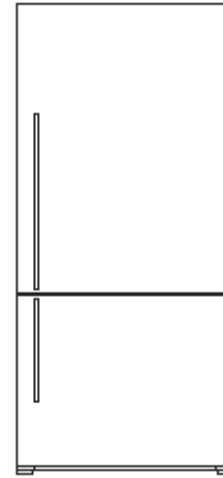
Water filter

- The water connection to your Ice & water refrigerator must be installed by a qualified plumber or Fisher & Paykel trained and supported service technician and comply with all state and local laws.
- Installation and use **MUST** comply with all state and local plumbing codes. Check with your local public works department for plumbing codes. You must follow their guidelines as you install the water filtration system.
- To avoid serious illness or death, only connect your water filter to safe drinking water.
- The water filter cartridge needs to be changed when the replacement indicator icon illuminates. This will happen every 6 months.
- If the water filtration system has been allowed to freeze, replace filter cartridge. Failure to replace the disposable filter at recommended intervals may lead to reduced filter performance and failure of the filter, causing property damage from water leakage or flooding.
- In cases of excessively reduced filter life - we recommend that you consult a local plumber or your water supplier for advice on suitable filtration requirements for the water supplied

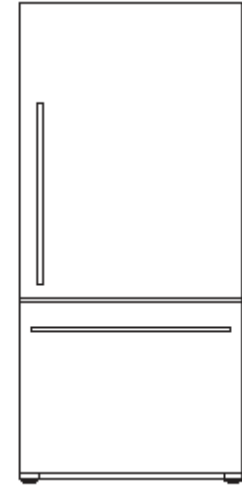
SAFETY AND WARNINGS

- to your home.
- Filter replacement is the consumer's responsibility and will not be covered by the warranty except in the case of faulty parts or materials within the filter cartridge.
 - If the water filtration system has been allowed to freeze, replace filter cartridge. Failure to replace the disposable filter at recommended intervals may lead to reduced filter performance and failure of the filter, causing property damage from water leakage or flooding.
 - Use new tubing supplied with the refrigerator. DO NOT reuse old tubing from old water and ice connections.
 - Your water filtration system can withstand up to 827kPa of water pressure. Ensure the supplied pressure reducing valve is installed before installing the water filtration system. DO NOT install if water pressure exceeds 827kPa.
 - To reduce the risk associated with property damage due to water leakage or flooding:
 - DO NOT install systems in areas where ambient temperatures may go above 100°F or drop below 33°F.
 - DO NOT install on hot water supply lines. The maximum operating water temperature of this filter system is 100°F.
 - DO NOT install where water hammer conditions may occur. If water hammer conditions exist, you must install a water hammer arrester.
 - Clean the water tanks if they have not been used for 48 hours. Flush the water system connected to the water supply if water has not been used for 5 days.
 - To reduce the risk associated with choking: DO NOT allow children under 3 years of age to have access to small parts during the installation of the water filter.

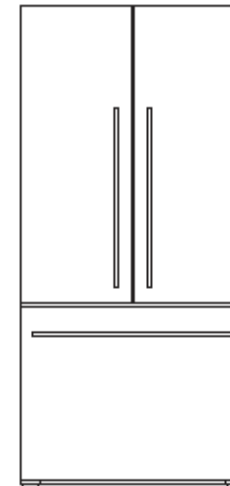
ACTIVESMART™ REFRIGERATORS



E372B, RF372B, E402B,
RF402B, E442B, RF442B,
E522B & RF522B models



RF522W model



RF522A, RF610A/RF540A &
RF610AZ/AN models

SUPPLIED PARTS

MISCELLANEOUS ITEMS PACK



Installation guide (1)



User guide (1)

WATER FILTER KIT



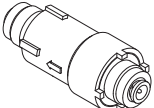
Water tap adaptor (1)



Short tubing (1)



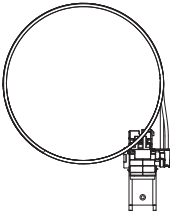
Collet locking clip (1)



Pressure limiting valve (1)



Water filter (1)



Wall mounting bracket + filter head + tubing (1)



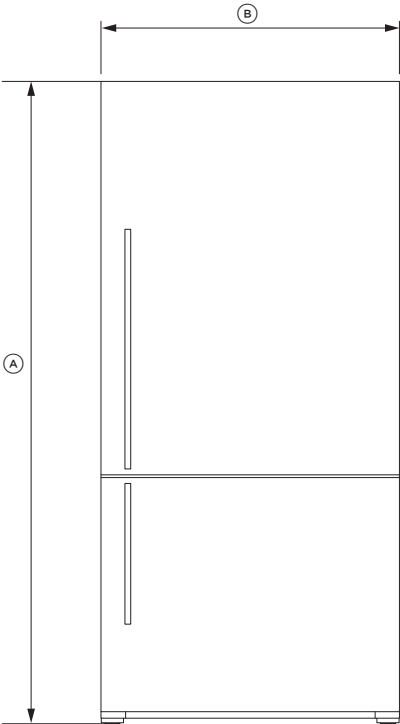
Screws (2)



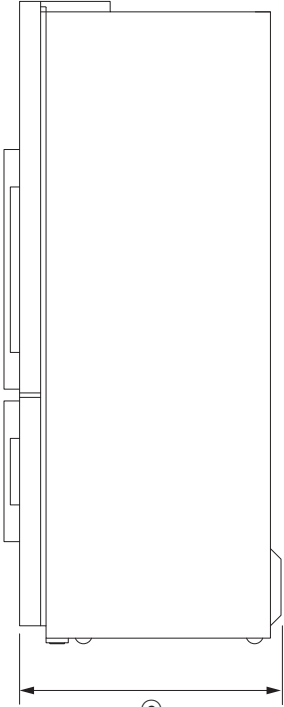
Valve cover (1)

PRODUCT DIMENSIONS

E372B, RF372B, E402B, RF402B, E442B, RF442B, E522B & RF522B models



FRONT



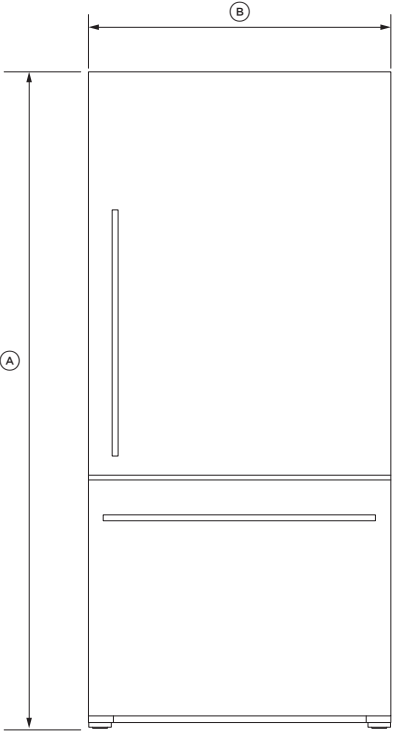
PROFILE

PRODUCT DIMENSIONS	E372B & RF372B	E402B & RF402B,	E442B & RF442B,	E522B & RF522B
	MM	MM	MM	MM
Ⓐ Overall height of product	1620	1720	1720	1720
Ⓑ Overall width of product	635	635	680	790
Ⓒ Overall depth of product (excludes handle & includes rear compartment cover)	695	695	695	695

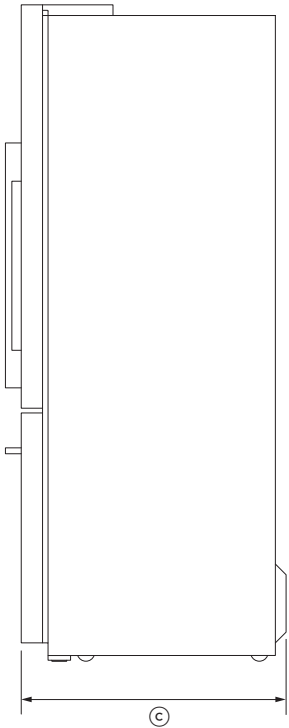
Actual product dimensions may vary by ± 2 mm.

PRODUCT DIMENSIONS

RF522W model



FRONT



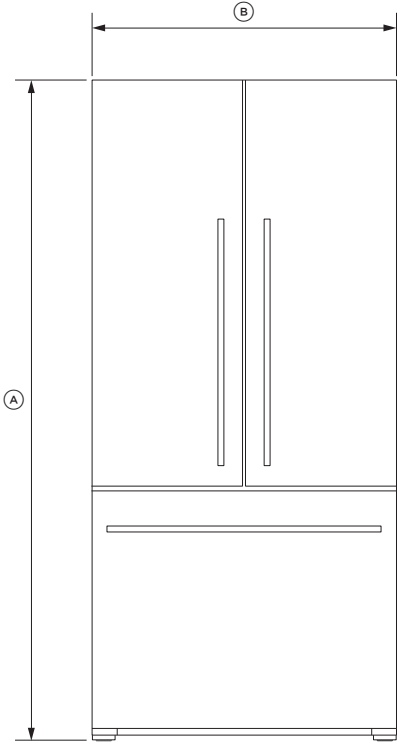
PROFILE

PRODUCT DIMENSIONS	RF522W
	MM
Ⓐ Overall height of product	1720
Ⓑ Overall width of product	790
Ⓒ Overall depth of product (excludes handle & includes rear compartment cover)	695

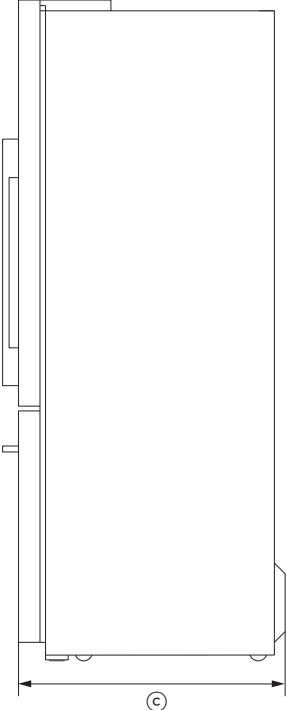
Actual product dimensions may vary by ± 2mm.

PRODUCT DIMENSIONS

RF522A, RF610A/RF540A & RF610AZ/AN models



FRONT



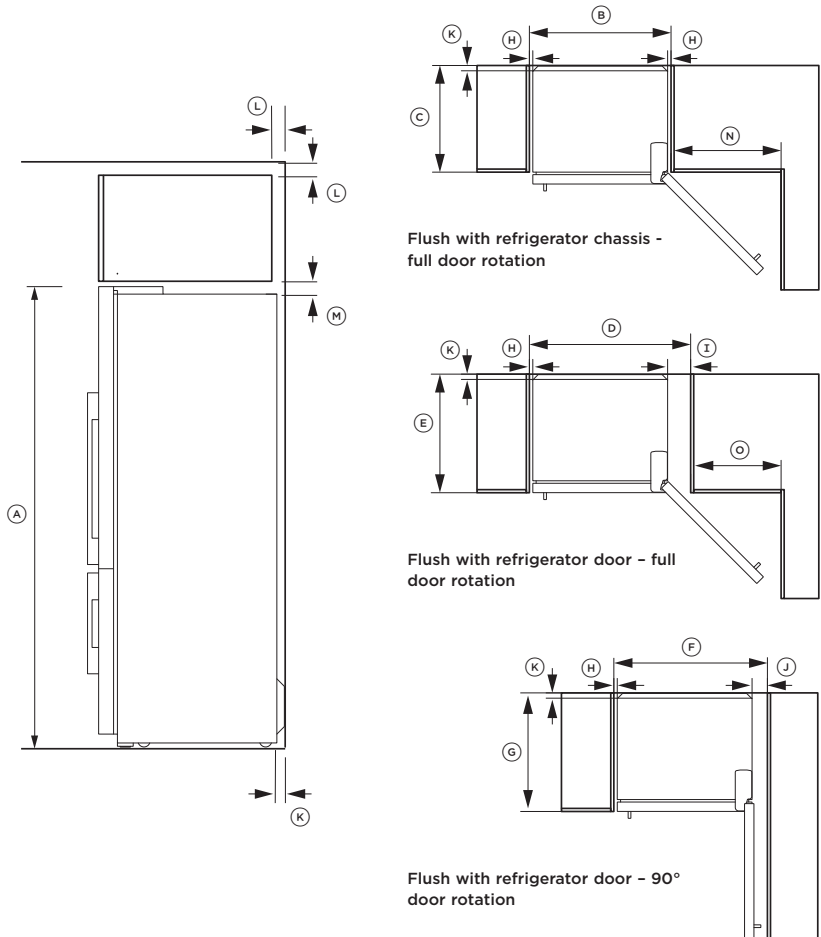
PROFILE

PRODUCT DIMENSIONS	RF522A	RF610A/ RF540A	RF610AZ/AN
	MM	MM	MM
Ⓐ Overall height of product	1720	1790	1790
Ⓑ Overall width of product	790	900	900
Ⓒ Overall depth of product (excludes handle & includes rear compartment cover)	695	695	699

Actual product dimensions may vary by ± 2mm.

CABINETY DIMENSIONS

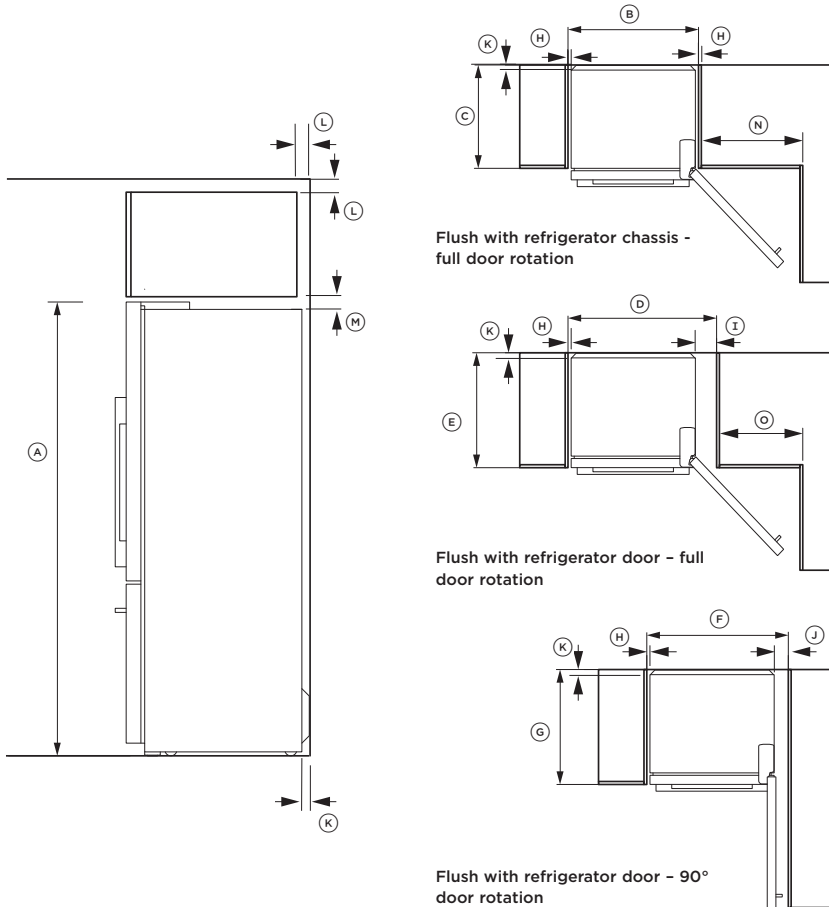
E372B, RF372B, E402B, RF402B, E442B, RF442B, E522B & RF522B models



CABINETY DIMENSIONS (incl. minimum air clearances)	E372B RF372B	E402B RF402B	E442B RF442B	E522B RF522B
	MM	MM	MM	MM
Ⓐ Inside height of cavity	1645	1735	1735	1735
Flush with refrigerator chassis - full door rotation				
Ⓑ Inside width	675	675	720	830
Ⓒ Inside depth	620	620	620	620
Flush with refrigerator door - full door rotation				
Ⓓ Inside width	790	790	835	945
Ⓔ Inside depth flush to flat door	n/a	695	695	695
Flush with refrigerator door - 90° door rotation (for full drawer/shelf access, doors need to be open past 90°)				
Ⓕ Inside width	745	745	790	900
Ⓖ Inside depth flush to flat door	n/a	695	695	695
MINIMUM CLEARANCE DIMENSIONS				
	MM	MM	MM	MM
Ⓗ Side clearance	20	20	20	20
Ⓘ Side clearance - hinge side flush with door - full rotation	135	135	135	135
Ⓝ Side clearance - hinge side flush with door - 90° rotation	90	90	90	90
Ⓚ Rear clearance (including rear compartment cover)	30	30	30	30
Ⓛ Vent (above refrigerator cabinet or around top of cupboard)	50	50	50	50
Ⓜ Top clearance - above refrigerator cabinet	50	50	50	50
Ⓝ Door clearance - hinge side flush with chassis - full rotation	520	520	555	645
Ⓞ Door clearance - hinge side flush with door - full rotation	405	405	440	530

CABINETY DIMENSIONS

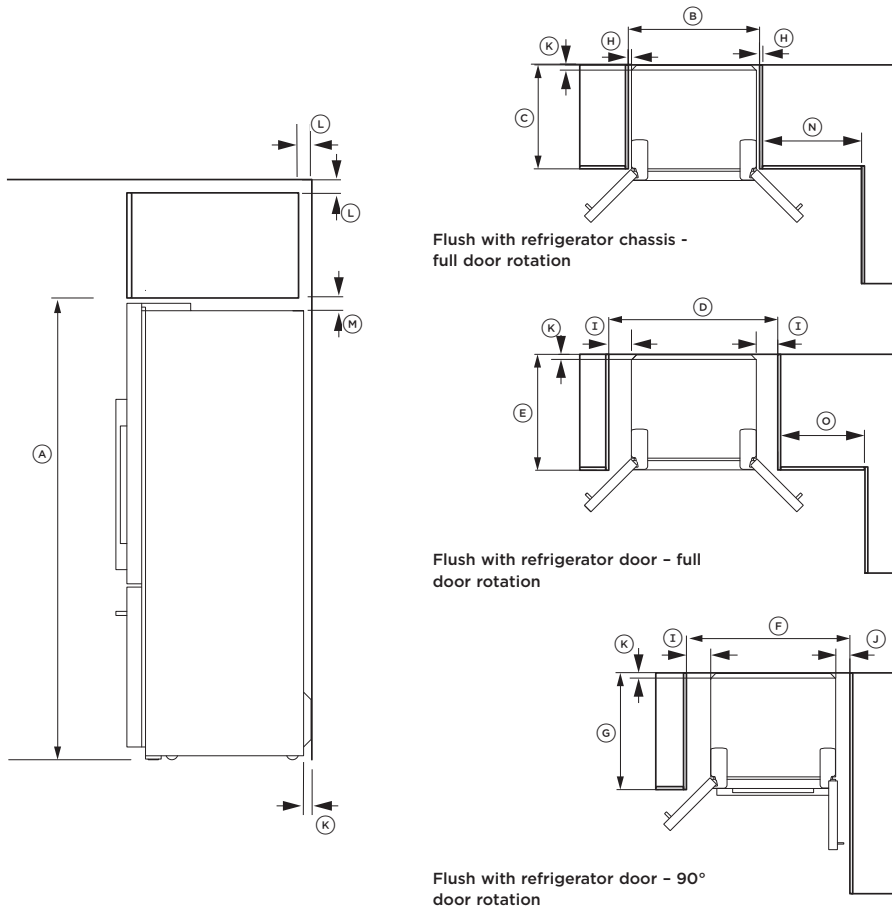
RF522W model



CABINETY DIMENSIONS (incl. minimum air clearances)	RF522W MM
Ⓐ Inside height of cavity	1735
Flush with refrigerator chassis - full door rotation	
Ⓑ Inside width	830
Ⓒ Inside depth	620
Flush with refrigerator door - full door rotation	
Ⓓ Inside width	945
Ⓔ Inside depth flush to flat door	695
Flush with refrigerator door - 90° door rotation (for full drawer/shelf access, doors need to be open past 90°)	
Ⓕ Inside width	900
Ⓖ Inside depth flush to flat door	695
MINIMUM CLEARANCE DIMENSIONS	
RF522W MM	
Ⓗ Side clearance	20
Ⓘ Side clearance - hinge side flush with door - full rotation	135
Ⓝ Side clearance - hinge side flush with door - 90° rotation	90
Ⓚ Rear clearance (including rear compartment cover)	30
Ⓛ Vent (above refrigerator cabinet or around top of cupboard)	50
Ⓜ Top clearance - above refrigerator cabinet	50
Ⓝ Door clearance - hinge side flush with chassis - full rotation	645
Ⓞ Door clearance - hinge side flush with door - full rotation	530

CABINTRY DIMENSIONS

RF522A, RF610A/RF540A & RF610AZ/AN models



CABINTRY DIMENSIONS (incl. minimum air clearances)

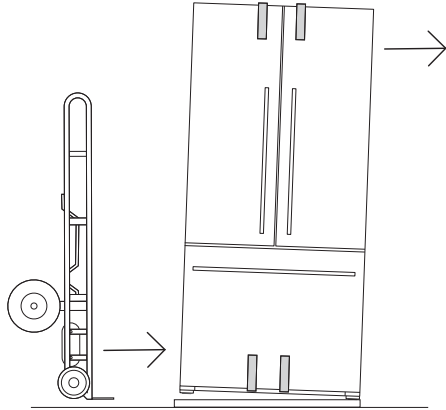
	RF522A	RF610A/ RF540A	RF610AZ/ RF610AN
	MM	MM	MM
(A) Inside height of cavity			
• Flush with refrigerator chassis	1735	1810	1810
• Flush with refrigerator door	1735	1810	1810
• Flush with refrigerator door with handle clearance (AN & AZ models)	N/A	N/A	1835
Flush with refrigerator chassis - full door rotation			
(B) Inside width	830	940	940
(C) Inside depth	620	620	620
Flush with refrigerator door - full door rotation			
(D) Inside width	1060	1170	1170
(E) Inside depth flush to flat door	695	695	700
Flush with refrigerator door - 90° door rotation (for full drawer/shelf access, doors need to be open past 90°)			
(F) Inside width	1015	1125	1150
(G) Inside depth flush to flat door	695	695	700
MINIMUM CLEARANCE DIMENSIONS			
	RF522A	RF610A/ RF540A	RF610AZ/ RF610AN
	MM	MM	MM
(H) Side clearance	20	20	20
(I) Side clearance - hinge side flush with door - full rotation	135	135	135
(J) Side clearance - hinge side flush with door - 90° rotation	90	90	90
(K) Rear clearance (including rear compartment cover)	30	30	30
(L) Vent (above refrigerator cabinet or around top of cupboard)	50	50	50
(M) Top clearance - above refrigerator cabinet	50	50	50
(N) Door clearance - hinge side flush with chassis - full rotation	325	365	365
(O) Door clearance - hinge side flush with door - full rotation	210	250	250

UNPACKING AND MOVING YOUR APPLIANCE

Check that your appliance is the correct model as per your order.

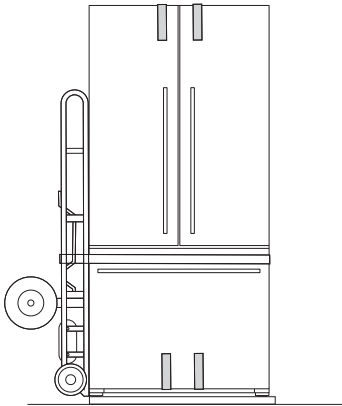
Follow the steps below to move your appliance to the install location. Be careful when tilting the appliance forward/backward. Tape the door shut to prevent opening while moving the appliance.

1



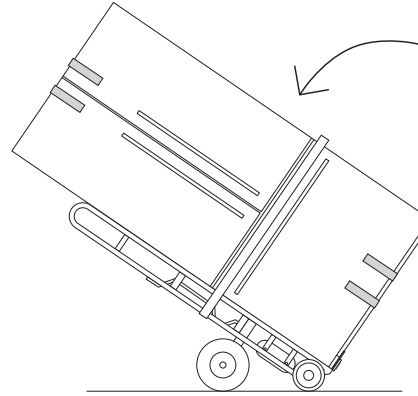
Tilt the appliance slightly forward and insert the hand truck between the pallet and appliance.

2



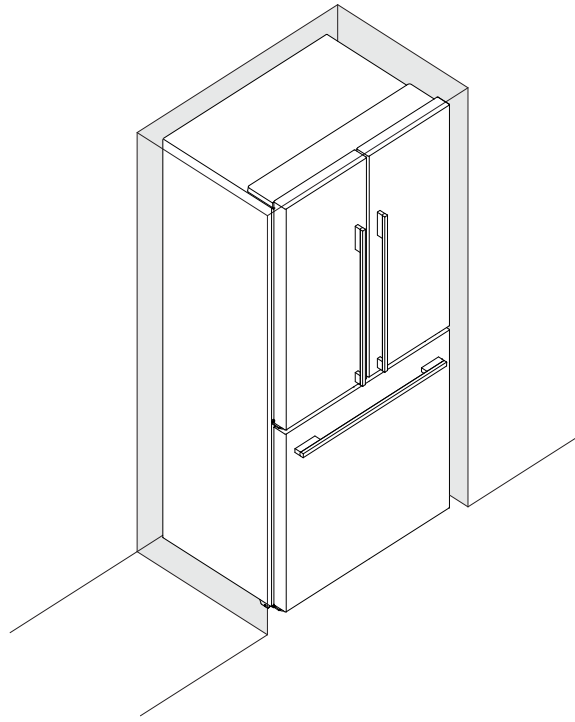
Restrain the appliance with a strap.

3



Tilt backward to load appliance onto hand truck and push to install location.

BEFORE INSTALLATION



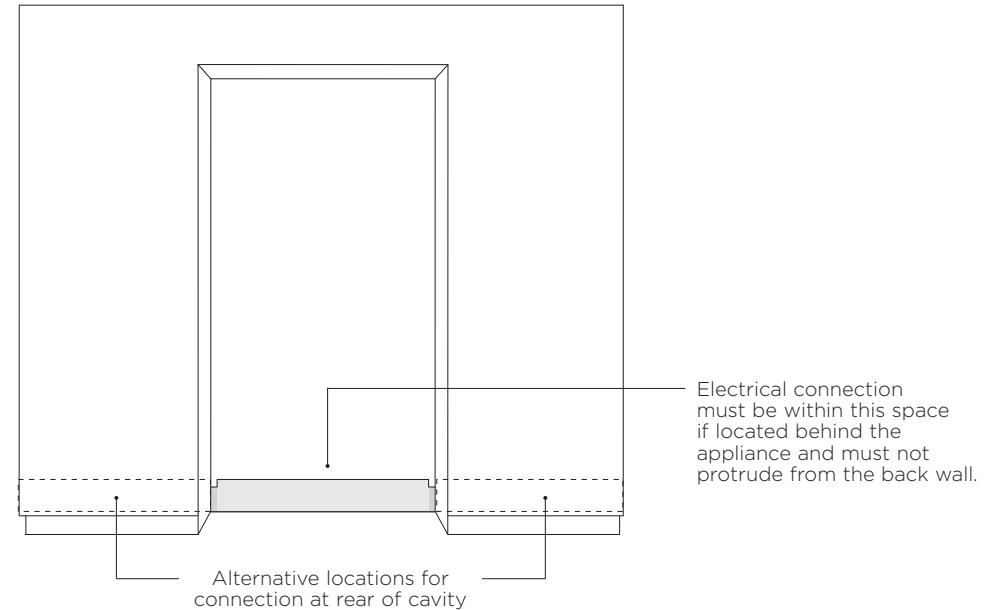
Please follow the installation steps below to ensure your appliance operates correctly.

Power

- Install your appliance where the plug is easily accessible.
- Connect your refrigerator to a separate power point. Avoid sharing the power point with other appliances. Do not use extension cords and double adaptors as the combined weight of two power cords can pull the double adaptor from the power outlet.
- For power requirements, refer to the information on the serial plate located at the front bottom right-hand side of the refrigerator when the door is open.
- Ensure your appliance is properly grounded (earthed).
- Connect the appliance to the electrical supply (230V, 50Hz) with the fitted plug and lead.
- Connections to the mains supply should be in accordance with local regulations.

Ice & Water and Automatic Ice models

- Your Ice & Water and Automatic Ice refrigerator must be installed by a qualified plumber or Fisher & Paykel trained and supported service technician as incorrect plumbing can lead to water leaks.
- Fisher & Paykel Appliances does not accept responsibility for damage (including water damage) caused by faulty installation or plumbing.



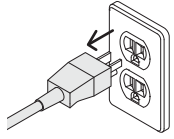
We recommend the use of an isolating switch that is easily accessible to the user after the refrigerator is installed.

ELECTRICAL SPECIFICATIONS

Supply	230 VAC, 50 Hz
Service	10 amp circuit
Socket	3-pin earthing-type
Total length of power cord	1016mm

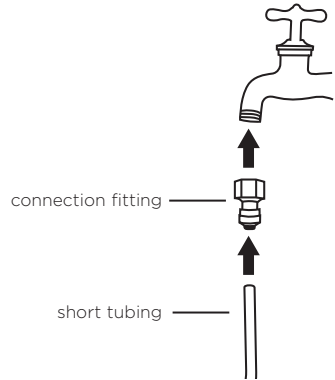
WATER CONNECTION

1



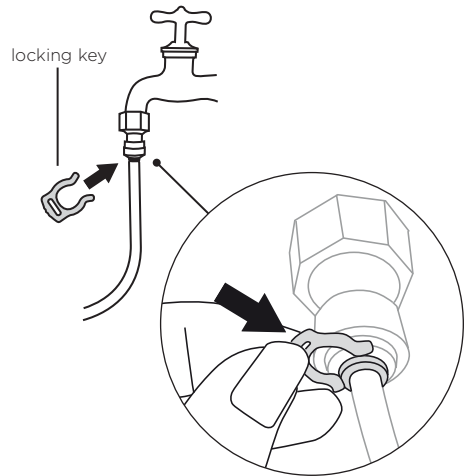
Ensure the refrigerator is NOT plugged into a power supply.

2



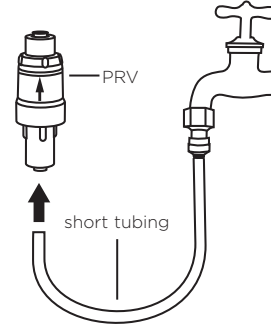
Connect the connection fitting to the faucet.

3



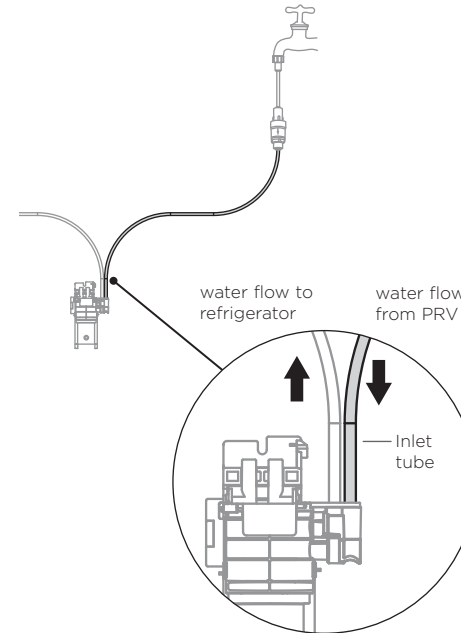
Connect the short tubing to the outlet of the faucet and secure with the locking key.

4



Connect the inlet of the PRV to the tubing connected to the faucet. Ensure the arrow on the PRV is pointing away from the faucet. The arrow indicates the direction of water flow.

5



Connect the inlet tube from the filter head to the PRV. The inlet tube can be identified by the downward arrow ↓ on the filter head and a red mark on the tube.

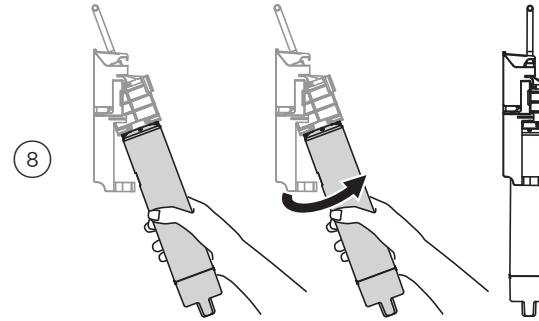
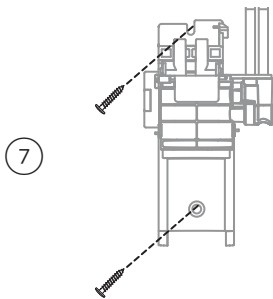
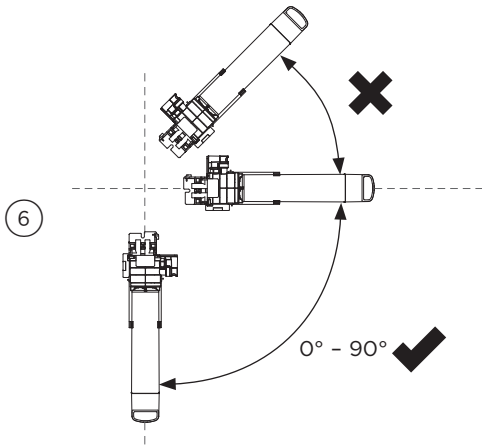
Ensure the outlet tubing is correctly connected to the refrigerator water valve.

WATER CONNECTION

Determine the mounting position for the water filter noting the following:

- The water filter **MUST** not be mounted with the filter head position below the base of the filter (See Diagram 3). We recommend fitting the water filter in a vertical orientation with the filter head at the top. This will minimise water leakage during replacement of the water filter.
- Ensure the water filter is in a convenient location to access every 6 months for replacement. We recommend that this location is beside the water filter supply faucet in a cupboard beside the refrigerator.
- A minimum clearance of 2" (50mm) from the bottom of the water filter is required to perform filter removal.

Attach the wall mounting bracket with the two screws provided, attach the bottom screw first then the top screw.

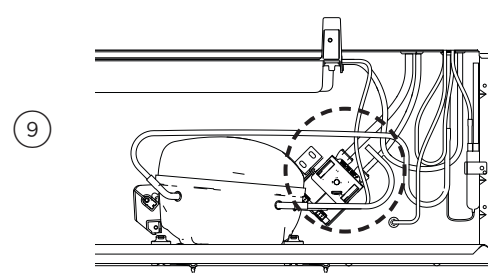


Insert the filter water into the filter head. Push the filter firmly into the filter head and turn in a clockwise direction until it locks into place.

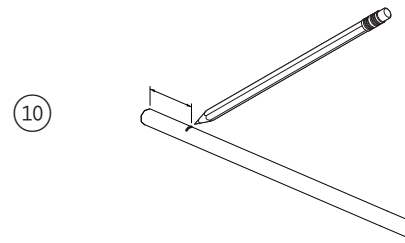
To flush the water filter of any trapped air, harmless carbon fines and check for leaks:

Aim the end of the filter outlet tubing into a bucket, turn on the faucet and run 2 gal (8L) of water through. Once complete, turn the faucet off.

Note: Further flushing is required before first use of your ice or water functions, please refer to 'Before you start using the Ice & Water or Automatic Ice function' for details.

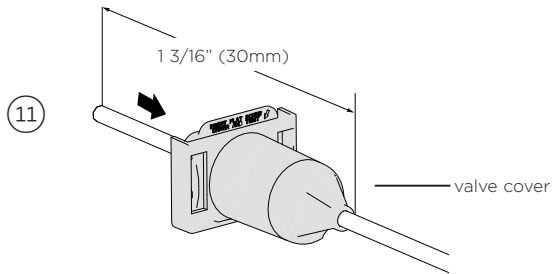


Run the 1/4" (6mm) tubing to the back of the refrigerator ensuring there is enough tubing to pull the refrigerator out for service.

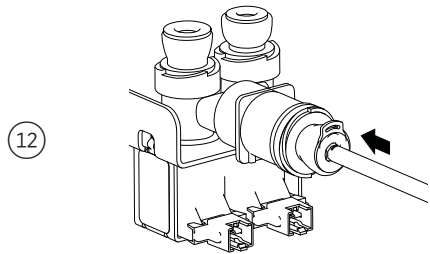


Measure 5/8" (16mm) from one end of outlet tubing and mark a line.

WATER CONNECTION

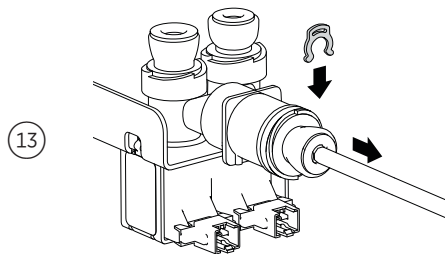


Insert one end of the outlet tubing into the tube bore of the water valve cover and slide back about 1 3/16" (30mm).

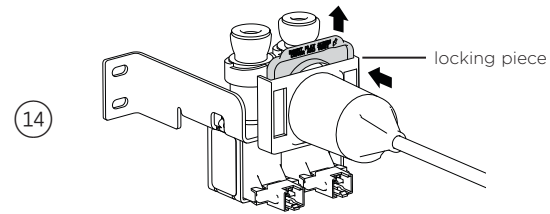


Insert the outlet tubing to water (solenoid) valve up to the marked line.

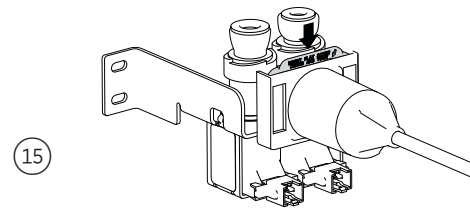
- The outlet tubing can be identified by the upward arrow ↑ on the filter head and a blue mark on the tube.



Insert a locking ring and then pull the outlet tubing gently to ensure it is locked.



Slide the cover all the way through the water valve. Pull up the locking piece and push the cover until it snap-locks into the valve.



Check if the cover is aligned correctly. Press the locking piece down to lock the cover in place.

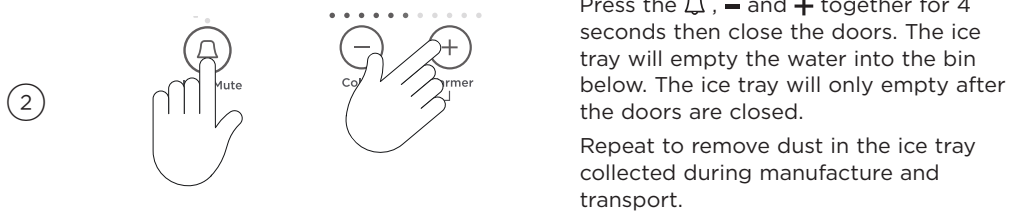
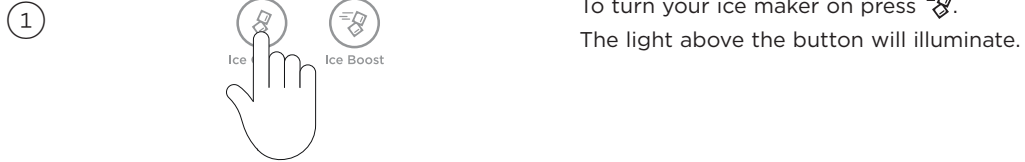
Turn the faucet on and check that all connections are dry and free of drips.

Coil water line tubing behind the refrigerator. Push your refrigerator into place being careful not to kink or squash the water line tube.

Turn refrigerator on.

FLUSHING THE WATER FILTER

Automatic ice function



Once your ice maker is turned on the first bin of ice may be discoloured. This is not harmful and normal during the flushing process. Discard the first full bin of ice made. Your ice maker is now ready for use.

The performance of your water filter will increase with use, reaching optimum performance after two to three full bins of ice.

Carry out the above steps after a holiday/vacation or extended periods of not using ice.

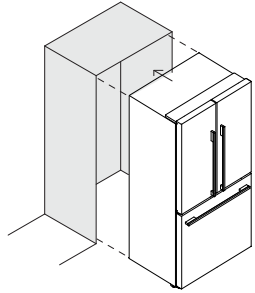
POSITIONING YOUR REFRIGERATOR

Your Fisher & Paykel ActiveSmart™ refrigerator is fitted with front and rear rollers to allow you to easily move your refrigerator forward and backward.

Avoid moving your refrigerator sideways to prevent damaging the rollers or the floor covering surface.

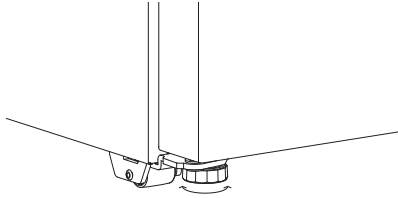
Your refrigerator will arrive with the front feet wound up to assist with moving the product into its final location.

①



Roll the refrigerator into its final position ensuring there is the correct air gap between the product and surrounding cabinetry. See minimum clearance in cabinetry dimensions table.

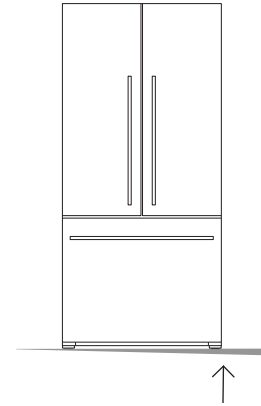
②



Adjust the front feet down until the refrigerator is leaning backward with the front approximately 3/8" 10mm higher than the back. This will ensure a good door closing action.

What to do if your product is unstable

①

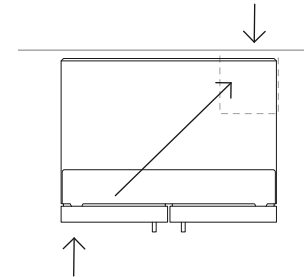


Gently push the refrigerator back until the rear rollers contact the floor.

Measure the gap under the front foot, which has come off the floor.

Obtain some solid packing material (hardwood, plastic, etc) which fits firmly into the gap under the foot.

②

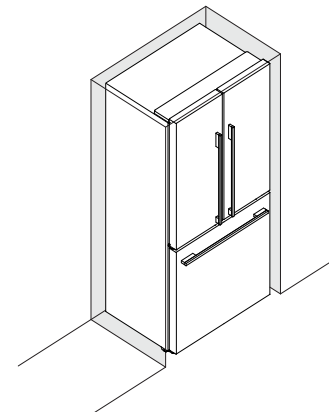


Wind both front feet up and roll the product out of position.

Place the packing material in the location diagonally opposite the front roller that lifts off the floor.

Ensure the packing material stays in place when the product is pushed back into position.

③



Roll the refrigerator back into position and adjust front feet. Check alignment and door closing action are satisfactory. Make small adjustments to the front feet where necessary.

Before placing food in the fresh food or freezer compartments

- Remove all internal packaging. Ensure that all transit clips are removed from the refrigerator. These are small rubber stoppers located at the back of the shelves.
- Clean the inside of the appliance with a mix of warm water and a small amount of liquid detergent. Use a soft cloth to remove dust collected during manufacture and transport.
- Allow the refrigerator and freezer to run empty for 2-3 hours to allow each compartment to cool to the appropriate temperature.
- The appliance may have an odor on its initial operation, this will go when the refrigerator and freezer have cooled sufficiently.

Energy efficiency

For the most energy efficient use of your appliance:

- Ensure your refrigerator has adequate ventilation.
- Do not cover your appliance with any material that will prevent air from flowing around the cabinet sides.
- Ensure you vacuum around the appliance to remove dust and accumulated debris.
Keep the appliance and its cabinetry free of dust by wiping down with a dry, lint-free cloth (refer to section 'Cleaning and caring for your refrigerator').
- Allow good clearances in front of air ducts within the cabinet for maximum cold air distribution.
- Cool down hot foods before placing them in the appliance.
- Do not overfill the compartments.
- Keep door openings to a minimum.
- Select a temperature setting that isn't too cold.
- Check your door seals for leaks.

FINAL CHECKLIST

TO BE COMPLETED BY THE INSTALLER

- Check all parts are installed.
- Ensure the appliance is level.
- Ensure all internal and external packaging is removed from the appliance before use.
- Ensure the water filter is installed and the has been flushed.

Complete and keep for safe reference:

Model _____

Serial No. _____

Purchase Date _____

Purchaser _____

Dealer Address _____

Installer's Name _____

Installer's Signature _____

Installation Company _____

Installation Date _____

FISHERPAYKEL.COM

© Fisher & Paykel Appliances 2025. All rights reserved.

The models shown in this guide may not be available in all markets
and are subject to change at any time.

The product specifications in this guide apply to the specific products and
models described at the date of issue. Under our policy of continuous product
improvement, these specifications may change at any time.

For current details about model and specification availability in your country,
please go to our website or contact your local Fisher & Paykel dealer.

867220E 03.25