

FISHER & PAYKEL

PRELIMINARY SPECIFICATION GUIDE

OVEN, 60CM



OVERVIEW

Designed to fit seamlessly into any kitchen with Contemporary styling, these ovens feature a generous 85L total capacity. Achieve perfect results with Aerotech™ technology which circulates heat evenly throughout the cavity, ideal for multi-shelf cooking. Beautiful to use, the intuitive interface and dial offer simple guided cooking, while Pyrolytic self-cleaning breaks down grime and grease, to keep the oven pristine for the next use.

MODELS

Oven, 60cm, 16 Function OB60SD16PLX1

Oven, 60cm, 13 Function OB60SD13PLX1

Oven, 60cm, 11 Function OB60SD11PLX1

Oven, 60cm, 9 Function OB60SD9PLX1

85L, Self-cleaning, Stainless steel, Dial

SERIES & STYLE

Series 7

Contemporary

ACCESSORIES

- 1 Baking tray
- 2 Roasting dish*
- 3 Grill rack*
- 4 Step down wire rack

FEATURES

- 1 Contemporary style, designed to fit flush with cabinetry
- 2 Generous 85L total capacity with six shelf positions
- 3 Intuitive 2.4" screen with illuminated dial
- 4 Up to 16 ovens functions
- 5 Pyrolytic self-cleaning function breaks down food residue for an easy clean
- 6 Guided cooking, with the option to access additional functionality via the SmartHQ™ app*
- 7 Wired Temperature Sensor**
- 8 Optimised moisture levels thanks to AeroTech™ technology
- 9 Wi-Fi/Connected capability*

*Selected markets and models

**Compatible with 16 and 13 function models only

- 5 Full extension sliding shelves*
- 6 Self-cleaning side runners*
- 7 Telescopic Runners*
- 8 Flat wire shelf*

*Selected markets and models

FISHER & PAYKEL

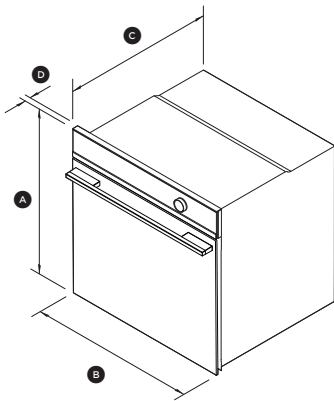
PRELIMINARY SPECIFICATION GUIDE

OVEN, 60CM

SPECIFICATIONS

Model No.	OB60SD16PLX1, OB60SD13PLX1 OB60SD11PLX1, OB60SD9PLX1
Dimensions	H 598mm W 596mm D 565mm
Total capacity	85L
Weight	32kg (unpackaged) 44kg (packaged)
Electrical	
Supply	220-240VAC, 50Hz
Service	15A circuit

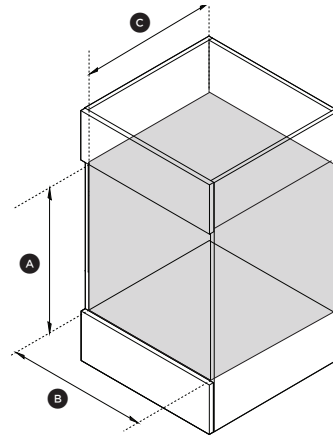
PRODUCT DIMENSIONS



ISO VIEW

	mm
(A) Overall height	598
(B) Overall width	596
(C) Depth of chassis	545
(D) Depth from front frame (excludes dial and handle)	20
Depth of oven door when fully open (measured from front of control panel)	460

CAVITY DIMENSIONS



ISO VIEW

	mm
(A) Minimum inside height	580
(B) Minimum inside width	560
(C) Minimum inside depth	550