

# 60cm Series 7 Contemporary Compact Combi-Steam Oven

Series 7 | Contemporary

Stainless Steel



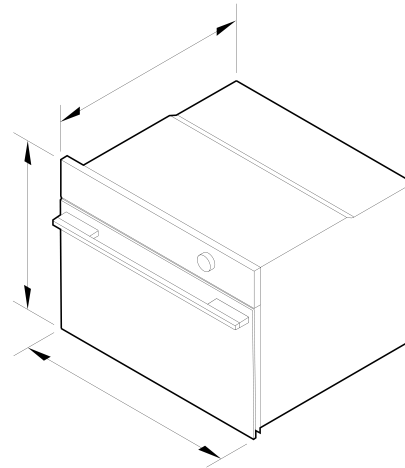
Designed to be the cornerstone of any kitchen solution, our Combination Steam Oven is engineered for the home chef. In compact size, this oven can be placed almost anywhere.

- 18 oven functions including Steam, Sous Vide, Air Fry and Vent Bake
- With steam cooking, convection cooking, or a combination of both

- Pair with our Vacuum Seal Drawer companion product for effortless Sous Vide preparation

## DIMENSIONS

Height	458 mm
Width	596 mm
Depth	565 mm



## FEATURES & BENEFITS

### Combination Cooking

Give every ingredient the respect it deserves with combination steam cooking. Using a fusion of dry convection heat with variable amounts of steam, you can easily retain the delicate texture of ingredients like salmon and snapper, the vitamins and minerals of greens, or the depth of flavour of a perfect cut of meat.

### Mastery Of Temperature

Elevate your meals with the precise temperature and humidity control of steam cooking. Steam cooking has a gentler heat transfer into the food, so you get nutritious and delicious results that are moist and tender on the inside, crisp and flaky on the outside, all with minimal effort.

### Preserve Flavour And Nutrients

Cooking with steam creates dishes that are full of flavour, while preserving all the vitamins, minerals and textures of delicate ingredients, like fish and seafood. With five steam-only cooking functions, including Sous vide, Steam and Steam Proof, you can use steam to create healthier dishes that get the best out of each component on the plate.

### Multi-Function Flexibility

A truly multiple function oven where both steam-only and convection-only cooking mediums can stand on their own merits. You have the freedom to choose - whether it's dry heat or moist heat, or a combination of the two - each delivering different cooking results. Purchase our Wireless Temperature Sensor accessory and precisely monitor cooking in real time (accessory sold separately).

### Design Freedom

This Contemporary style oven has a stylish black finish with stainless steel contrasts, designed to help you achieve a kitchen aesthetic that suits your design style. Pair with a Vacuum Seal Drawer for the ultimate kitchen solution.

### Sized To Suit

This compact 60cm Steam Oven can be placed almost anywhere. All Companion products can be installed at a convenient height to suit your kitchen design and preference.

## SPECIFICATIONS

### Accessories (included)

Chromed shelf runners	•
Descaler solution	<b>2 sachets, Part 580925</b>
Flat brushed baking tray	<b>1</b>
Grill rack	<b>1 set</b>
Large steam dish	<b>1</b>
Perforated large steam dish	<b>1</b>
Roasting dish	<b>1</b>
Step down wire shelf	<b>1</b>
Telescopic sliding runners	<b>1 set</b>
Wire shelf	<b>1</b>

**Capacity**

Shelf positions	<b>4</b>
Total capacity	<b>55 L</b>
Usable capacity	<b>45 L</b>
Water tank capacity	<b>1.5 L</b>

**Cleaning**

Acid resistant graphite enamel	•
Descaler cycle	•
Drying cycle	•
Removable oven door	•
Removable oven door inner glass	•
Removable shelf runners	•
Removable water tank	•
Steam clean (oven)	•

**Controls**

Adjustable audio and display settings	•
Audio feedback	•
Automatic cooking/minute timer	•
Automatic pre-set temperatures	•
Certified Sabbath mode	•
Delay start	•
Electronic clock	•
Electronic oven control	•
Guided cooking by food types	•
Halogen lights	•
Multi-language display	•

**UK English, US English, Simplified Chinese, Français, Español**

Smart appliance	•
Soft close doors	•
True convection oven	•
Turned stainless steel dials with illuminated halos	•
Wireless temperature sensor compatible	•

**Functions**

Air fry	•
Bake	•
Fan bake	•
Fan forced	•
Fan forced + High steam	•
Fan forced + Low steam	•
Fan forced + Medium steam	•
Fan grill	•
Grill	•

Number of functions	<b>18</b>
Pizza bake	•
Roast	•
Slow cook	•
Sous vide	•
Steam	•
Steam clean (oven)	•
Steam defrost	•
Steam proof	•
Vent bake	•

**Performance**

ActiveVent™ system	•
AeroTech™ technology	•
Automatic rapid pre-heat	•
Grill power	<b>3000 W</b>
SteamTechnology	•
Temperature range	<b>35°C - 230°C</b>
Whisper quiet cooking	•

**Power requirements**

Amperage	<b>15 A</b>
Supply frequency	<b>50 Hz</b>
Supply voltage	<b>220-240VAC V</b>

**Product dimensions**

Depth	<b>565 mm</b>
Height	<b>458 mm</b>

Width **596 mm**

---

- [↓ Sketchup](#)
- [↓ User Guide](#)

### Safety

- Balanced oven door •
  - Control panel key lock •
  - CoolTouch door •
  - Non-tip shelves •
  - Safety thermostat •
- 

### Where applicable:

All appliances use energy, and energy usage typically generates carbon emissions. **Fisher & Paykel Appliances' In-use Energy Carbon Emissions Estimate** indicates carbon emissions from a product's in-use energy. This is calculated either annually or per cycle, using the product's market-specific energy label energy consumption data multiplied by the carbon emissions factor for energy in your country or region.

Our In-use Energy Carbon Emissions Estimate is designed to assist customers in making informed purchasing decisions when comparing different Fisher & Paykel products. For example, a heat pump dryer typically has a lower In-use Energy Carbon Emissions Estimate than a vented dryer.

### Warranty

Parts and labour **2 years**

---



### A PEACE OF MIND SALE

24 Hours 7 Days a Week Customer Support

T 0800 372 273 W [www.fisherpaykel.com](http://www.fisherpaykel.com)

SKU **82636**

---

The product dimensions and specifications in this page apply to the specific product and model. Under our policy of continuous improvement, these dimensions and specifications may change at any time. You should therefore check with Fisher & Paykel's Customer Care Centre to ensure this page correctly describes the model currently available. © Fisher & Paykel Appliances Ltd 2020

### Other product downloads available at [fisherpaykel.com](http://fisherpaykel.com)

- [↓ 2D-DWG Wall Oven](#)
- [↓ 2D-DXF Wall Oven](#)
- [↓ Service & Warranty](#)
- [↓ Installation Guide Combination Steam Oven](#)
- [↓ Revit](#)
- [↓ Rhino](#)