

# Integrated Single DishDrawer™ Dishwasher, Tall, Sanitize

Series 9 | Integrated

Panel Ready

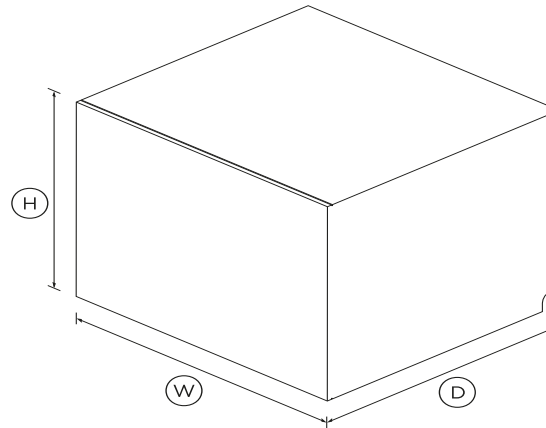


Designed to fit your full-sized dinner plates, this DishDrawer™ can be placed anywhere in your kitchen, integrating seamlessly.

- Knock to pause function is perfect if you miss a dish
- Six wash programs, as well as additional Quick wash, Sanitize and Extra Dry options
- Customize with your own kitchen cabinetry or purchase our stainless steel door panel accessory
- American Disabilities Act (ADA) compliant, this can be installed at an accessible height for loading and unloading

## DIMENSIONS

Height	17 7/8"
Width	23 9/16"
Depth	21 3/4"



## FEATURES & BENEFITS

### SEAMLESS INTEGRATION

Slide your DishDrawer™ Dishwasher into an existing kitchen space or integrate into kitchen cabinetry, for a seamless look whilst delivering superior dish care.

### Ease of use

DishDrawer™ Dishwashers are as easy to open and close as kitchen drawers and can be conveniently positioned at bench height for ease of loading and minimal bending. Flexible racking allows you to make adjustments to fit in a variety of dishes.

### Quick, Sanitize and Extra Dry options

The Quick wash modifier delivers a faster wash while maintaining performance. The Sanitize option provides extra protection killing 99.9% of bacteria in the final rinse. The Extra Dry setting is perfect for plastic dishes.

### Knock to pause

Instead of needing a remote control, these DishDrawer™ Dishwashers have a knock to pause function. A knock on the front panel will pause the dishwasher which can be re-started again by using the start/play button.

### Quiet performer

Running at a very low decibel rate, these DishDrawer™ Dishwashers do their job without making a fuss. The combination of intelligent technology and simple mechanics means greater reliability and excellent wash performance.

## SPECIFICATIONS

### Accessories

- Cutlery basket
- Knife clip and multipurpose

### Accessories (sold separately)

Door panel stainless steel	ADDD24STPX
Handle kit Classic	AHCL-DDDW-24X
Handle kit Contemporary	AHS-OBDD-60S
Handle kit Contemporary	AHD5-OBDD-60SX
Handle kit Contemporary	AHD5-OBDD-60SB
Handle kit Contemporary	AHD3-OBDD-60S
Handle kit Professional round	AHP3-DWDD-SX
Handle kit Professional round	AHP3DDDW24BA
Handle kit Professional round	AHP3DDDW24DC

**Capacity and loading**

Accommodates round plates	<b>12.25"</b>
Adjustable height, foldable	•
Fold down tines	•
Pitch adjustable tines	•
Place settings	<b>7</b>

**Consumption**

Energy rating	<b>Energy star</b>
Energy usage	<b>144kWh/year</b>
In-use energy carbon	<b>52.8kgCO2e/year</b>
Water usage (per wash cycle)	<b>1.64 gal</b>

**Controls**

- Electronic fault/Diagnostic
- End of cycle beeps
- Energy saving delay start
- Internal wash selector
- Keylock
- Knock to pause
- Rinse aid indicator light
- Wi-Fi connectivity

**Features**

- Fan assisted drying
- Flood protection
- Flow through detergent
- Quiet operation
- SmartDrive™ technology

**Performance**

Noise emissions	<b>43dBA</b>
-----------------	--------------

**Power requirements**

Amperage	<b>5A</b>
Electric circuit	<b>3 wire</b>
Rated current	<b>15A</b>
Supply frequency	<b>60Hz</b>
Supply voltage	<b>100 - 120V</b>

**Product dimensions**

Depth	<b>21 3/4"</b>
Height	<b>17 7/8"</b>
Width	<b>23 9/16"</b>

**Safety and compliance**

- ADA compliant

**Warranty**

Parts and labor	<b>Limited 2 years</b>
-----------------	------------------------

**Wash Program Modifiers**

- Extra Dry
- Quick
- Sanitize
- Wash modifiers **3**

**Wash Programs**

- Delicate

- Eco
- Fast
- Heavy
- Medium
- Rinse
- Wash programs **6**

**Water connection**

Inlet water temperature	<b>Max 140°F</b>
Supplied hose to suit 3/8"	•
Water pressure	<b>30kPa - 1000 kPa</b>
Water supply	<b>3/8" to suit Male Compression</b>

SKU	82341
-----	-------

The product dimensions and specifications in this page apply to the specific product and model. Under our policy of continuous improvement, these dimensions and specifications may change at any time. You should therefore check with Fisher & Paykel's Customer Care Centre to ensure this page correctly describes the model currently available. Fisher & Paykel Appliances Ltd 2020

**Where applicable:**

All appliances use energy, and energy usage typically generates carbon emissions. **Fisher & Paykel Appliances' In-use Energy Carbon Emissions Estimate** indicates carbon emissions from a product's in-use energy. This is calculated either annually or per cycle, using the product's market-specific energy label energy consumption data multiplied by the carbon emissions factor for energy in your country or region.

Our In-use Energy Carbon Emissions Estimate is designed to assist customers in making informed purchasing decisions when comparing different Fisher & Paykel products. For example, a heat pump dryer typically has a lower In-use Energy Carbon Emissions Estimate than a vented dryer.

---

Other product downloads available at [fisherpaykel.com](https://fisherpaykel.com)



Quick Start Guide



Service & Warranty



Energy Label Single DishDrawer™ Dishwasher



User Guide DishDrawer™ Dishwasher EN



Installation Guide Single Dish Drawer EN



Installation Guide DishDrawer™ Dishwasher Venting Kit EN



Data Sheet Integrated Single DishDrawer™ Dishwasher



Planning Guide Professional Style Dial/Handle Accessories



Planning Guide Integrated Single DishDrawer™



**A PEACE OF MIND SALE**

24 Hours 7 Days a Week Customer Support

T 1.888.936.7872 W [www.fisherpaykel.com](https://www.fisherpaykel.com)