

# FISHER & PAYKEL

## SPECIFICATION GUIDE

## DUAL FUEL RANGE, 30"



### OVERVIEW

Complement a kitchen design with the Dual Fuel Range, 30". This range offers an intuitive, high-resolution touch display, four-burner gas rangetop, an electronic oven with generous capacity and comprehensive cooking functions to deliver perfect results.

### MODELS

**Dual Fuel Range, 30", 4 Burners**  
RDV3-304-N

**Dual Fuel Range, 30", 4 Burners, LPG**  
RDV3-304-L

### SERIES & STYLE

Series 9  
Professional

### FEATURES

- 1 Stainless steel
- 2 High-resolution, user-friendly touch display
- 3 Metal illuminated dials
- 4 Electronic oven control
- 5 Perfect results from 15 oven functions
- 6 Guided cooking by food type and recipes
- 7 4 cu ft-capacity oven cavity
- 8 Self-cleaning oven with pyrolytic ladders
- 9 Sealed Dual Flow Burners™
- 10 Dishwasher-proof, cast-iron trivets

### ACCESSORIES

- 1 Food probe
- 2 Broil pan
- 3 Broil rack
- 4 Full-extension telescopic racks

# FISHER & PAYKEL

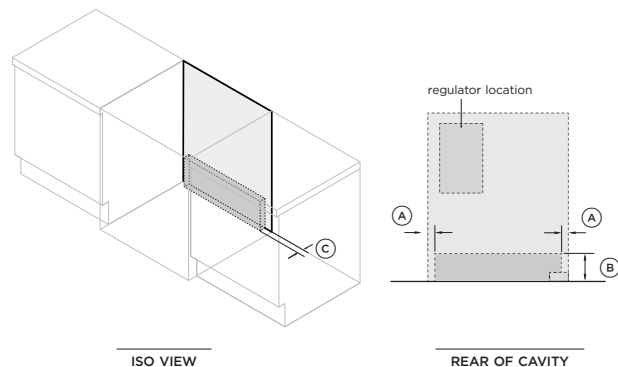
## SPECIFICATION GUIDE

## DUAL FUEL RANGE, 30"

### SPECIFICATIONS

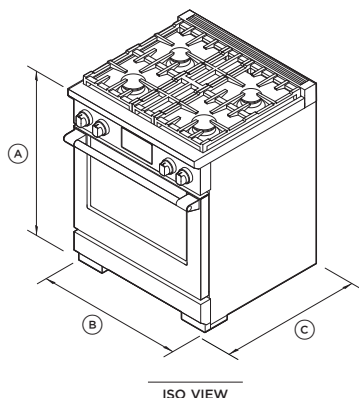
<b>Model No.</b>	RDV3-304-N, RDV3-304-L
<b>Dimensions</b>	H 35 3/4 - 36 3/4" (908-933mm) x W 29 7/8" (759mm) x D 29 1/8" (740mm)
<b>Product weight</b>	410lb (185Kg)
<b>Total oven capacity</b>	4.0 cu ft (113L)
<b>Door Clearance</b>	19 1/8" (486mm)
<b>Electrical</b>	
<b>Supply</b>	120/240VAC, 60Hz
<b>Service</b>	30-amp circuit
<b>Receptacle</b>	4-prong grounding type (NEMA 14-50 plug)
<b>Max. current draw</b>	27A
<b>Gas</b>	
<b>Types</b>	Natural Gas 6" to 9" W.C.P. LP Propane 11" to 14" W.C.
<b>Connection</b>	1/2" NPT Minimum 5/8" dia. flex line

### SUPPLY AREA DIMENSIONS



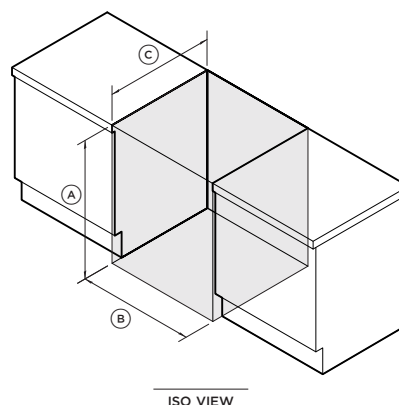
	in	mm
(A) Distance from either edge of range to supply area	1 1/2	38
(B) Height of gas and electrical supply areas (from floor)	6	152
(C) Depth of supply areas (ie maximum protrusion of gas connection from wall)	2	51

### PRODUCT DIMENSIONS



	in	mm
(A) Overall height (from floor to cooktop, excl. pan supports and vent trim)	min 35 3/4 max 36 3/4	min 908 max 933
(B) Overall width	29 7/8	759
(C) Depth from front of range to rear (incl. vent trim, excl. dials and handle)	29 1/8	740

### CAVITY DIMENSIONS: STANDARD INSTALLATION



	in	mm
(A) Overall height of cavity* • for level counter • with range levelling legs fully extended	35 3/4 36 3/4	908 933
(B) Overall width of cavity	30	762
(C) Maximum depth of cavity • projecting control panel • flush control panel	25 3/8 27 11/16	644 703

\*Depending on height of range.