

Integrated Double DishDrawer™ Dishwasher, Tall, Sanitise

Series 11 | Integrated

Panel Ready



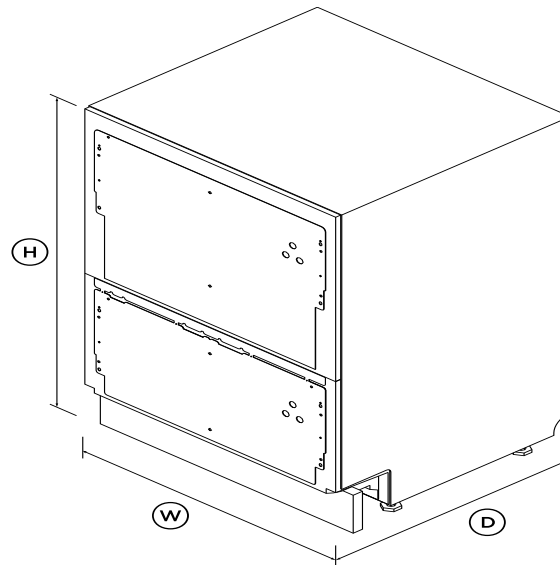
Integrates seamlessly into kitchen cabinetry. Each drawer features a premium stainless steel interior and operates independently, for flexible washing.

- Eight wash cycles from Heavy to Light, including Auto, 60min and Glassware
- Fits plates up to 310mm, with flexible racking to accommodate other large cookware
- With soft-close drawers, and knock to pause convenience

- Wi-Fi capability and a SmartHQ™ app for remote control and notifications

DIMENSIONS

| | |
|--------|-------------|
| Height | 865 - 925mm |
| Width | 599mm |
| Depth | 553mm |



FEATURES & BENEFITS

Seamless integration

Install your DishDrawer™ Dishwasher into an existing kitchen space or integrate into kitchen cabinetry. The touch-sensitive control panel is located inside this Integrated model, leaving an uninterrupted exterior that blends seamlessly with surrounding cabinetry.

Ease of use

DishDrawer™ Dishwashers are beautiful to use with soft-close drawers. The tall top drawer fits your larger plates and dishes up to 310mm, while the bottom drawer is ideal for small washes. Flexible racking includes height-adjustable cup racks and wine glass supports.

True half load

Both drawers fit a true half load. Each drawer operates independently, so you can wash one load while stacking the other drawer, or wash simultaneously on separate cycles.

Flexible wash options

Eight wash programs including Auto, 60min and Glassware, while modifiers such as Sanitise, Extra Dry and Quiet provide added wash flexibility. The Quiet wash modifier reduces the noise on some cycles while maintaining performance - perfect for late night washing.

Design quality

Every detail has been carefully crafted using quality materials, from the easy-to-clean stainless steel interior to the spray arm sensor that detects jams for increased wash confidence.

Knock to pause

For ease-of-use, these DishDrawer™ Dishwashers have a knock to pause function. A knock on the front panel will pause the dishwasher, which can be restarted by using the start button.

Efficient performance

Our DishDrawer™ Dishwashers use the energy they need without compromising on wash performance.

SPECIFICATIONS

Accessories

- Cutlery basket
- Kickstrip
- Knife clip and multipurpose

Accessories (sold separately)

| | |
|----------------------------------|-----------------------|
| Door panel black stainless steel | ADDD60DTPB |
| Door panel stainless steel | ADDD60DTPX |
| Handle kit Classic | AHCL-DDD-60X |
| Handle kit Contemporary | AHS-OBDD-60S |
| Handle kit Contemporary | AHD5-OBDD-60SX |
| Handle kit Contemporary | AHD5-OBDD-60SB |
| Handle kit Contemporary | AHD3-OBDD-60S |
| Handle kit Contemporary | AHD3-OBDD-60B |

Capacity and loading

| | |
|-----------------------------|--------------|
| Accommodates round plates | 310mm |
| Adjustable height, foldable | • |
| Fold down tines | • |
| Pitch adjustable tines | • |
| Place settings | 12 |
| Wine glass supports with | • |

Consumption

| | |
|------------------------------|------------------------------------|
| Energy rating | D |
| Energy usage | 49kWh/100 cycles per drawer |
| In-use energy carbon | 9.7kgCO2e/100 cycles per |
| Water usage (per wash cycle) | 6.4L per drawer |

Controls

| | |
|-----------------------------|---|
| Electronic fault/Diagnostic | • |
| End of cycle beeps | • |
| Energy saving delay start | • |
| Internal wash selector | • |

| | |
|----------------------------|---|
| Intuitive capacitive touch | • |
| Keylock | • |
| Knock to pause | • |
| Rinse aid indicator light | • |
| Spray arm sensing | • |
| Wi-Fi connectivity | • |

Features

| | | |
|-------------------------|---|------------------------|
| Built-in water softener | • | |
| Fan assisted drying | • | |
| Flood protection | • | |
| Flow through detergent | • | |
| Internal tub material | | Stainless steel |
| Quiet operation | • | |
| SmartDrive™ technology | • | |
| Soft close drawer | • | |

Performance

| | |
|-----------------------------|--------------|
| Noise on standard cycle top | 45dBA |
| Quiet mark certified | • |

Power requirements

| | |
|------------------|-------------------|
| Amperage | 10A |
| Supply frequency | 50Hz |
| Supply voltage | 220 - 240V |

Product dimensions

| | |
|--------|--------------------|
| Depth | 553mm |
| Height | 865 - 925mm |
| Width | 599mm |

Warranty

| | |
|------------------|----------------|
| Parts and labour | 5 years |
|------------------|----------------|

Wash Program Modifiers

| | |
|----------------|----------|
| Dry + | • |
| Quiet | • |
| Sanitise | • |
| Wash modifiers | 3 |

Wash Programs

| | |
|---------------|----------|
| 60 min | • |
| Auto | • |
| Eco | • |
| Glassware | • |
| Heavy | • |
| Light | • |
| Medium | • |
| Rinse | • |
| Wash programs | 8 |

Water connection

| | |
|----------------|----------------------------------|
| Water pressure | 100kPa - 1000kPa |
| Water supply | 3/4" BSP (20mm) Connector |

| | |
|-----|-------|
| SKU | 82172 |
|-----|-------|

The product dimensions and specifications in this page apply to the specific product and model. Under our policy of continuous improvement, these dimensions and

specifications may change at any time. You should therefore check with Fisher & Paykel's Customer Care Centre to ensure this page correctly describes the model currently available. ? Fisher & Paykel Appliances Ltd 2020

Other product downloads available at fisherpaykel.com

- [↓](#) Service & Warranty
- [↓](#) User Guide DishDrawer™ Dishwasher
- [↓](#) Declaration of Conformity Integrated DishDrawer™ Dishwasher with WiFi Capability
- [↓](#) Standards and Wash Program Data Sheet EN
- [↓](#) User Guide DishDrawer™ Dishwasher
- [↓](#) Installation Guide Double DishDrawer™ Dishwasher
- [↓](#) Installation Guide Double DishDrawer™ Dishwasher
- [↓](#) Planning Guide Integrated Double DishDrawer™ Dishwasher
- [↓](#) Specification Guide Integrated Double DishDrawer™ Dishwasher



A PEACE OF MIND SALE

24 Hours 7 Days a Week Customer Support

T 08000 886 605 W www.fisherpaykel.com