

Freestanding Range Cooker, Dual Fuel, 90cm, 5 Burners

Series 7 | Contemporary

Stainless Steel

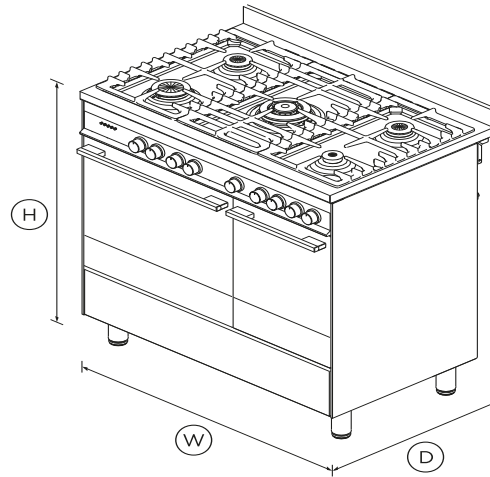


A striking addition to your kitchen, with five powerful gas burners and the cooking flexibility of two convection ovens.

- Five burner gas cooktop with wok burner
- Two independent convection ovens, one 70L total capacity and one 40L total capacity
- Seven oven functions in each oven

DIMENSIONS

Height	870 - 925mm
Width	900mm
Depth	600mm



FEATURES & BENEFITS

Cooking flexibility

This freestanding dual fuel range cooker has seven functions with pre-set temperatures, including Bake, Grill and Fan Forced, allowing you to use a variety of cooking styles.

Sized to suit

Designed for multi-shelf cooking, this freestanding dual fuel cooker provides 70L of total capacity in one cavity and 40L of total capacity in the other, giving you enough room for a large family roast and all the trimmings.

Burner power & control

The consistent flame and heat distribution of the gas burners combined with highly responsive dials offer precise heat control. Perfect a slow simmer for sauces or an intense heat for searing steaks.

Easy cleaning

Catalytic liners break down oil and fat splashes during cooking so you don't have to spend hours cleaning. The stainless steel component is easily accessible and just needs a quick wipe clean after use.

Safe and sound

The door and cavity cooling system keeps the heat on the inside, protecting your hands and surrounding cabinetry. Getting large dishes in and out of the oven is a breeze with non-tip shelves.

Complementary design

With their black reflective glass and stainless steel finish, our freestanding range cookers are designed to match the rest of Fisher & Paykel's kitchen appliance family.

SPECIFICATIONS

Accessories

Enamel baking tray	2
Fat filter	•
Flat wire shelf	1
Grill rack	•

Capacity

Shelf positions	8
Total capacity second oven	40L

Cleaning

Acid resistant graphite enamel	•
--------------------------------	---

- Removable oven door •
- Removable shelf runners •

Controls

- Automatic cooking/minute •
- Electronic clock •
- Satin chrome control dials •

Oven features

- Electronic ignition •
- Storage drawer •

Oven functions

- Bake •
- Defrost •
- Fan bake •
- Fan forced •
- Fan grill •
- Grill •
- Number of functions **7**
- Warm •

Power requirements

Amperage **19.6A**

Product dimensions

Depth **600mm**
 Height **870 - 925mm**
 Width **900mm**

Hob Features

- Cast iron trivets •
- LPG/Natural gas compatible •

Hob Performance

Number of burner elements **5**
 Number of burners **5 including 2 semi-rapid**
 Rapid burner **3W**

Safety

- Advanced cooling system •
- Anti-tilt bracket •
- CoolTouch door •
- Flame failure system •
- Non-tip shelves •

Warranty

Parts and labour **5 years**

SKU **81563**

TEST The product dimensions and specifications in this page apply to the specific product and model. Under our policy of continuous improvement, these dimensions and specifications may change at any time. You should therefore check with Fisher & Paykel's Customer Care Centre to ensure this page correctly describes the model currently available. ? Fisher & Paykel Appliances Ltd 2020

Other product downloads available at fisherpaykel.com

- [↓](#) User Guide
- [↓](#) User Guide
- [↓](#) Installation Guide



A PEACE OF MIND SALE

24 Hours 7 Days a Week Customer Support

T 08000 886 605 Wwww.fisherpaykel.com