

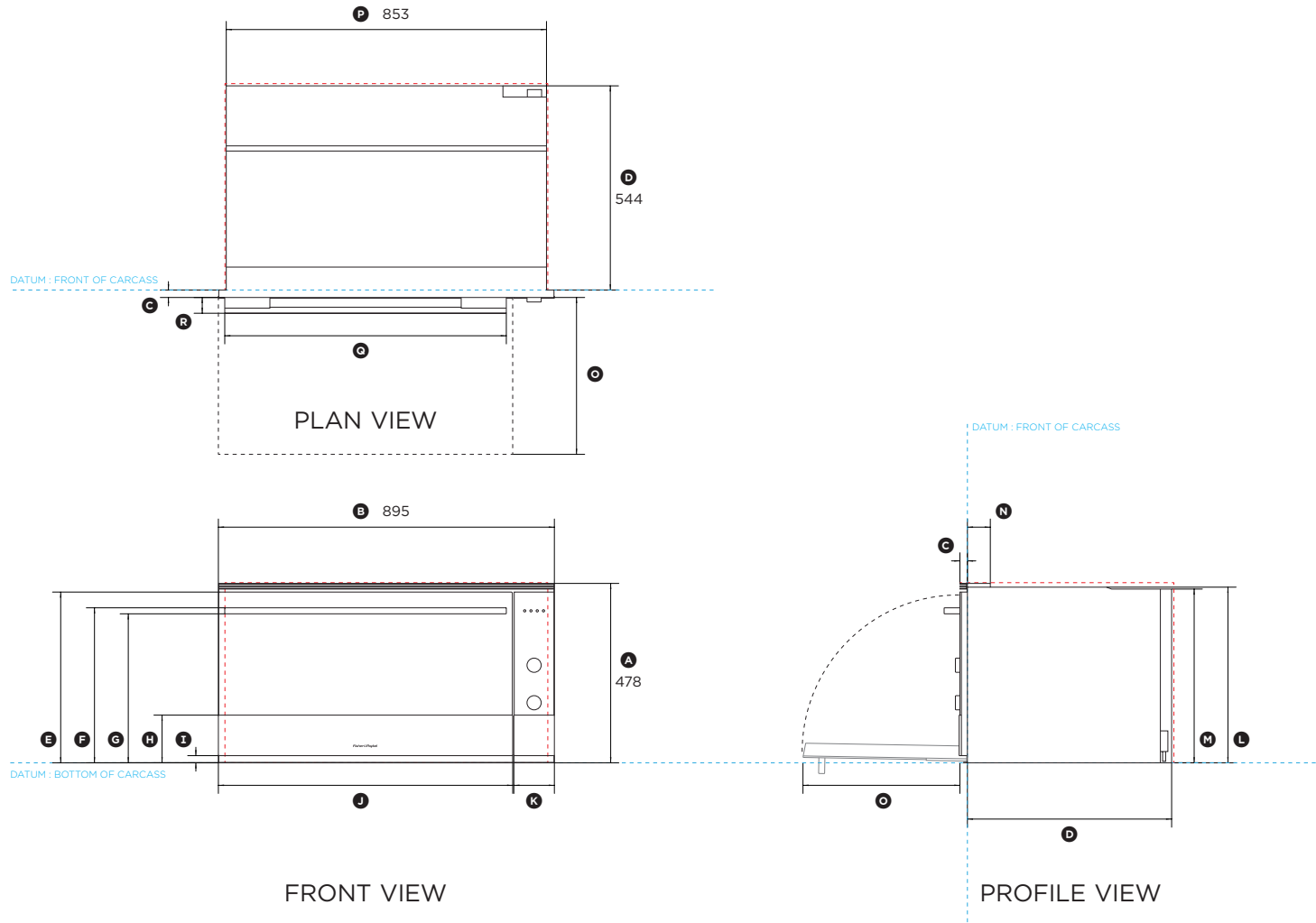
DATA SHEET

900MM SINGLE BUILT-IN OVEN

Model no:

OB90S9MEX3

OB90S9MEPX3



Product Dimensions	mm
Ⓐ Overall height* of oven	478
Ⓑ Overall width of oven	895
Ⓒ Depth of oven front and control panel** (excludes handle and dials)	20
Ⓓ Depth of oven chassis (does not include oven front)	544
Ⓔ Height from bottom datum to top of door	455
Ⓕ Height from bottom datum to top of handle	413
Ⓖ Height from bottom datum to bottom of handle	397
Ⓙ Height from bottom datum to top of stainless cap	127
Ⓚ Height from bottom datum to top of vent	19
Ⓛ Width of door (includes stainless steel cap)	784
Ⓜ Width of control panel (includes stainless steel cap)	108
Ⓝ Height of chassis	468
Ⓞ Height of chassis at the rear	463
Ⓟ Depth of top chassis step from front datum	61
Ⓠ Depth of door (open) (measured from front of door)	418
Ⓡ Overall width of chassis	853
Ⓢ Width of handle	750
Ⓣ Depth of handle (measured from front of door)	42

* All height measurements included mounted feet

** Measured to front glass surface and excludes 2mm stainless cap

Minimum Clearances	mm
Height of cavity from bottom datum	480
Minimum inside width of cavity	860
Minimum inside depth of cavity from front datum	550

INDICATES CABINETRY CARCASS DATUM -----
 INDICATES MINIMUM CABINETRY CLEARANCES - - - - -

DATE: 20.10.2015

IMPORTANT NOTE: Throughout this guide, dimensions may vary by ±2mm (3/32"). Please read the installation manual for detailed information on installing the product. www.fisherpaykel.com

