

# FISHER & PAYKEL

## PRELIMINARY SPECIFICATION GUIDE

## WALL COOKER HOOD



### OVERVIEW

Designed to complete the Contemporary kitchen, these wall box chimney cooker hoods are made from quality stainless steel and sleek black glass. With four fan speeds, plus a boost function, powerful extraction quickly removes odours and steam. Enjoy seamless operation with Wi-Fi enabled remote control.

### MODELS

Wall Cooker Hood, 60cm, Box Chimney  
HC60BCXB4

Wall Cooker Hood, 90cm, Box Chimney  
HC90BCXB4

### SERIES & STYLE

Series 7  
Contemporary Style

### FEATURES

- ① Sleek black glass finish with stainless steel frame
- ② Wi-Fi enabled for remote control and notifications through the SmartHQ™ app
- ③ Edge-to-edge extraction
- ④ Bicolour LEDs 3K and 4K
- ⑤ Intuitive touch controls
- ⑥ Four fan speeds plus boost
- ⑦ Auto off timer function
- ⑧ Dishwasher-safe anti-drop aluminium filters
- ⑨ 150mm diameter duct
- ⑩ Recirculation options available

### ACCESSORIES

- ④ Chimney Extension
- ⑤ Recirculating Diverter
- ⑥ Recirculation Carbon Filter
- ⑦ Aluminium Filter

# FISHER & PAYKEL

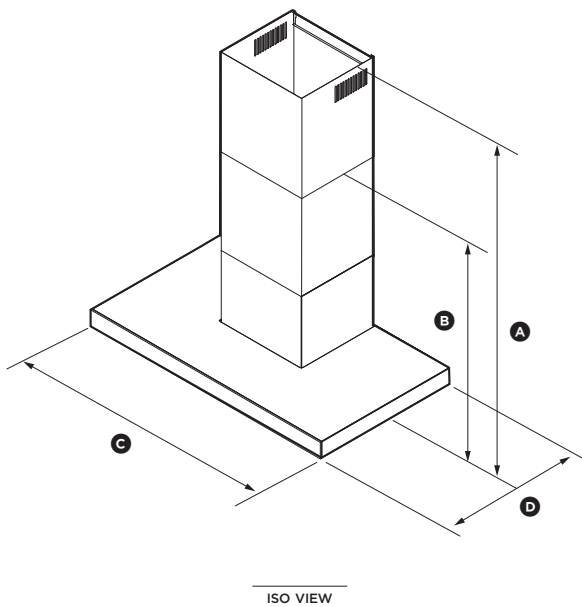
## PRELIMINARY SPECIFICATION GUIDE

## WALL COOKER HOOD, 60CM

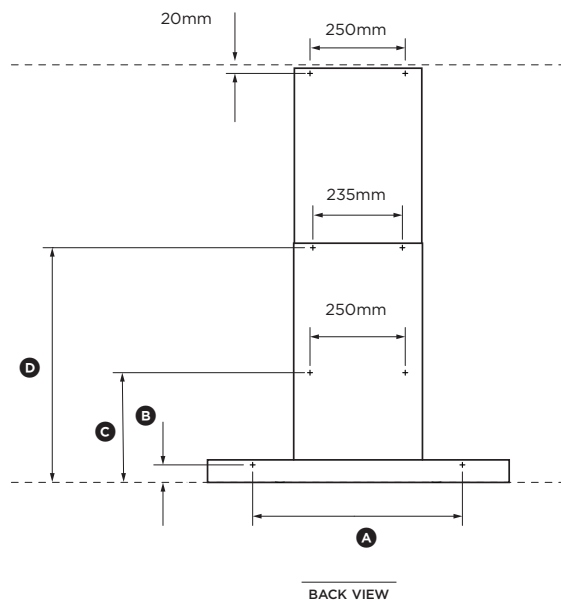
### SPECIFICATIONS

<b>Model No.</b>	HC60BCXB4 (Airflow 770m <sup>3</sup> /hr)
<b>Dimensions</b>	H 635 - 1035mm x W 598mm x D 500mm
<b>Minimum distance above cooktops</b>	Consult the cooktop installation guide for details of the required installation height of the cooker hood
<b>Electrical</b>	
Supply	230 V, 50 Hz
Outlet	3 pin plug
<b>Light source</b>	
Type	9-Watt bi-colour LED lightstrip

### PRODUCT DIMENSIONS



### ATTACHMENT DIMENSIONS



		mm
(A)	Maximum overall height of cooker hood	1035
(B)	Minimum overall height of cooker hood	635
(C)	Overall width of cooker hood	598
(D)	Overall depth of cooker hood	500
	Diameter of ducting outlet	150

		mm
(A)	Lower cooker hood attachment point width	420
(B)	Lower cooker hood attachment point height	36
(C)	Upper cooker hood attachment point height	286
(D)	Chimney bracket attachment point height	559

# FISHER & PAYKEL

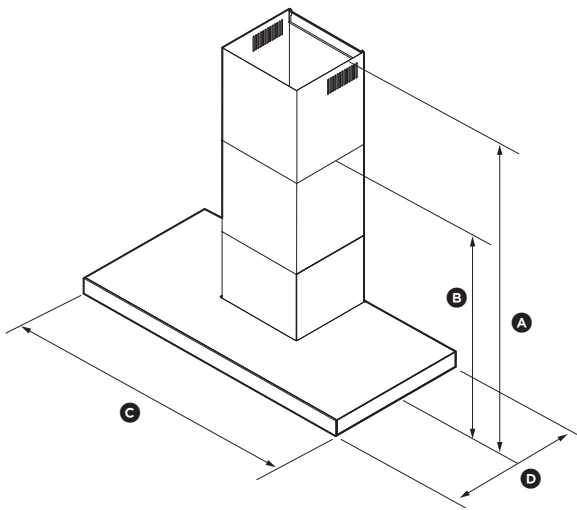
## PRELIMINARY SPECIFICATION GUIDE

## WALL COOKER HOOD, 90CM

### SPECIFICATIONS

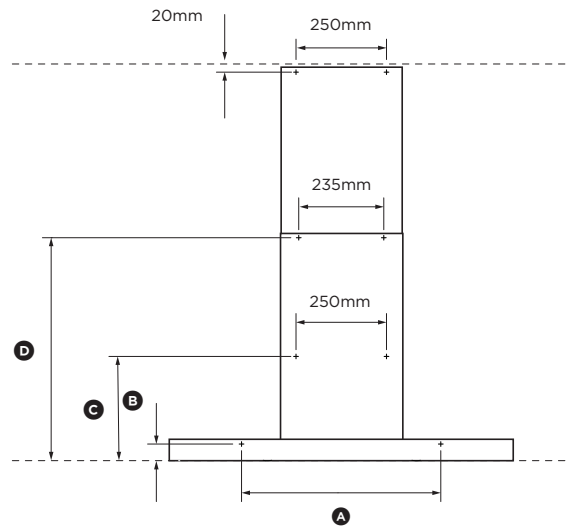
<b>Model No.</b>	HC90BCXB4 (Airflow 770m <sup>3</sup> /hr)
<b>Dimensions</b>	H 635 - 1035mm x W 898mm x D 500mm
<b>Minimum distance above cooktops</b>	Consult the cooktop installation guide for details of the required installation height of the cooker hood
<b>Electrical</b>	
Supply	230 V, 50 Hz
Outlet	3 pin plug
<b>Light source</b>	
Type	9-Watt bi-colour LED lightstrip

### PRODUCT DIMENSIONS



ISO VIEW

### ATTACHMENT DIMENSIONS



BACK VIEW

		mm
(A)	Maximum overall height of cooker hood	1035
(B)	Minimum overall height of cooker hood	635
(C)	Overall width of cooker hood	898
(D)	Overall depth of cooker hood	500
	Diameter of ducting outlet	150

		mm
(A)	Lower cooker hood attachment point width	580
(B)	Lower cooker hood attachment point height	36
(C)	Upper cooker hood attachment point height	286
(D)	Chimney bracket attachment point height	559