

# 11kg Series 9 Front Loader Washer, ActiveIntelligence, Steam Care

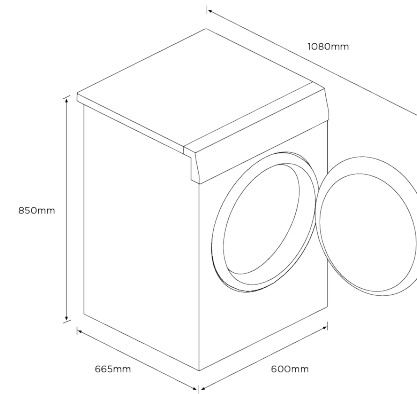


This Steam Care front loader has 25 fabric care cycles, with a 4.5 star water and energy rating.

- Refresh, revive and dewrinkle garments using the 20 minute Steam Refresh cycle
- ActiveIntelligence™ removes the guesswork by tailoring detergent dose and adjusting wash times to suit each load
- Save time, minimise noise and reduce water usage with Optimise Wash options
- Select from 25 fabric care cycles using intuitive LCD display

## DIMENSIONS

Height	850 mm
Width	600 mm
Depth	675 mm



Refer to install guide for further specifications

## FEATURES & BENEFITS

### The Pinnacle Of Fabric Care

Easy to use, the LCD display provides a simple interface to select from 25 fabric care cycles; including Denim, Handwash and Wool, to deliver an optimal wash performance.

### Refresh, Revive, Respect

Bring lightly worn clothes, musty stored garments and even soft furnishings back to life with Steam Refresh. The 20 minute cycle removes odours so clothes can be worn again without the need for a full wash cycle, while steam reduces creases to save you precious time spent ironing.

### Health And Hygiene

Our Hygiene cycles including Allergy and Sanitise provide extra protection for your clothes. The higher wash temperature and an extra rinse cycle is designed to kill more than 99.9% of bacteria and reduce allergens.

### ActiveIntelligence™ Auto-Sensing

Every wash is unique with ActiveIntelligence™ technology. Intelligent sensors determine load size and soil level before dispensing just the right amount of detergent and adjusting the wash time, for over 1200 possible wash combinations. Available on Cotton, Heavy, Everyday, Delicate and Sports cycles.

### Less Waste With Auto Dose

Prolong the life of your garments with Auto Dose mode. Auto Dose dispenses the exact amount of liquid detergent required based on load size - resulting in less waste, less hassle and less detergent residue, with the added convenience of not needing to fill the dispenser for every wash.

### Customise Your Wash

Shorten your total wash time with our Speed option, or choose Eco to wash more sustainably. The Quiet mode reduces cycle noise, perfect for late night washing without waking the house.

### Time Saving

When time is short you can select a quick 15 minute wash for freshening up new or lightly soiled garments. In fact, Vortex Wash allows most cycles to take less than one hour to complete. Water is forced from the bottom of the drum, so detergent and heat reach your clothes faster, cleaning quickly and avoiding over-washing.

## SPECIFICATIONS

### Capacity

Capacity **11 kg**

**Connected Features**

Cyber security updates until **04 / 03 / 2028**

**Consumption**

Energy rating **4.5 star**

Estimated Yearly Energy Usage (kWh) **330kWh/year**

In-use energy carbon emissions estimate **201.4kgCO2e/year**

Water consumption per cycle **94L**

Water rating **4.5 star (WELS)**

**Features**

- Add a garment (immediate door opening) •
- Adjustable alert beeps •
- Anti-fungal door gasket •
- Auto out of balance correction •
- Automatic water level •
- Child/Keylock •
- Delay start •
- Detergent dispenser **Auto Dose**
- Extra Rinse •
- Fabric softener dispenser **Auto Dose**
- Flood protection •
- Hot and cold water inlets •
- Interior light •
- Intuitive LCD screen •
- Optimize Wash **Speed, Eco, Quiet**

- Pre Wash •
- Progress indicator •
- Quiet mode •
- Rinse + •
- Smart appliance •
- SmartTouch™ control dial •
- Speed mode •
- Spin speeds **5**
- Stainless steel drum •
- Time to go •
- Wash + •
- Water supply **Hot & Cold**
- Water temperature controls **5**
- Wi-Fi capable •
- Woolmark certified •
- Wrinkle Free •

**Performance**

- ActiveIntelligence™ technology •
- Auto load sensing •
- Auto soil sensing •
- Auto-dose •
- Maximum spin speed **1400 rpm**
- Number of spin speeds **5**
- Smart Diagnosis of problems •
- SmartDrive™ technology •
- Spin performance **No Spin, 500, 800, 1100, 1400**
- Steam Care •
- Vortex wash •

**Product dimensions**

Depth **675 mm**  
 Height **850 mm**  
 Width **600 mm**

**Wash Cycles**

- Activewear •
- Allergy •
- Bulky •
- Cottons •
- Delicate •
- Denim •
- Drum Clean •
- Easy Iron •
- Everyday •
- Handwash •
- Heavy •
- Number of wash cycles **25**
- Quick 15 •
- Quick 30 •
- Rinse •
- Sanitise •
- Sheets •
- Silk •
- sneakers •
- Soft toys •
- Spin •
- Sports •
- Steam Refresh •
- Synthetics •

Towels •  
Wool •

---



**A PEACE OF MIND SALE**  
24 Hours 7 Days a Week Customer Support  
T 1300 650 590 W [www.fisherpaykel.com](http://www.fisherpaykel.com)

SKU 93328

---

The product dimensions and specifications in this page apply to the specific product and model. Under our policy of continuous improvement, these dimensions and specifications may change at any time. You should therefore check with Fisher & Paykel's Customer Care Centre to ensure this page correctly describes the model currently available. © Fisher & Paykel Appliances Ltd 2020

#### Other product downloads available at [fisherpaykel.com](http://fisherpaykel.com)

- [↓](#) Energy Label
- [↓](#) Installation Guide (English)
- [↓](#) User Guide (English)

#### Where applicable:

All appliances use energy, and energy usage typically generates carbon emissions. **Fisher & Paykel Appliances' In-use Energy Carbon Emissions Estimate** indicates carbon emissions from a product's in-use energy. This is calculated either annually or per cycle, using the product's market-specific energy label energy consumption data multiplied by the carbon emissions factor for energy in your country or region.

Our In-use Energy Carbon Emissions Estimate is designed to assist customers in making informed purchasing decisions when comparing different Fisher & Paykel products. For example, a heat pump dryer typically has a lower In-use Energy Carbon Emissions Estimate than a vented dryer.